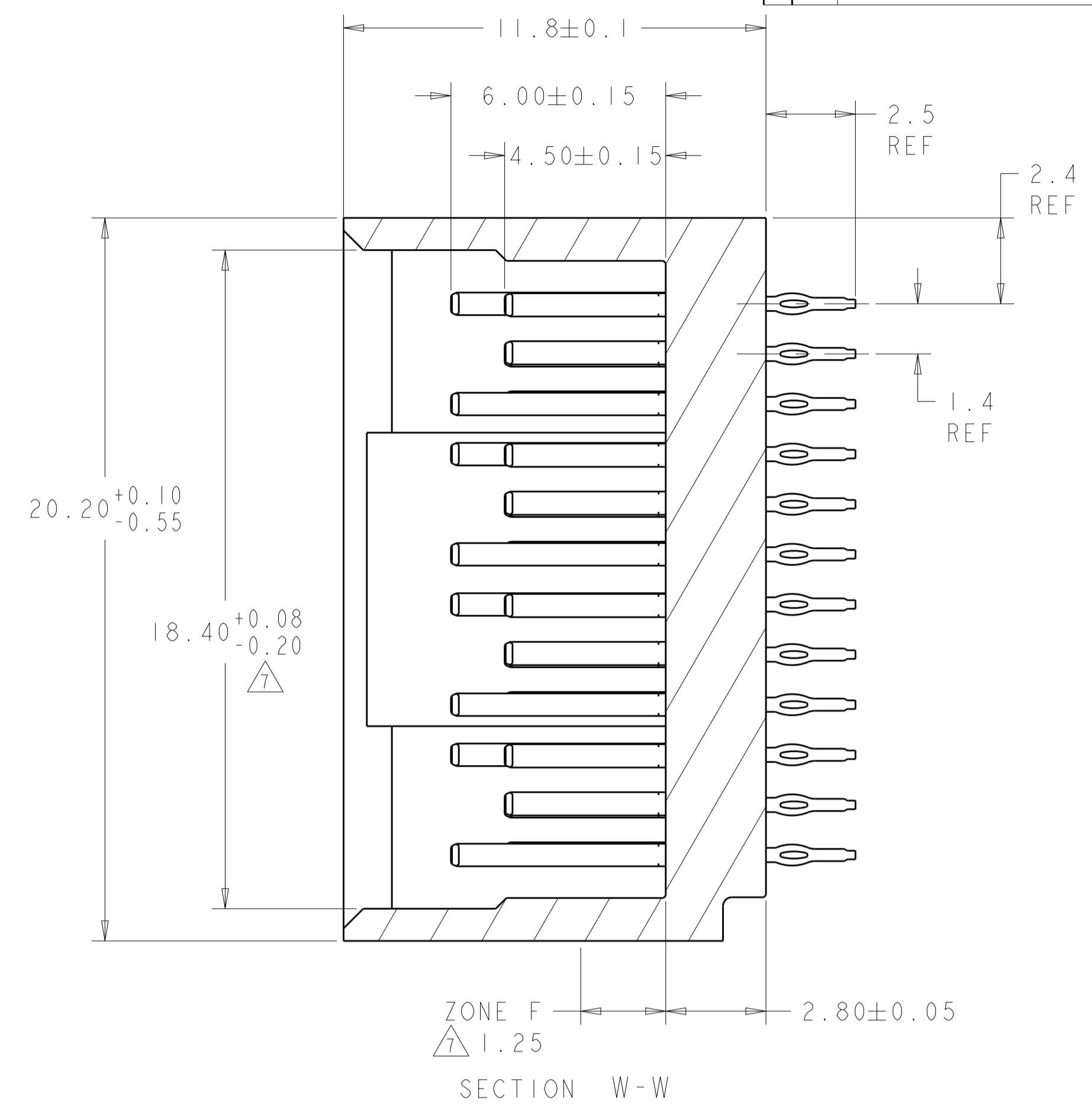
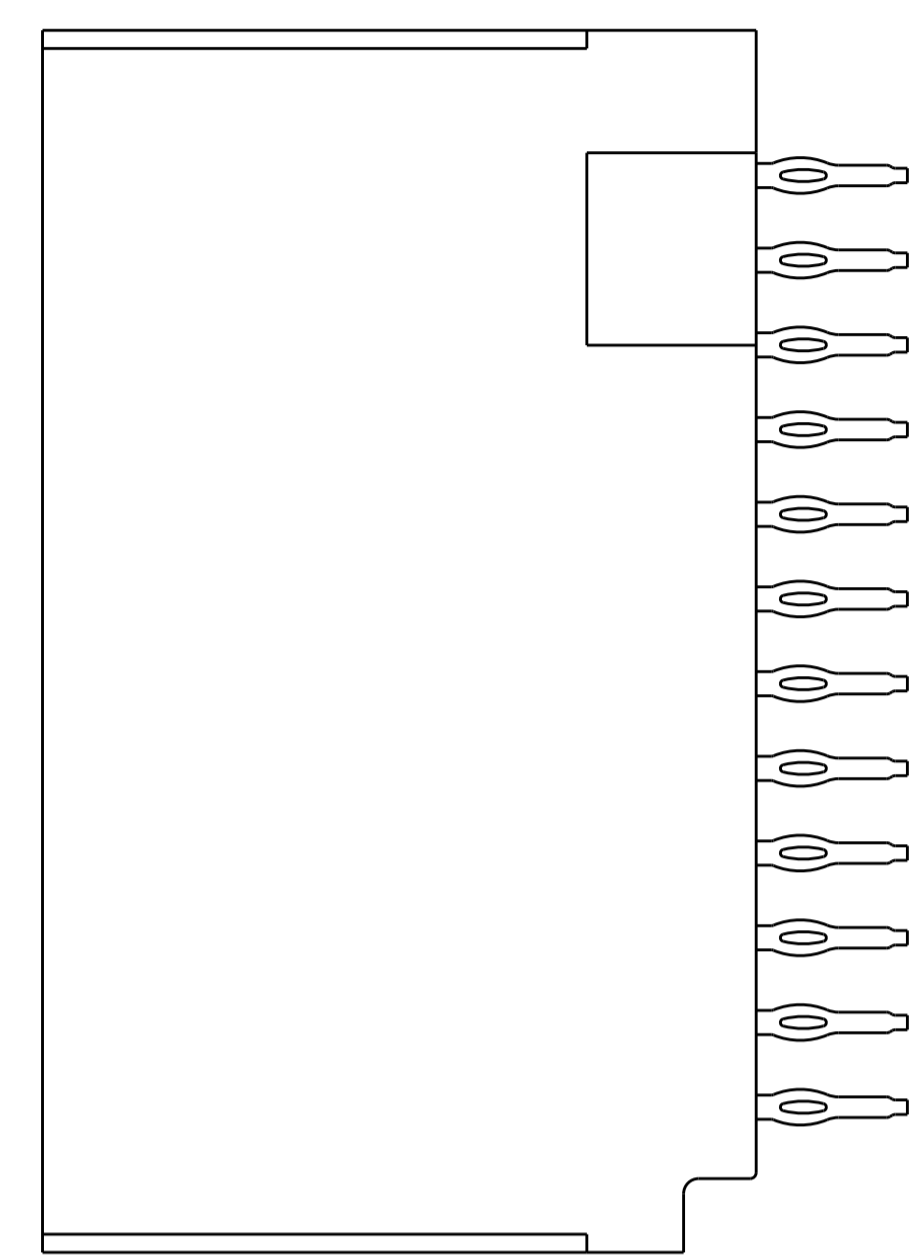
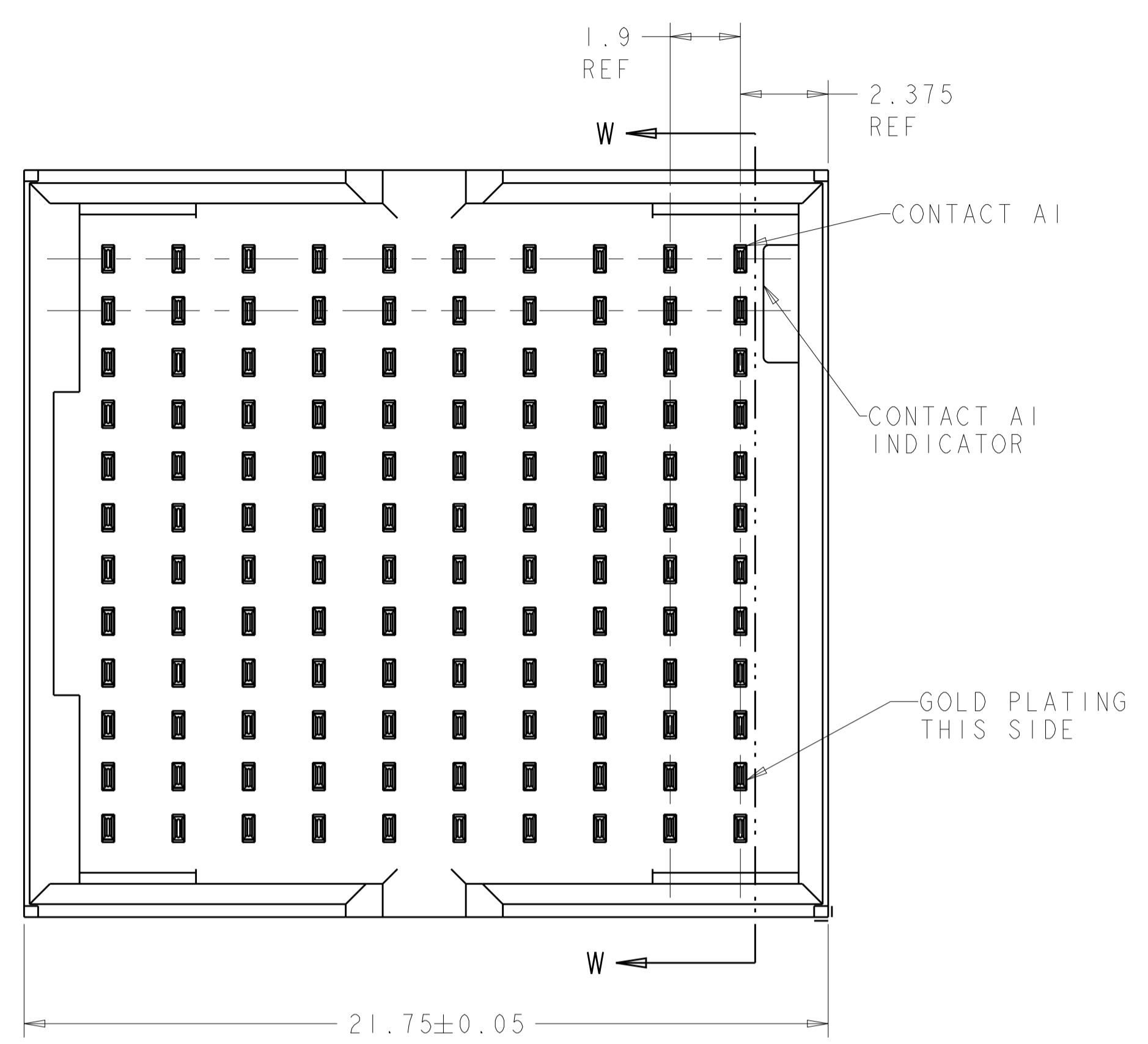
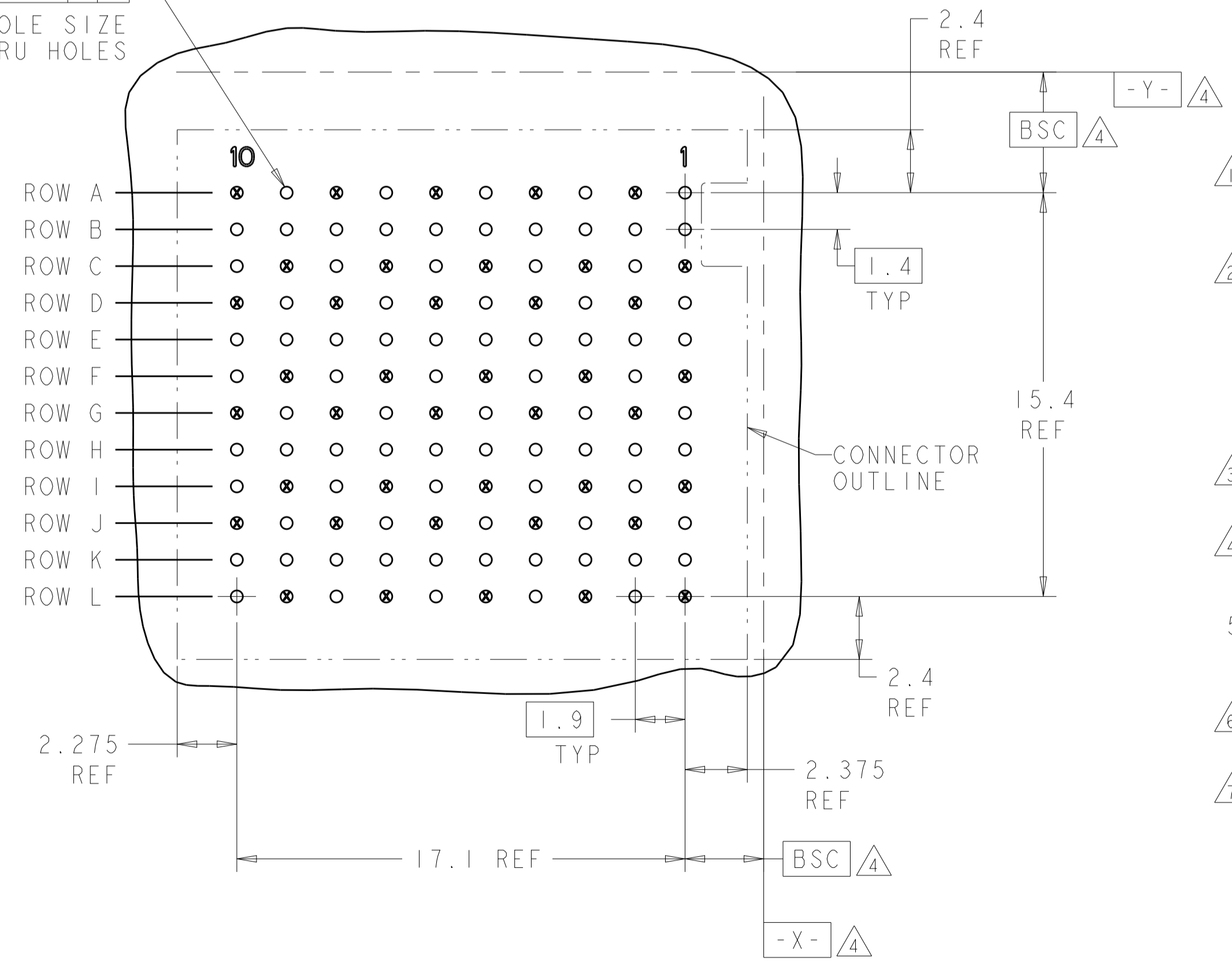


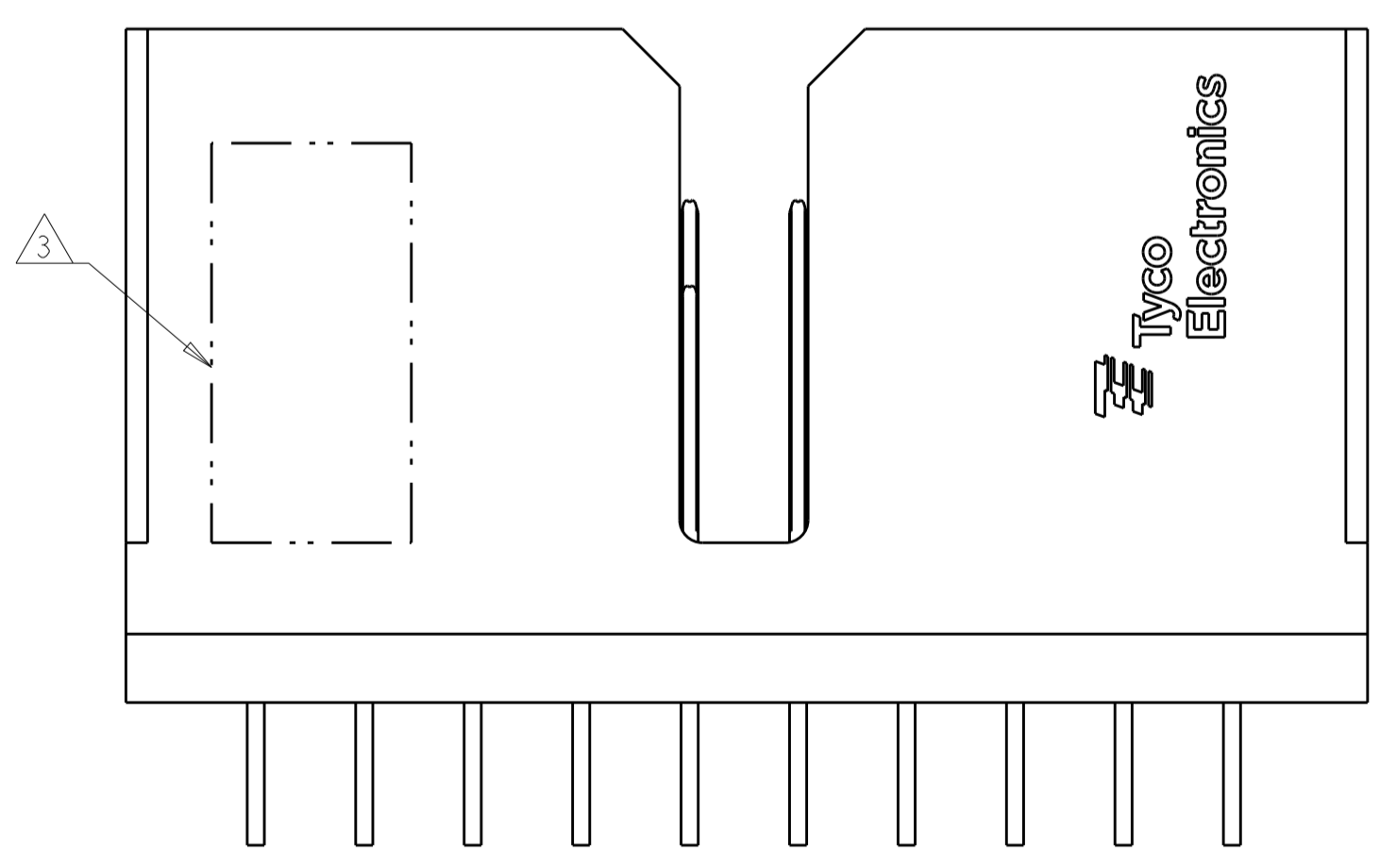
LOC		DIST		REVISIONS			
GP	00	P	LTN	DESCRIPTION	DATE	DWN	APVD
		F		REVISED PER ECO-13-010626	31JUL2013	KH	RP



⊕ Ⓞ 0.05 Ⓞ X Y  
FINISHED HOLE SIZE AND PLATED THRU HOLES



- ⚠ MATERIAL:  
CONTACT - PHOS BRONZE  
HOUSING - LCP, UL 94V-0, COLOR - BLACK
- ⚠ FINISH:  
CONTACT AREA FINISH CONFORMS TO THE REQUIREMENTS OF TE PRODUCT SPECIFICATION 108-2303; BASED ON TELCORDIA GR-1217-CORE FOR SYSTEM QUALITY LEVEL III, APPLICATIONS IN CONTROLLED ENVIRONMENTS (CENTRAL OFFICE).  
COMPLIANT PIN AREA- 0.5µm MIN MATTE TIN OVER 1.27µm MIN NICKEL.
- ⚠ CONNECTOR MARKED WITH PART NUMBER, DATE CODE AND STANDARD IN APPROXIMATE AREA SHOWN
- ⚠ DATUMS AND BASIC DIMENSIONS ESTABLISHED BY CUSTOMER.
- 5. CONTACT AREA LUBRICATED WITH BELLCORE APPROVED LUBRICANT. TECHNICAL REFERENCE GR-1217-CORE, ISSUE 1, NOVEMBER 1995.
- ⚠ REFERENCE APPLICATION SPEC 114-13202 FOR RECOMMENDED PLATED THRU HOLE DIAMETER AND PLATING THICKNESSES.
- ⚠ DIMENSION TO BE MEASURED IN ZONE F



○ = SIGNAL  
⊗ = GROUND  
RECOMMENDED PC BOARD LAYOUT BACKPLANE, COMPONENT SIDE SHOWN  
SCALE 6:1

1934312-1  
PART NUMBER

THIS DRAWING IS A CONTROLLED DOCUMENT.		DWN B. MCMASTER 14JUN2007	TE Connectivity
DIMENSIONS:		CHK W. DAVIS 14JUN2007	
mm	TOLERANCES UNLESS OTHERWISE SPECIFIED:	APVD W. DAVIS 14JUN2007	NAME
	0 PLC ± 1 PLC ± 2 PLC ± 3 PLC ± 4 PLC ± ANGLES ±	PRODUCT SPEC	HEADER ASSEMBLY, DOUBLE WALL, 4 PAIR 10 COLUMN
MATERIAL	FINISH	APPLICATION SPEC	TinMon
		WEIGHT	SIZE CAGE CODE DRAWING NO
CUSTOMER DRAWING		RESTRICTED TO	A100779C=1934312
SCALE 8:1		SHEET 1 OF 1	REV F