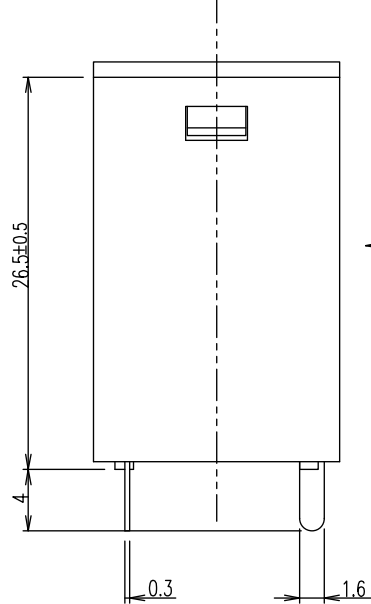
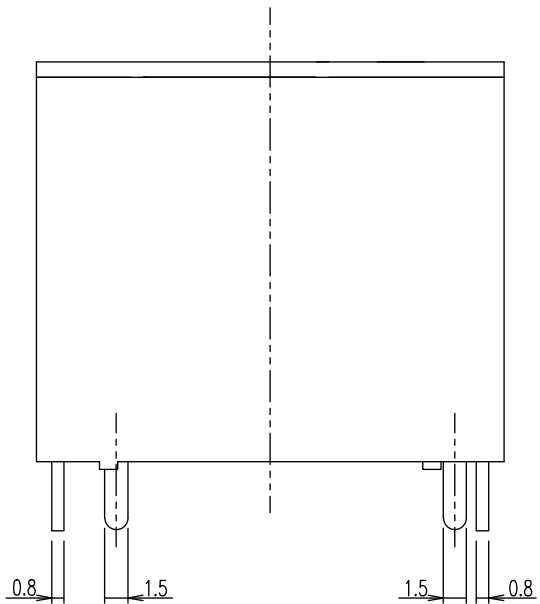
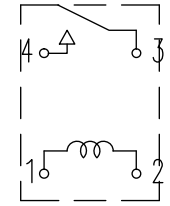


THIS DRAWING IS UNPUBLISHED. RELEASED FOR PUBLICATION
 © COPYRIGHT -- By -- ALL RIGHTS RESERVED.

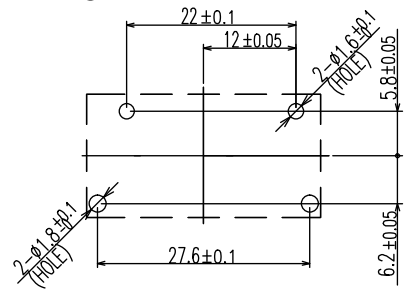
LOC	DIST	REVISIONS			
P	LTR	DESCRIPTION	DATE	DWN	APVD
HB	—	B1	REVISED PER ECO-11-005140	29-MAR-11	RK HMR
		B2	CHANGE TE LOGO; TERMINALS TOLERANCE CLARIFICATION; ADD LINE IDENTIFIER TO MARKING; PN OBSOLETE. ECO-12-008675	22-AUG-12	K.T. BH.Y



CONNECTION DIAGRAM



DRILLING DIAGRAM (BOTTOM VIEW)



VIEW C

"C"

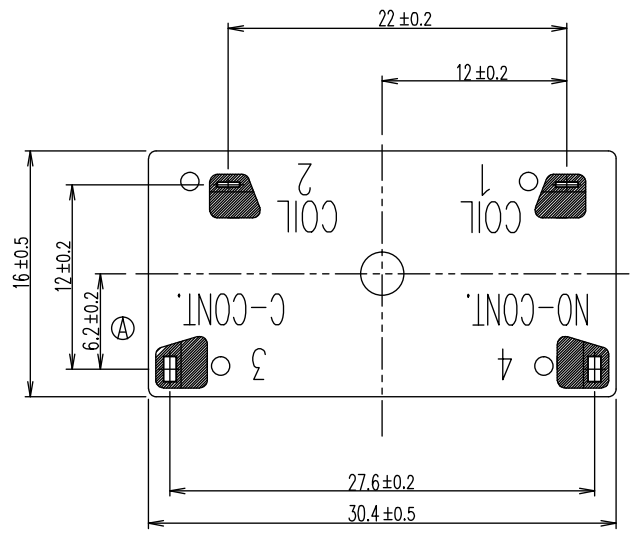
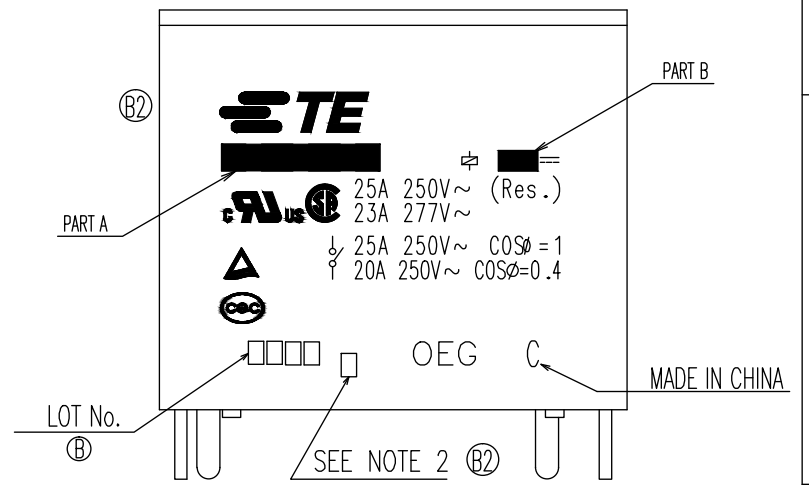


DIAGRAM DIMENSION	TOLERANCE
0.99mm MAX.	±0.1mm
1 - 2.99mm	±0.2mm
3mm MIN.	±0.3mm



THIS DRAWING IS A CONTROLLED DOCUMENT.		DWN H.SASAKI		TE Connectivity	
		CHK Y.OIKAWA			
DIMENSIONS: mm		TOLERANCES UNLESS OTHERWISE SPECIFIED:		NAME	
		0 PLC ±-		PRODUCT SPEC	
		1 PLC ±-		APPLICATION SPEC	
MATERIAL		FINISH		SIZE	
				A3	
				CAGE CODE	
				00779	
				DRAWING NO	
				C=1461193	
				RESTRICTED TO	
				-	
CUSTOMER DRAWING		SCALE		SHEET	
		3:1		1 OF 2	
				REV	
				B2	

4

3

2

1

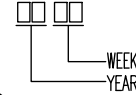
THIS DRAWING IS UNPUBLISHED. RELEASED FOR PUBLICATION
 © COPYRIGHT - By - ALL RIGHTS RESERVED.

LOC	DIST	REVISIONS			
P	LTR	DESCRIPTION	DATE	DWN	APVD
HB	-	SEE SHEET 1	-	-	-

ⓑ	ACTIVE	3-1419153-5	PCFN-112D2M,000	12V	PCFN-112D2M	k
ⓑ	OBSOLETE	1-1440008-8	PCFN-105D2M,000	5V	PCFN-105D2M	j
ⓑ	ACTIVE	1461193-9	PCFN-124D2M,000	24V	PCFN-124D2M	i
ⓑ	ACTIVE	1461193-8	PCFN-118D2M,000	18V	PCFN-118D2M	h
ⓑ	ACTIVE	1461193-7	PCFN-109D2M,000	9V	PCFN-109D2M	g
ⓑ	ACTIVE	1461193-6	PCFN-106D2M,000	6V	PCFN-106D2M	f
ⓑ	ACTIVE	1461193-5	PCFN-148D2M,000	48V	PCFN-148D2M	e
ⓐ	OBSOLETE	1461193-4	PCFN-124D2M,000	24V	PCFN-124D2M	d
ⓐ	OBSOLETE	1461193-3	PCFN-118D2M,000	18V	PCFN-118D2M	c
ⓐ	OBSOLETE	1461193-2	PCFN-109D2M,000	9V	PCFN-109D2M	b
ⓐ	OBSOLETE	1461193-1	PCFN-106D2M,000	6V	PCFN-106D2M	a
	PN STATUS	PART NO	DESCRIPTION	PART B	PART A	ITEM

RELAY TYPE

NOTE:

- ⓑ 1. LOT NO SYSTEM AS FOLLOWING:

- ⓑ 2. ONE CHARACTER DISTINGUISH THE LINE IDENTITY, SUCH AS: A, B...
- ⓑ 3. TERMINAL DIMENSION IS BEFORE SOLDER DIP.
- ⓑ 4. FOR THE TIN-PLATING OF THE PINS:
 +0.1mm FOR WIDTH, THICKNESS AND DIAMETER.
 +0.5mm FOR LENGTH.

		EPOXY RESIN	SEAL	17
		POLYURETHANE Cu WIRE	MAGNETIC WIRE	16
UL 94V-0		PPS	CARD	15
UL 94V-0		PBT	CASE	14
UL 94V-0		PBT	BASE	13
UL 94V-0		PBT	BOBBIN	12
	SOLDER DIP	Cu ALLOY	COIL TERMINAL R	11
	SOLDER DIP	Cu ALLOY	COIL TERMINAL L	10
		STAINLESS	HINGE SPRING	9
		Ag ALLOY	STATIONARY CONTACT	8
		Ag ALLOY	MOVABLE CONTACT	7
	SOLDER DIP	Cu ALLOY	MOVABLE SPRING	6
	SOLDER DIP	Cu ALLOY	STATIONARY TERMINAL	5
	SOLDER DIP	Cu ALLOY	MOVABLE TERMINAL	4
	Ni PLATED	STEEL	CORE	3
	Ni PLATED	STEEL	ARMATURE	2
	Ni PLATED	STEEL	YOKE	1
INCOMBUSTIBILITY	TREATMENT	MATERIAL	DESCRIPTION	ITEM

THIS DRAWING IS A CONTROLLED DOCUMENT.		DWN H.SASAKI	TE TE Connectivity													
DIMENSIONS: mm		CHK Y.OIKAWA														
TOLERANCES UNLESS OTHERWISE SPECIFIED:		APVD A.NAGAI	NAME PCFN-D2M SPEC,000													
<table border="0"> <tr><td>0 PLC</td><td>± -</td></tr> <tr><td>1 PLC</td><td>± -</td></tr> <tr><td>2 PLC</td><td>± -</td></tr> <tr><td>3 PLC</td><td>± -</td></tr> <tr><td>4 PLC</td><td>± -</td></tr> <tr><td>ANGLES</td><td>± -</td></tr> </table>		0 PLC	± -	1 PLC	± -	2 PLC	± -	3 PLC	± -	4 PLC	± -	ANGLES	± -	PRODUCT SPEC -	RESTRICTED TO -	
0 PLC	± -															
1 PLC	± -															
2 PLC	± -															
3 PLC	± -															
4 PLC	± -															
ANGLES	± -															
MATERIAL	FINISH -	APPLICATION SPEC -	SIZE A3	CAGE CODE 00779												
CUSTOMER DRAWING		WEIGHT -	DRAWING NO C=1461193	SCALE 3:1												
			SHEET 2 OF 2	REV B2												