

RED INDICATES ORIGINAL

DASH NO	CABLES ACCOMMODATED	ASSEMBLE PER
-7	TRC-50-2/TRC-75-2	TAI-189
-9	TWC-78-2/TWC-124-2	TAI-102
-23	250-3884 .MICRODOT	TAI-189
-24	202-3934 .MICRODOT	TAI-102
-24A	9530A5117 .RAYCHEM	TAI-189
-25	T-43M .GENERAL	TAI-102
-25A	502JH5331 .RAYCHEM	TAI-189
-26	7028A5518 .RAYCHEM	TAI-189
-27	202-3927 .MICRODOT	TAI-102
-29	TWC-78-1/TWC-124-1A	TAI-102
-30	761A .W. E. CO./8441 .BELDEN	TAI-189
-32	TRC-50-1	TAI-189
-33	TRC-75-1	TAI-189
-42	21-204 .ESSEX 4453 .CONSOLIDATED	TAI-189
-43	250-4044/250-4045 293-3930 .MICRODOT	TAI-189
-45	M27500-22TE2T14 1100-66F .STANDARD	TAI-102
-47	M17/176-00002	TAI-102
-49	TWAC-78-1F2	TAI-189
-55	89272 .BELDEN	TAI-189
-56	6C8756C1 .GRUMMAN	TAI-189
-57	6C8756B1 .GRUMMAN	TAI-102
-58	6C875TM24H .GRUMMAN	TAI-102
-59	6C875LN1 .GRUMMAN	TAI-189
-60	M17/177 .THERMATICS 380-10045 .BOEING	TAI-189
-64	7528A5314 .RAYCHEM	TAI-189

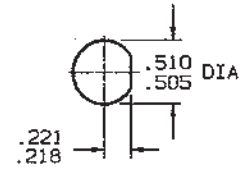
INCH	MM	INCH	MM
.005	0.13	.274	6.96
.096	2.44	.285	7.24
.125	3.18	.300	7.62
.132	3.35	.437	11.10
.145	3.68	.500	12.70
.160	4.06	.505	12.83
.164	4.17	.510	12.95
.183	4.65	.625	15.88
.191	4.85	.687	17.45
.198	5.03	.722	18.34
.200	5.08	.800	20.32
.217	5.51	1.314	33.38
.218	5.54	1.846	46.89
.221	5.61		
.235	5.97		

A IF BEND RELIEF SPRING REQD ADD SUFFIX "BR" TO MODEL NO (SEE FIG 2)

4. CONCENTRIC TWINAX/TRIAX 4 LUG TRB BULKHEAD MOUNT CABLE RECEPTACLE
3. MAX PANEL THK .160
2. FINISH: TFS-1A (NICKEL)
1. ALL DIM ARE IN INCHES

DWG #	DWG SIZE	DATA CONTAINED IN THIS DOCUMENT IS PROPRIETARY TO TROMPETER ELECTRONICS INC. AND SHALL NOT BE DISCLOSED, COPIED OR USED FOR PROCUREMENT OR MANUFACTURE WITHOUT EXPRESS WRITTEN PERMISSION.
H5	C	

REVISIONS			3-0052	SH 1	
REV	EO	DESCRIPTION	DWN	APPROVED	DATE
J	9320	-7, -23, -24A, -25A, -26, -32, -33, -42, -43, -56, -57, -60, -64. ASSY INSTR WAS TAI-104; AND GENERAL UPDATE	DKC	B.M. <i>[Signature]</i>	5/29/91



RECOMMENDED
PANEL CUTOUT
SCALE: 1/1

FIG 1
-7 SHOWN

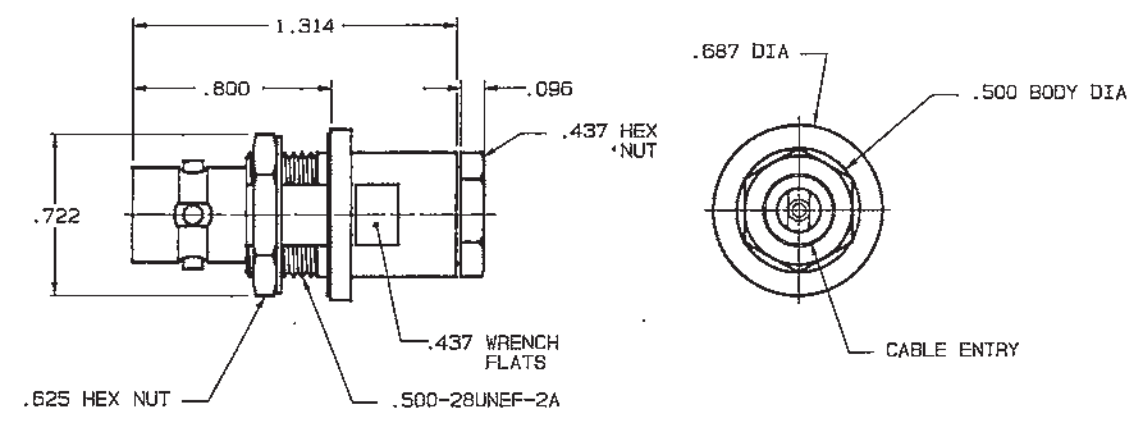
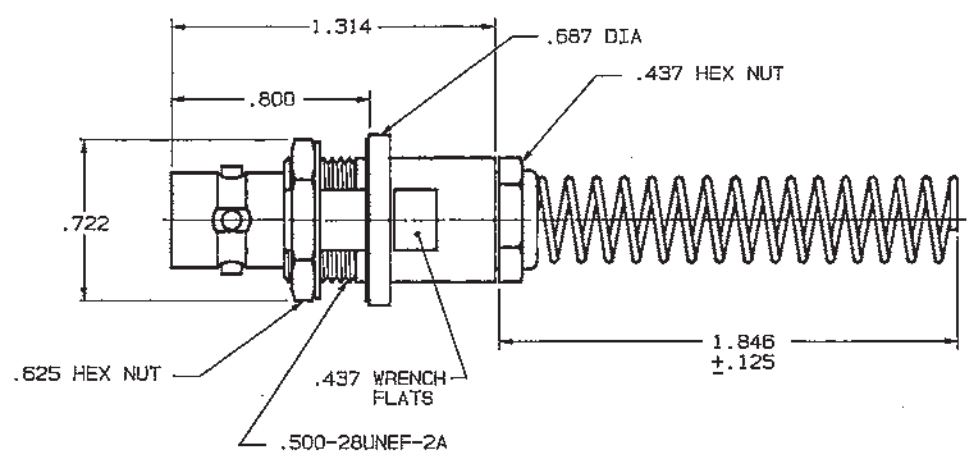


FIG 2 **A**
-7 SHOWN



CABLE ENTRY			
DASH NO	DIA	DASH NO	DIA
-7	.274	-33	.217
-9	.285	-42	.300
-23	.183	-43	.200
-24	.191	-45	.183
-24A	.200	-47	.184
-25	.285	-49	.132
-25A	.285	-55	.250
-26	.183	-56	.191
-27	.145	-57	.191
-29	.191	-58	.198
-30	.235	-59	.198
-32	.191	-60	.217

QTY	DESCRIPTION	PART NUMBER	ITEM
TOL UNLESS SPECIFIED .XX ± .XXX ± .005 .XXXX ± ANGLES ±	TROMPETER RF connectivity	BJ79FL/BJ79FLBR	
DWN	DKC	5-13-91	MATERIAL
CHK	B.M.	5-27-91	CODE IDENT
305-0515	ENGR		DRAWING NO.
NEXT ASSY	APPR		3-0052
			REV
			J
		SCALE 2/1	DATE 4-25-83
			SHEET 1 OF 2