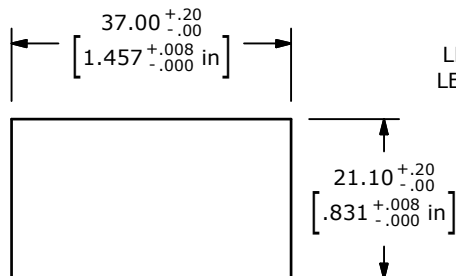
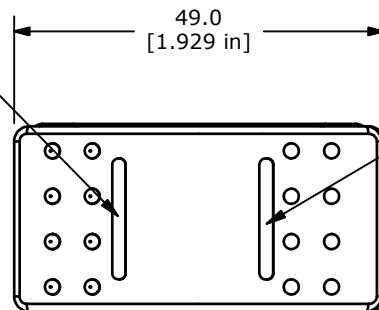


▲ SWITCH FUNCTION		
POS. 1	POS. 2	POS. 3
ON	OFF	ON
1-2	NONE	2-3

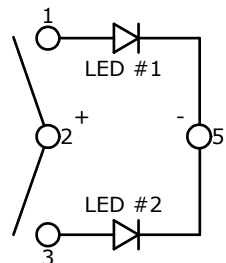


RECOMMENDED
PANEL CUT-OUT

LED #2 RED
LENS: WHITE



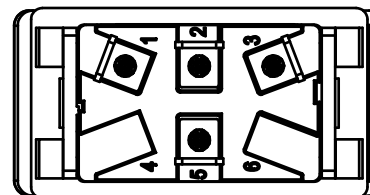
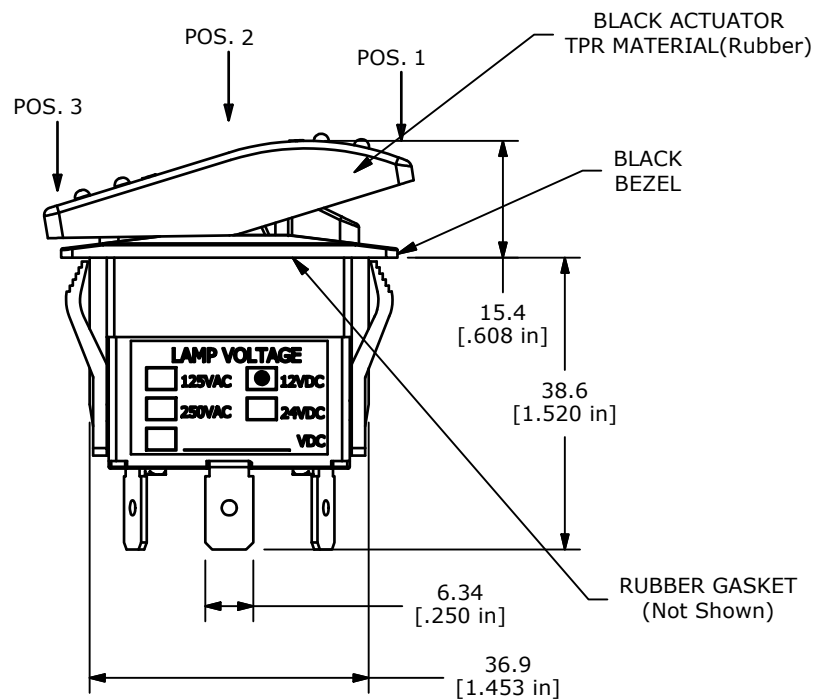
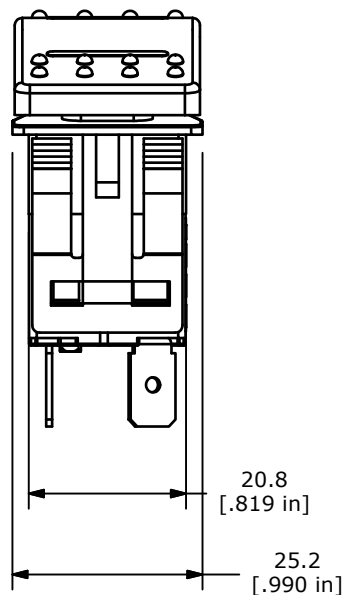
LED #1 GREEN
LENS: WHITE



CIRCUIT: SPDT
ON - OFF - ON

NOTES:

- ALL DIMENSIONS IN MM [INCH]
- GENERAL TOLERANCE: X.X=±0.4
X.XX=±0.25
- TERM. NOS. FOR REF. ONLY
- RATING: 16A @ 30VDC, 50/60 Hz, μT85/55
UL LISTED
- ELECTRICAL LIFE: 10,000 CYCLES
- MECHANICAL LIFE: 30,000 CYCLES
- CONTACT RESISTANCE: <20 MILLI-OHMS INITIAL
- DIELECTRIC STRENGTH: >1,500V AC 1MIN
- INSULATION RESISTANCE: >100 MOHMS @ 500VDC
- OPERATING TEMP: 0°C to 55°C
- LED VOLTAGE: 12VDC
- ▲ DENOTES CRITICAL PARAMETER.
- 2002/95/EC (ROHS) COMPLIANT



B	21355	Drawing Cleanup	1/15/14	rc
A	21252	New Release	8/14/13	rc
REV	PCR NO	DESCRIPTION	DATE	BY

TITLE R713FB4-SXXX2B4GRW				
SCALE 1:1	DATE 8/14/2013	DR rc	DWG C700016	REV B

THE INFORMATION CONTAINED IN THIS DOCUMENT IS PROPRIETARY TO E-SWITCH AND IS NOT TO BE COPIED OR TRANSFERRED