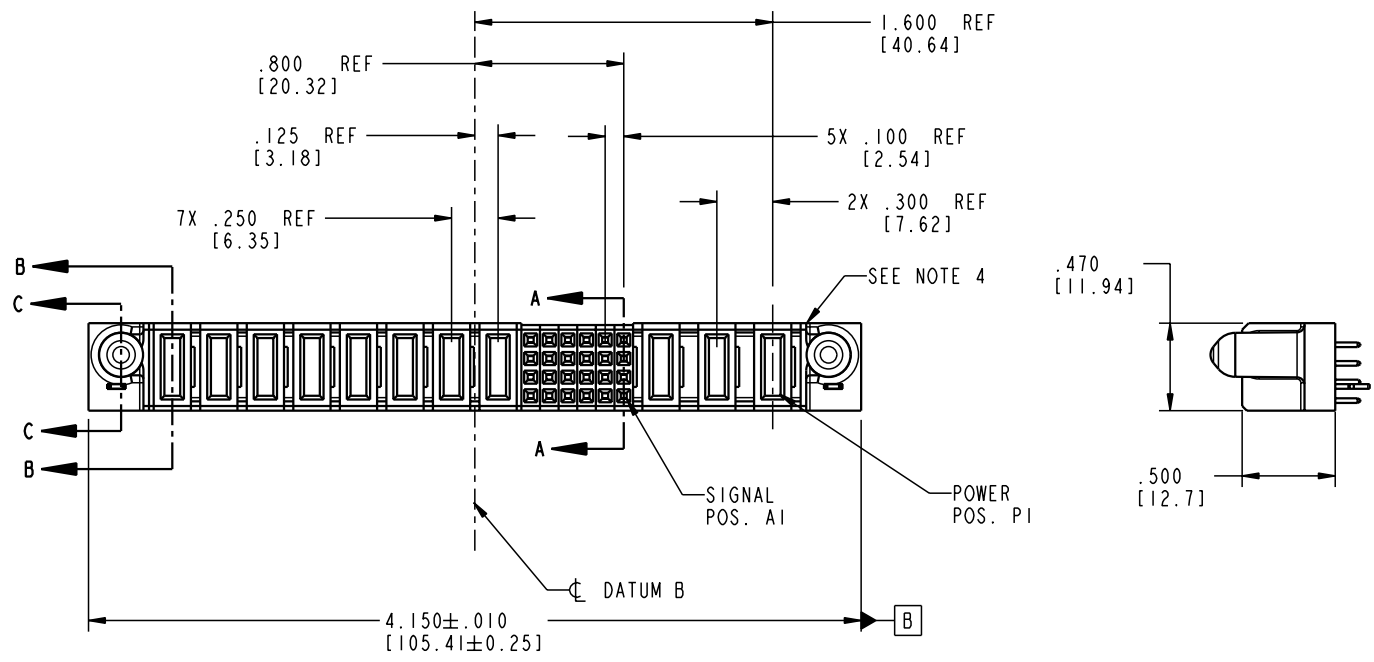


Tous droits strictement reserves. Reproduction ou communication a des tiers interdite sous quelque forme que ce soit sans autorisation écrite du propriétaire. Propriete de c FCI. Droits de reproduction FCI.

FCI

All rights strictly reserved. Reproduction or issue to third parties in any form whatever is not permitted without written authority from the proprietor. Property of FCI. Copyright FCI.

PRODUCT NO.	ROWS	POWER								SIGNAL					POWER			E1	
		E2	P11	P10	P9	P8	P7	P6	P5	P4	6	5	4	3	2	1	P3		P2
51940-052	D C B A		PA	PA	PD	PD	PA	PA	PD	PD	EEEEEE	EEEEEE	EEEEEE	EEEEEE	EEEEEE	PA	PD	PD	



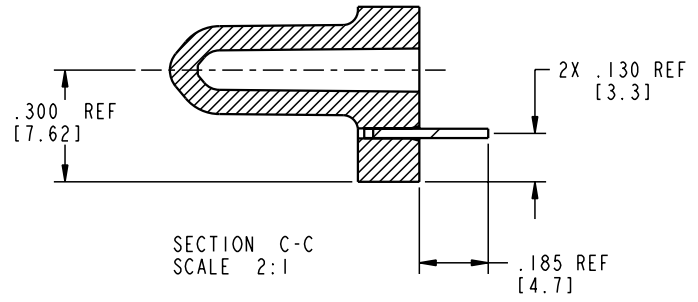
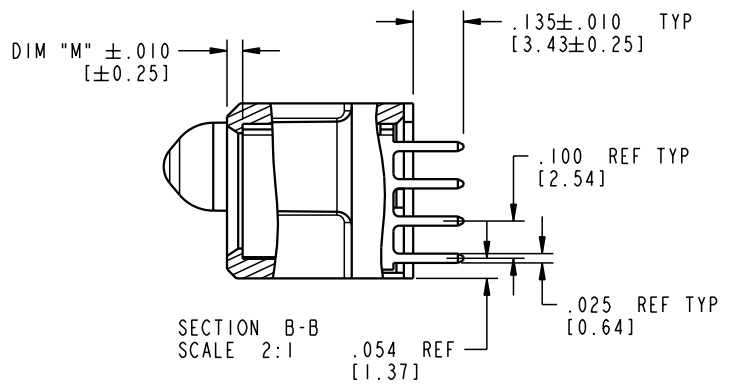
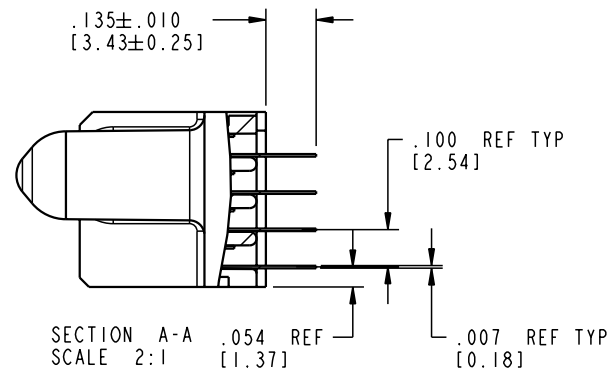
CODE	DIM "M" MATING LENGTH	CONTACT TYPE
E	N/A [N/A]	SIGNAL
PA	.042 [1.07]	POWER
PD	.092 [2.34]	POWER
HA	N/A [N/A]	HOLD-DOWN

mat'l code		SEE NOTE 2		tolerances unless otherwise specified		CUSTOMER		FCI www.fciconnect.com	
lfr	ecn no.	dr	date	linear	XX±.01/0.X±0.3	COPY		title	
A	V03-0841	MEM	7/30/03	projection	.XXX±.005/0.XX±0.13	INCH/MM		3ACP + 24S + 8P	
				angles	.XXX±.0020/0.XXX±0.051	scale		VERTICAL SOLDER RECEPT	
				dr	0°±2°	1:1		product family PwrBlade	
				enr	M. MOSTOLLER 7/30/03			code	
				chr	M. MOSTOLLER 7/30/03			213	
				appd	H. BREWBAKER 7/30/03			sheet	
					M. MOSTOLLER 7/30/03			1 of 4	
sheet index	revision	A	A	A	A				
	sheet	1	2	3	4				

Tous droits strictement reserves. Reproduction ou communication a des tiers interdite sous quelque forme que ce soit sans autorisation ecrite du proprietaire. Propriete de c FCI. Droits de reproduction FCI.

All rights strictly reserved. Reproduction or issue to third parties in any form whatever is not permitted without written authority from the proprietor. Property of FCI. Copyright FCI.

PRODUCT NUMBER
51940-052



mat'l code		SEE NOTE 2		tolerances unless otherwise specified		CUSTOMER		 www.fciconnect.com	
lfr	ecn no.	dr	date	linear	$XX \pm .01 / 0.X \pm 0.3$ $XXX \pm .005 / 0.XX \pm 0.13$ $XXXX \pm .0020 / 0.XXX \pm 0.051$	projection	title		
A				angles	$0^\circ \pm 2^\circ$		3ACP + 24S + 8P		
				dr	M. MOSTOLLER 7/30/03	 1:1	product family		code
				enr	M. MOSTOLLER 7/30/03		PwrBlade		213
				chr	H. BREWBAKER 7/30/03		size		sheet
				appd	M. MOSTOLLER 7/30/03		A 51940-052		2 of 4
sheet index	revision sheet								

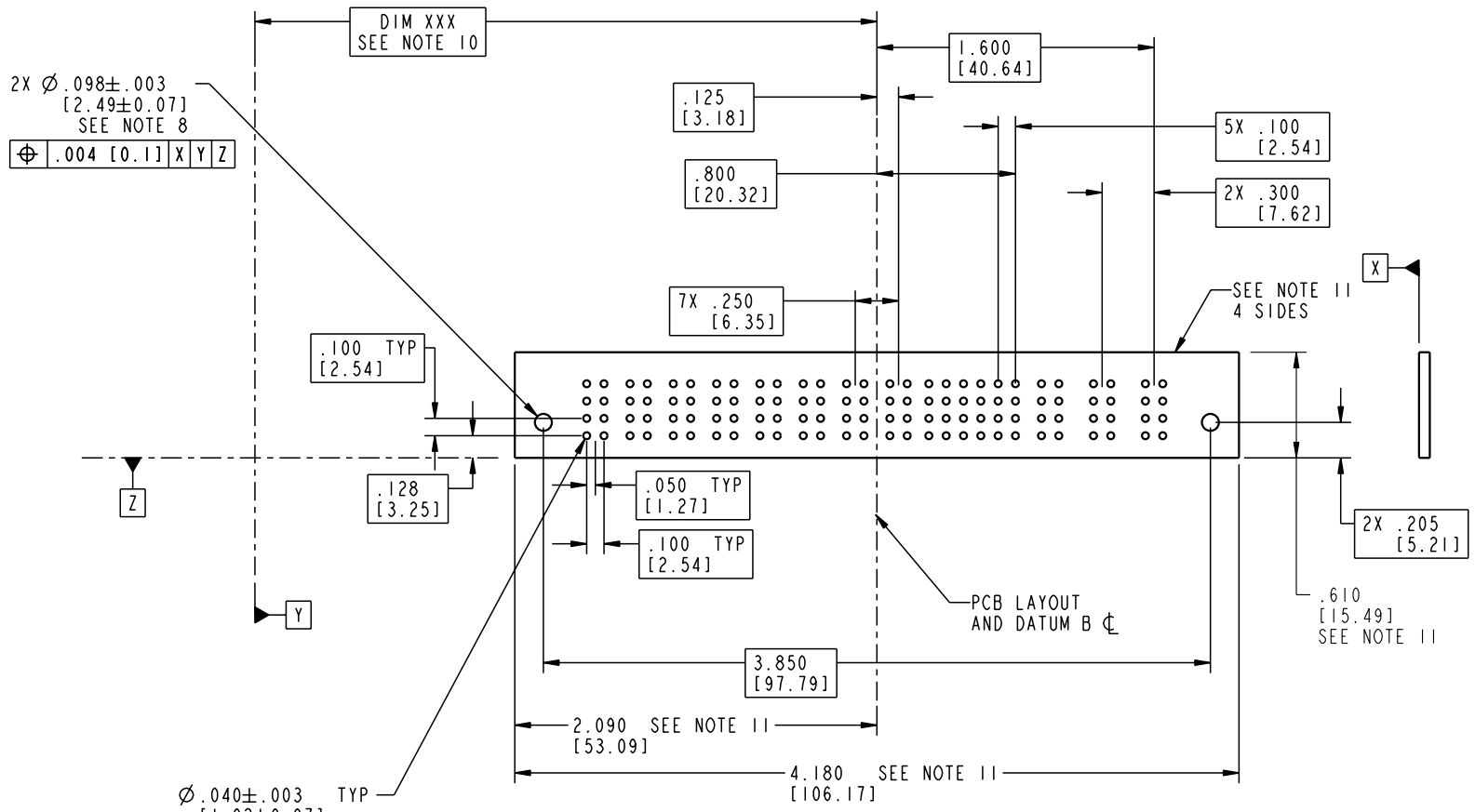
cage code 22526

Pro/E

Tous droits strictement reserves. Reproduction ou communication a des tiers interdite sous quelque forme que ce soit sans autorisation ecrite du proprietaire. Propriete de c FCI. Droits de reproduction FCI.

All rights strictly reserved. Reproduction or issue to third parties in any form whatever is not permitted without written authority from the proprietor. Property of FCI. Copyright FCI.

PRODUCT NUMBER
51940-052



mat'l code		SEE NOTE 2		tolerances unless otherwise specified		CUSTOMER		 www.fciconnect.com	
lfr	ecn no.	dr	date	linear	$XX \pm .01 / 0.X \pm 0.3$ $XXX \pm .005 / 0.XX \pm 0.13$ $XXXX \pm .0020 / 0.XXX \pm 0.051$	projection	title		code
A				angles	$0^{\circ} \pm 2^{\circ}$		3ACP + 24S + 8P VERTICAL SOLDER RECEPT		213
				dr	M. MOSTOLLER 7/30/03	 1:1	product family		sheet
				enrg	M. MOSTOLLER 7/30/03		PwrBlade		3 of 4
				chr	H. BREWBAKER 7/30/03		size		
				appd	M. MOSTOLLER 7/30/03		dwg no		
sheet index	revision						A 51940-052		
	sheet						cage code 22526		

Pro/E

cage code 22526

Tous droits strictement reserves. Reproduction ou communication a des tiers interdite sous quelque forme que ce soit sans autorisation écrite du propriétaire. Propriete de c FCI. Droits de reproduction FCI.



All rights strictly reserved. Reproduction or issue to third parties in any form whatever is not permitted without written authority from the proprietor. Property of FCI. Copyright FCI.

1 | 2

3 |

4

PRODUCT NUMBER
51940-052

NOTES:

1. DIMENSIONS AND TOLERANCES ARE IN ACCORDANCE WITH ASME Y14.5M, 1994 UNLESS OTHERWISE SPECIFIED.

CONNECTOR NOTES:

2 HOUSING MATERIAL: UL 94 V-0 GLASS FILLED
HIGH-TEMP THERMOPLASTIC
POWER CONTACT MATERIAL: COPPER ALLOY
SIGNAL PIN MATERIAL: COPPER ALLOY

3. PLATING:
SIGNAL PINS: 30u"/0.76um Au OVER 50u"/1.27um Ni
POWER CONTACTS: 50u"/1.27um Ni UNDER ALL WITH 30u"/0.76um Au ON CONTACT AREA AND SnPb ON PCB INTERFACE

4 MANUFACTURER'S NAME, P/N, AND DATE CODE TO APPEAR ON THIS SURFACE.

5. PRODUCT SPECIFICATION GS-12-149.
APPLICATION SPECIFICATION BUS-20-067.

6. PACKAGED IN TRAYS.

PCB NOTES:

7. ALL HOLE DIAMETERS ARE FINISHED HOLE SIZE.

8 MOUNTING HOLES, WHERE APPLICABLE, ARE UNPLATED.

9 $\varnothing .0453 \pm .0010$ [1.151 \pm 0.025] DRILLED HOLES PLATED WITH .0003 [0.008] MIN SnPb OVER .001 [0.03] TO .003 [0.08] Cu PLATING TO ACHIEVE $\varnothing .040 \pm .003$ [1.02 \pm .07] HOLE.

10 "DIM XXX" TO BE DETERMINED BY THE CUSTOMER.

11 CONNECTOR KEEP-OUT ZONE.

mat'l code		SEE NOTE 2		tolerances unless otherwise specified		CUSTOMER		www.fciconnect.com		
lfr	ecn no.	dr	date	linear	$.XX \pm .01 / 0.X \pm 0.3$ $.XXX \pm .005 / 0.XX \pm 0.13$ $.XXXX \pm .0020 / 0.XXX \pm 0.051$	projection	title		code	
A				angles	$0^{\circ} \pm 2^{\circ}$		3ACP + 24S + 8P VERTICAL SOLDER RECEPT		213	
				dr	M. MOSTOLLER 7/30/03	INCH/MM	product family		sheet	
				enrg	M. MOSTOLLER 7/30/03		PwrBlade		4 of 4	
				chr	H. BREWBAKER 7/30/03		scale	A 51940-052		
				appd	M. MOSTOLLER 7/30/03		1:1			
sheet index	revision sheet									

1 | 2

Pro/E

3 |

coge code 22526

4