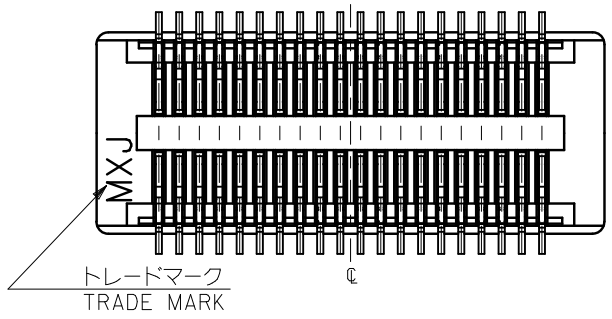


参考基板レイアウト (マウント面)
P.C.BOARD PATTERN
DIMENSION. (REF.)
(MOUNTING AREA)

30極以下品形状
SHAPE OF 30 CIRCUITS OR LESS

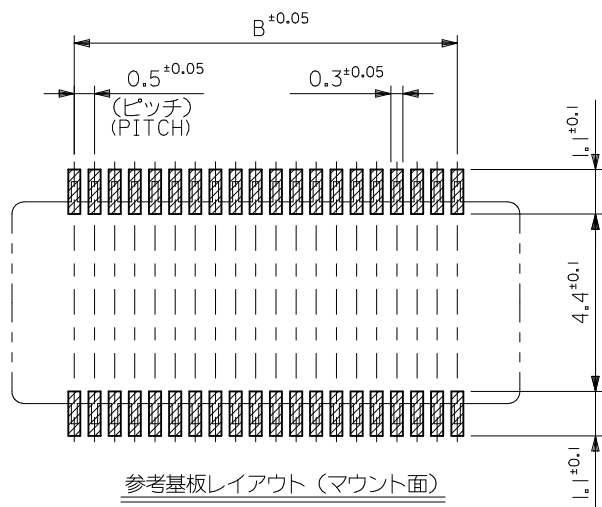
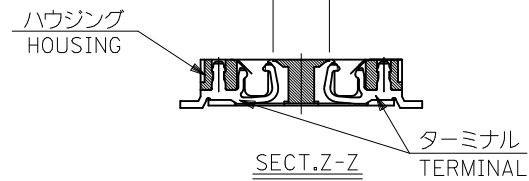
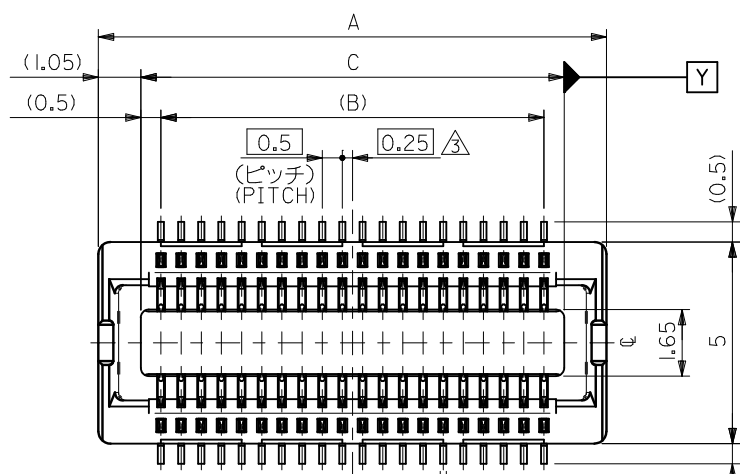


- 注記 NOTES:
1. 使用材料 MATERIAL
 ハウジング: 液晶ポリマー ガラス充填, UL94V-0 (黒)
 HOUSING: LIQUID CRYSTAL POLYMER (GLASS FILLED)
 UL94V-0, (COLOR: BLACK)
 ターミナル: リン青銅 (t=0.15)
 TERMINAL: PHOSPHOR BRONZE (t=0.15)
 2. メッキ仕様 PLATING
 金メッキ 0.25 MICROMETER MINIMUM (コンタクト部)
 GOLD 0.25 MICROMETER MINIMUM. (CONTACT AREA)
 金メッキ 0.4 MICROMETER MAXIMUM (テール部)
 GOLD 0.4 MICROMETER MAXIMUM. (TAIL AREA)
 下地メッキ: ニッケルメッキ 1.5 MICROMETER MINIMUM
 UNDER PLATING: NICKEL 1.5 MICROMETER MINIMUM

- △ (全極数/2) = 偶数の場合に適用。
 APPLY FOR (CIRCUIT/2) = EVEN.
 4 嵌合相手: 55560 シリーズ, 53794 シリーズ
 MATE WITH: 55560 SERIES, 53794 SERIES.
 5 テール平坦度は 0.1 MAXIMUM.
 TAIL COPLANARITY TO BE 0.1 MAXIMUM.

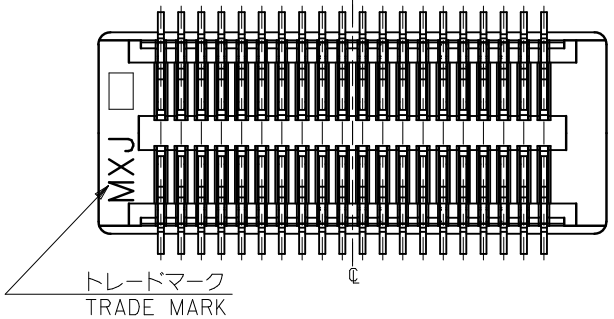
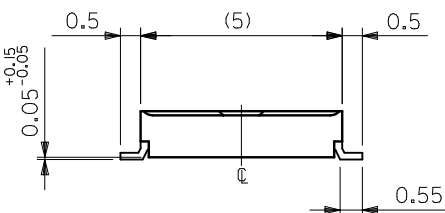
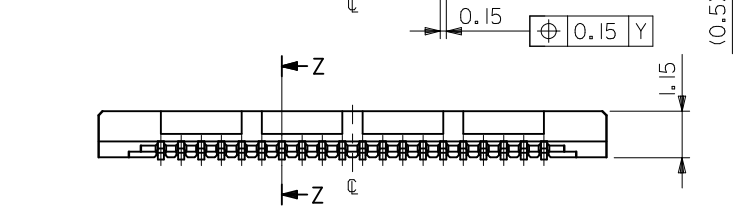
8.0	7.0	10.1	54722-0301	30
6.5	5.5	8.6	54722-0241	24
6.0	5.0	8.1	54722-0221	22
5.5	4.5	7.6	54722-0201	20
4.5	3.5	6.6	54722-0161	16
C	B	A	MATERIAL. NO	極数 CIRCUIT

REVISED EC NO: J2010-1532 DRW: KYAMANE 2010/02/01 CHKD: SARUYAMA 2010/02/01 APPR: MASASAO 2010/02/01	GENERAL TOLERANCES (UNLESS SPECIFIED)		DIMENSION STYLE MM ONLY		SCALE ---	DESIGN UNITS METRIC	THIRD ANGLE PROJECTION
	10 UNDER	±0.20	DRAWN BY S. AIHARA	DATE 2000/10/05	TITLE 0.5 B-TO-B CONN REC HOUSING ASSY (HGT=1.5) (SHEET 1 OF 2)		
	10 OVER 30 UNDER	±0.25	CHECKED BY T. ITO	DATE 2000/10/05	MOLEX INCORPORATED		
	30 OVER	±0.3	APPROVED BY M. FUKUSHIMA	DATE 2000/10/05	DOCUMENT NO. SD-54722-007	SHEET NO. 1 OF 2	
	ANGULAR ±3 °	DRAFT WHERE APPLICABLE MUST REMAIN WITHIN DIMENSIONS		SEE CHART			
		THIS DRAWING CONTAINS INFORMATION THAT IS PROPRIETARY TO MOLEX INCORPORATED AND SHOULD NOT BE USED WITHOUT WRITTEN PERMISSION					



参考基板レイアウト (マウント面)
P.C.BOARD PATTERN
DIMENSION. (REF.)
(MOUNTING AREA)

34極以上品形状
SHAPE OF 34CIRCUITS OR MORE



注記 NOTES:

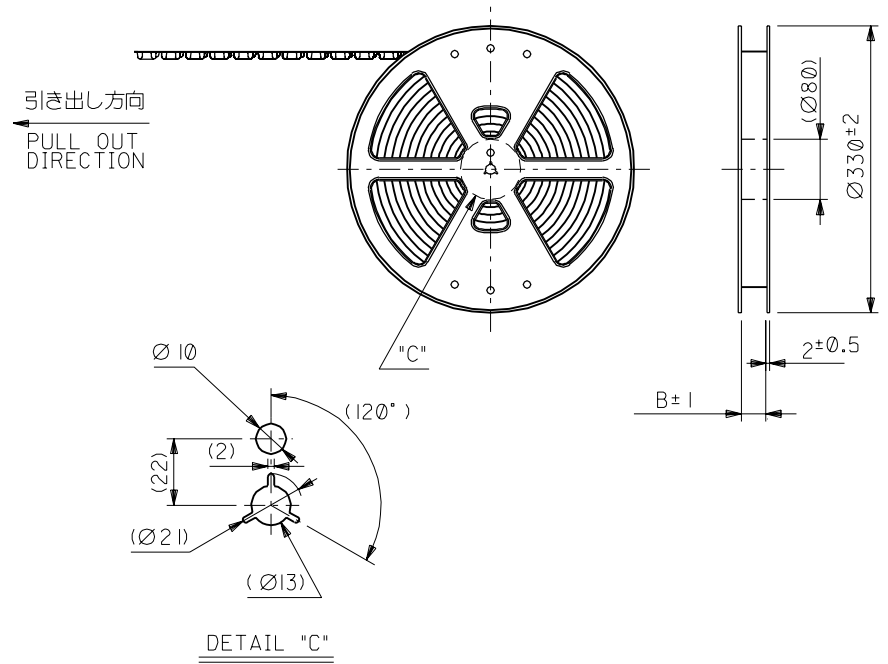
- 使用材料 MATERIAL
ハウジング: 液晶ポリマー ガラス充填, UL94V-0 (黒)
HOUSING: LIQUID CRYSTAL POLYMER (GLASS FILLED)
UL94V-0, (COLOR: BLACK)
ターミナル: リン青銅 (t=0.15)
TERMINAL: PHOSPHOR BRONZE (t=0.15)
- メッキ仕様 PLATING
金メッキ 0.25 MICROMETER MINIMUM (コンタクト部)
GOLD 0.25 MICROMETER MINIMUM. (CONTACT AREA)
金メッキ 0.4 MICROMETER MAXIMUM (テール部)
GOLD 0.4 MICROMETER MAXIMUM. (TAIL AREA)
下地メッキ: ニッケルメッキ 1.5 MICROMETER MINIMUM
UNDER PLATING : NICKEL 1.5 MICROMETER MINIMUM

- △ (全極数/2) = 偶数の場合に適用。
APPLY FOR (CIRCUIT/2)=EVEN.
4 嵌合相手: 55560 シリーズ, 53794 シリーズ
MATE WITH : 55560 SERIES, 53794 SERIES.
5 テール平坦度は 0.1 MAXIMUM.
TAIL COPLANARITY TO BE 0.1 MAXIMUM.

20.5	19.5	22.6	54722-0801	80
15.5	14.5	17.6	54722-0601	60
13.0	12.0	15.1	54722-0501	50
10.5	9.5	12.6	54722-0401	40
9.0	8.0	11.1	54722-0341	34
C	B	A	MATERIAL. NO	極数 CIRCUIT

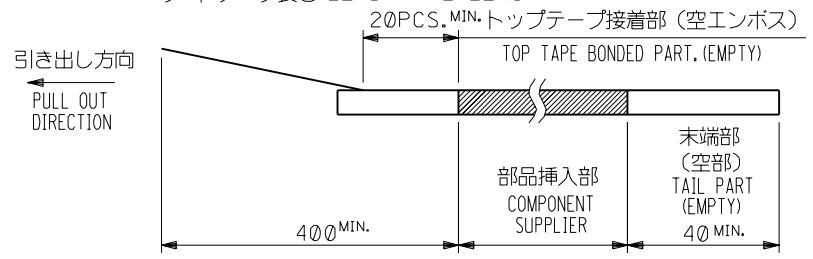
MODEL NO. 54722-***1

SEE SHEET 1 OF 2 EC NO: J2010-1532 DRW: KYAMANE 2010/02/01 CHKD: SMARUYAMA 2010/02/01 APPR: MASASAO 2010/02/01	GENERAL TOLERANCES (UNLESS SPECIFIED)		DIMENSION STYLE MM ONLY		SCALE ---	DESIGN UNITS METRIC	THIRD ANGLE PROJECTION	
	10 UNDER	±0.20	DRAWN BY S. AIHARA	DATE 2001/02/13	TITLE 0.5 B-TO-B CONN REC HOUSING ASSY (HGT=1.5) (SHEET 2 OF 2)			
	10 OVER 30 UNDER	±0.25	CHECKED BY T. ITO	DATE 2001/02/13	MOLEX INCORPORATED			
	30 OVER	±0.3	APPROVED BY M. FUKUSHIMA	DATE 2001/02/13	DOCUMENT NO. SD-54722-007	SHEET NO. 2 OF 2		
	ANGULAR ±3 °	DRAFT WHERE APPLICABLE MUST REMAIN WITHIN DIMENSIONS		SEE CHART		THIS DRAWING CONTAINS INFORMATION THAT IS PROPRIETARY TO MOLEX INCORPORATED AND SHOULD NOT BE USED WITHOUT WRITTEN PERMISSION		

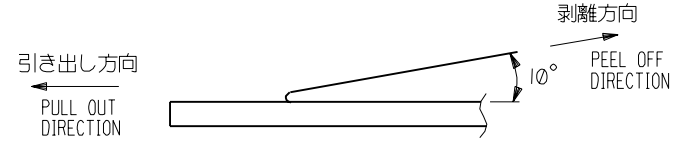


NOTES

- 製品詳細寸法については図面 SD-54722-007 を参照下さい。
RE DETAILED DIMENSION, SEE SD-54722-007
- 梱包数量：2000個/リール
NUMBER OF CONNECTORS : 2000PCS/REEL
- リードテープ長さ LEAD TAPE LENGTH



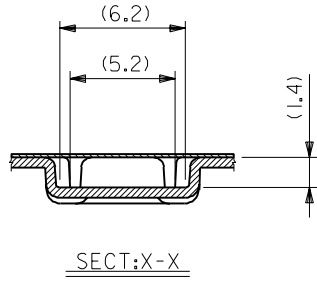
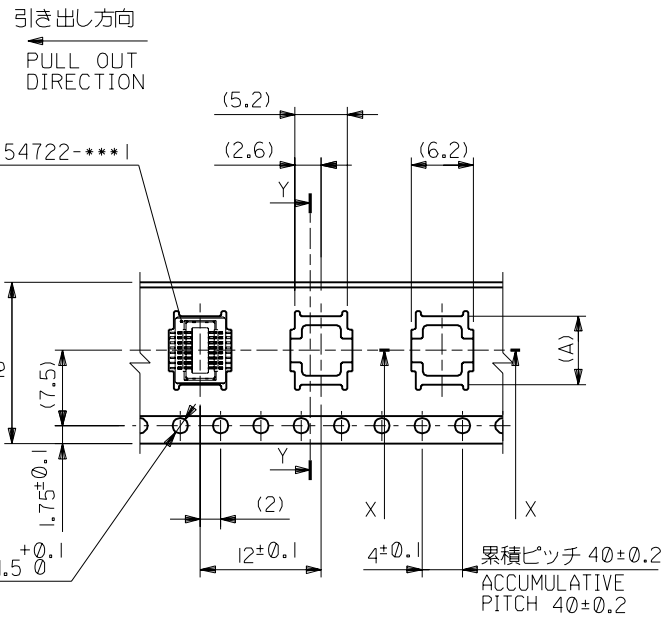
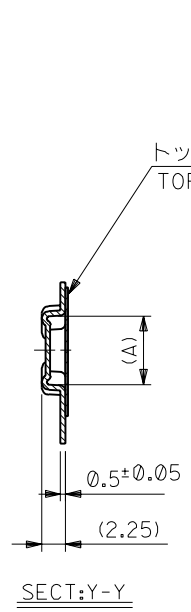
- トップテープの剥離強度：0.1N ~ 0.7N(10.2gf ~ 71.4gf)
(剥離方向は下図参照)
尚、本規格値は出荷時に適用。(但し、輸送時に剥離が発生しないこと。)
PEELING OFF FORCE OF TOP TAPE : 0.1N ~ 0.7N(10.2gf ~ 71.4gf)
(PEELING DIRECTION AS SHOWN IN FOLLOWING FIG.)
THIS REQUIREMENT SHOULD BE APPLIED AT SHIPMENT.
PEEL OFF SHOULD NOT BE ALLOWED , DURING TRANSPORTATION.



- 材料(MATERIAL)
キャリアテープ：ポリプロピレン (PP)
CARRIER TAPE : POLYPROPYLENE (PP)
トップテープ：PET, PE, PEF
TOP TAPE : PET, PE, PEF
リール：ポリスチレン (PS) <リサイクル材を含む>
REEL : POLYSTYRENE (PS) <RECYCLE MATERIAL CONTAINED>

MODEL NO.	54722-***8	DIMENSIONS:	SHT	REV
DESIGN UNITS	mm INCH	<input type="checkbox"/> mm <input type="checkbox"/> INCH <input checked="" type="checkbox"/> mm ONLY		REVISE ON CAD ONLY
SCALE	1:1	PROJECTION		
GENERAL TOLERANCES: (UNLESS SPECIFIED) 一般公差	10 UNDER 未満	±0.2	DRAWN BY & DATE S.AIHARA '00/11/28	
	10 OVER 30 UNDER 未満	±0.25	CHECKED BY & DATE T.IITO '01/09/19	
	30 OVER 以上	±0.3	APPROVED BY & DATE T.YAMAGUCHI '01/09/19	
	ANGLE 角度	±3°	CAD FILENAME 54722010.S01	
			MATERIAL NO.	DRAWING NO.
			SEE CHART	SD-54722-010
			SHEET NO.	1 OF 3
			SIZE	B

DWG. NO. SD-54722-010



16mm幅キャリアテープ
16mm WIDTH CARRIER TAPE

16	17.5	6.8	54722-0168	16
キャリアテープ幅 CARRIER TAPE WIDTH		B	(A)	極数 CIRCUIT
MODEL NO.		54722-***8		DIMENSIONS:
				SHT REV

04 NO. DRWN: CH'K: APPR:	03 NO. DRWN: CH'K: APPR:	02 NO. DRWN: CH'K: APPR:	REVISED '01/09/19 01 NO. J2002-0650 DRWN: R.TAKEUCHI CH'K: T.IITO APPR: T.YAMAGUCHI	PROPOSED 03 NO. JC2001-0402 DRWN: S.AIHARA '00/11/28 CH'K: T.IITO APPR: M.FUKUSHIMA
			A	0

MATERIAL 材料	SHEET 1 OF 3 参照 REFER TO SHEET 1 OF 3	
FINISH 仕上げ	//	
WIRE RANGE 適用線径範囲	//	
INS. RANGE 被覆外径	//	

GENERAL TOLERANCES: (UNLESS SPECIFIED) 一般公差		SCALE 1:1	DESIGN UNITS mm	3RD ANGLE PROJECTION
10 UNDER 未満	±0.2	DRAWN BY & DATE S.AIHARA '00/11/28		
10 OVER 30 UNDER 未満	±0.25	CHECKED BY & DATE T.IITO '01/09/19		
30 OVER 以上	±0.3	APPROVED BY & DATE T.YAMAGUCHI '01/09/19		
ANGLE 角度	±3°	CAD FILENAME 54722010.S02		

TITLE: 0.5 B-To-B Conn Rec Assy (Hgt=1.5) Embstp Pkg			
MOLEX MOLEX INCORPORATED			
MATERIAL NO. SEE CHART	DRAWING NO. SD-54722-010	SHEET NO. 2 OF 3	
THIS DRAWING CONTAINS INFORMATION THAT IS PROPRIETARY TO MOLEX INCORPORATED AND SHOULD NOT BE USED WITHOUT WRITTEN PERMISSION.			SIZE B

DO NOT SCALE DRAWING

DWG. NO. SD-54722-010

F

D

V

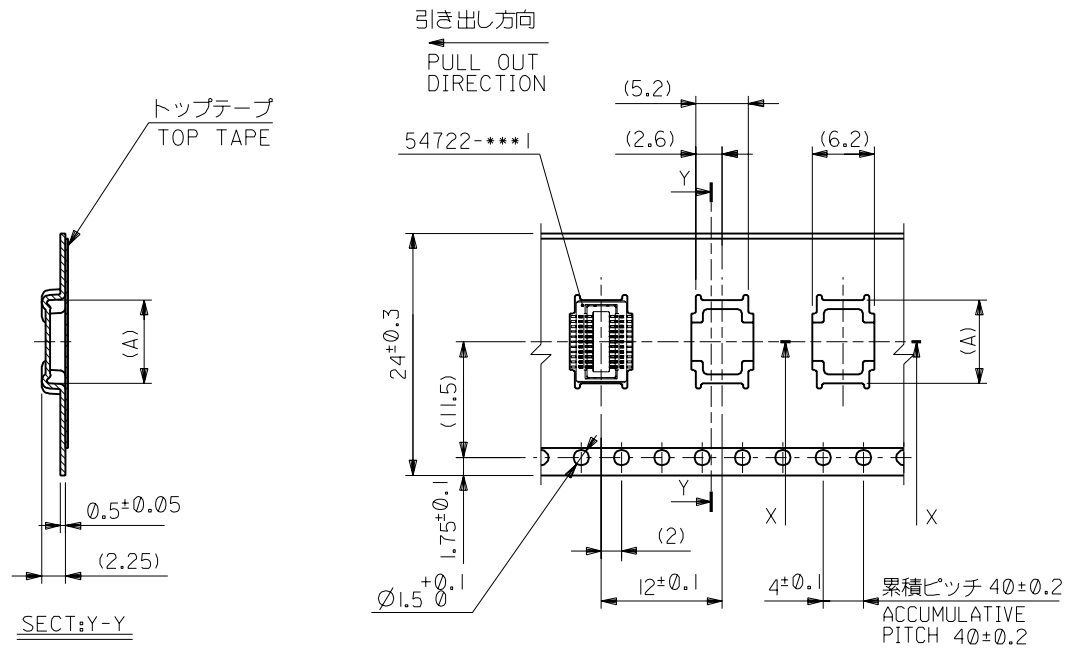
C

B

DO NOT SCALE DRAWING

8 7 6 5 4 3 2 1

F
E
D
C
B
A



24mm幅キャリアテープ
24mm WIDTH CARRIER TAPE

24	25.5	10.3	54722-0308	30
		8.3	54722-0228	22
キャリアテープ幅 CARRIER TAPE WIDTH	B	(A)	MATERIAL NO.	極数 CIRCUIT
MODEL NO.	54722-***8		DIMENSIONS:	SHT REV

064 NO. DRWN: CH'K: APPR:	063 NO. DRWN: CH'K: APPR:	062 NO. DRWN: CH'K: APPR:	REVISED: '01/09/19 061 NO. J2002-0650 DRWN: R.TAKEUCHI CH'K: T.IITO APPR: T.YAMAGUCHI	PROPOSED 060 NO. JC2001-0402 DRWN: S.AIHARA '00/11/28 CH'K: T.IITO APPR: M.FUKUSHIMA
A			0	

MATERIAL 材料	SHEET 1 OF 3 参照 REFER TO SHEET 1 OF 3		
FINISH 仕上げ	//		
WIRE RANGE 適用線径範囲	//		
INS. RANGE 被覆外径	//		

GENERAL TOLERANCES: (UNLESS SPECIFIED) 一般公差	SCALE	DESIGN UNITS	PROJECTION
10 UNDER 未満	///	mm	2ND ANGLE
10 OVER 30 UNDER 未満		mm	PROJECTION
30 OVER 以上		mm	
ANGLE 角度			

DRAWN BY & DATE S.AIHARA '00/11/28	TITLE: 0.5 B-To-B Conn Rec Assy (Hgt=1.5) Embstp Pkg
CHECKED BY & DATE T.IITO '01/09/19	MATERIAL NO. DRAWING NO.
APPROVED BY & DATE T.YAMAGUCHI '01/09/19	SD-54722-010
CAD FILENAME 54722010.S03	SHEET NO. 3 OF 3
THIS DRAWING CONTAINS INFORMATION THAT IS PROPRIETARY TO MOLEX INCORPORATED AND SHOULD NOT BE USED WITHOUT WRITTEN PERMISSION.	
SIZE B	