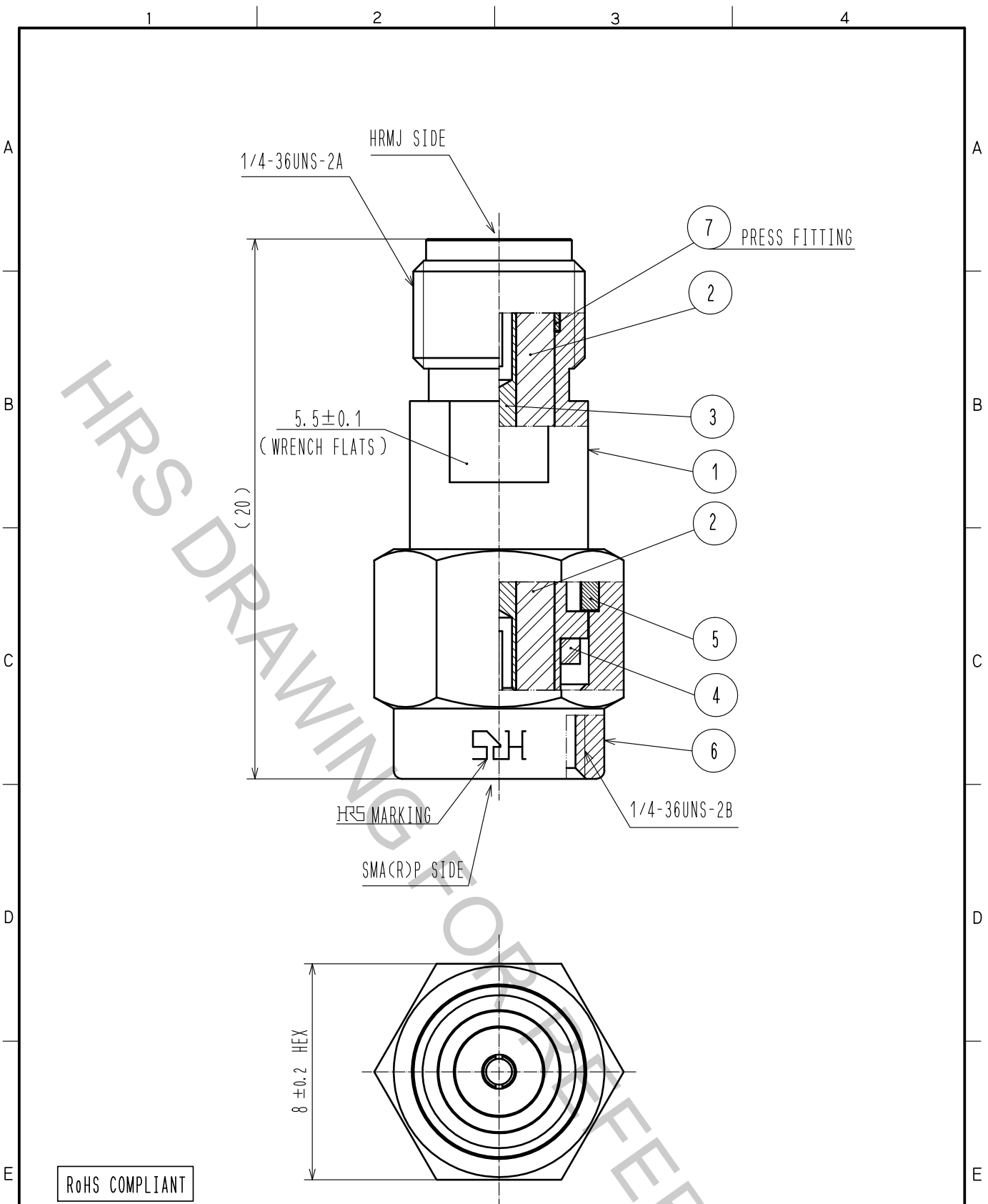


Aug.1.2018 Copyright 2018 HIROSE ELECTRIC CO., LTD. All Rights Reserved.
 In case that the application demands a high level of reliability, such as automotive,
 please contact a company representative for further information.



RoHS COMPLIANT

4	SILICON RUBBER			7	STAINLESS STEEL	PASSIVATED	
3	BERYLLIUM COPPER	GOLD PLATING		6	STAINLESS STEEL	PASSIVATED	
2	PTFE			5	BERYLLIUM COPPER	NICKEL PLATING	
1	STAINLESS STEEL	PASSIVATED					
NO.	MATERIAL	FINISH	REMARKS	NO.	MATERIAL	FINISH	REMARKS

UNITS mm		SCALE 5 : 1	COUNT 	DESCRIPTION OF REVISIONS	DESIGNED	CHECKED	DATE
-------------	--	----------------	-----------	--------------------------	----------	---------	------

HRS HIROSE ELECTRIC CO., LTD.	APPROVED : KY. SHIMIZU	16. 07. 08	DRAWING NO.	EDC-366797-00-00
	CHECKED : KY. SHIMIZU	16. 07. 08	PART NO.	HRMJ-SMA(R)P
	DESIGNED : MH. OGUSU	16. 07. 08	CODE NO.	CL323-0035-0-00
	DRAWN : MH. OGUSU	16. 07. 08		