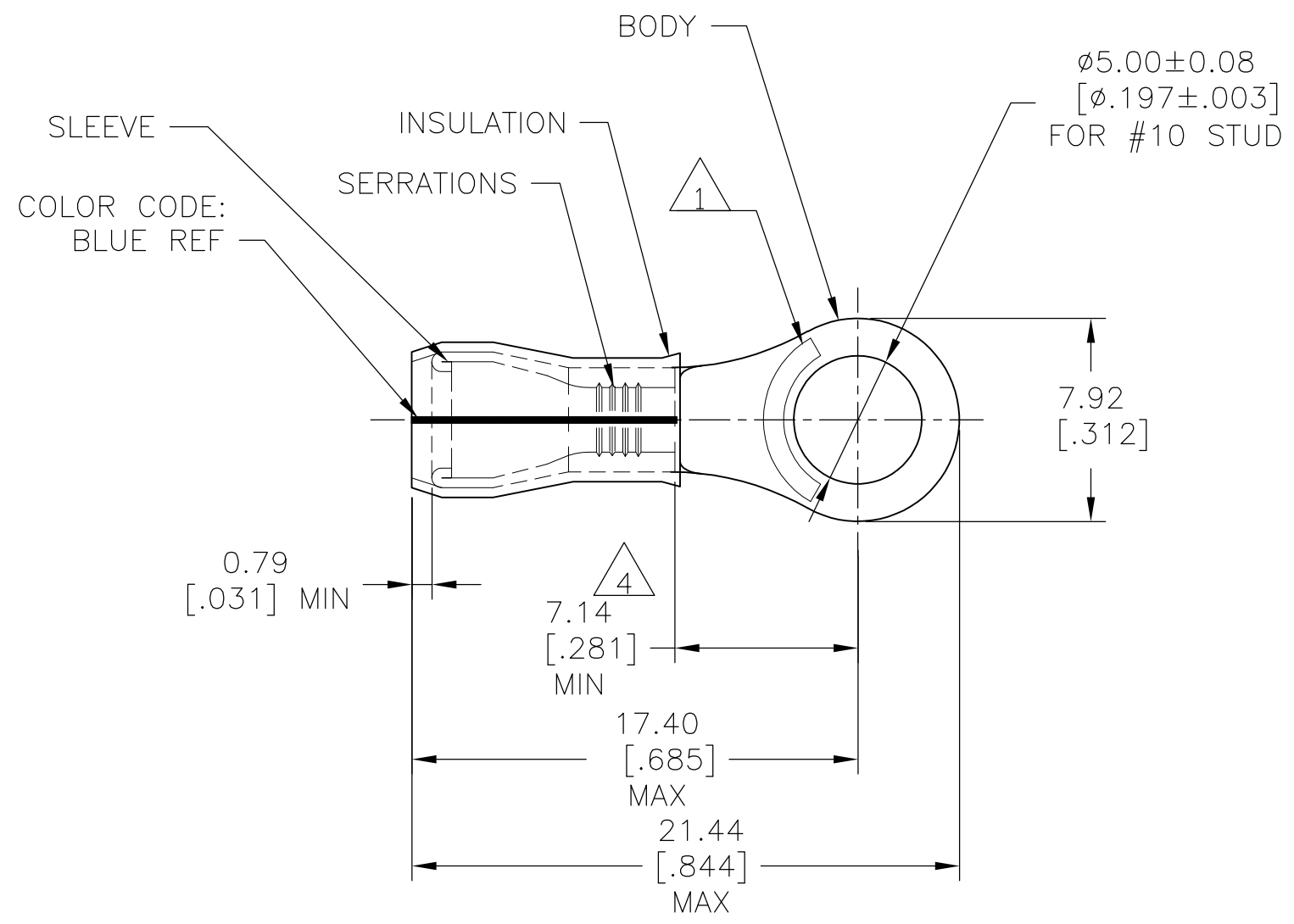


THIS DRAWING IS UNPUBLISHED. RELEASED FOR PUBLICATION
 © COPYRIGHT - By - ALL RIGHTS RESERVED.

| LOC | DIST | REVISIONS | | | |
|-----|------|-------------|---------------------------|---------|-------|
| P | LTR | DESCRIPTION | DATE | DWN | APVD |
| G | 14 | K3 | REVISED PER ECO-12-007718 | 08MAY12 | KH DR |



- 1 STAMP AMP 16-14* APPROX AS SHOWN
- 2 WIRE INSULATION DIA: 2.67-3.81[.105-.150]
- 3 TONGUE MATERIAL THK: 0.79±0.05[.031±.002]
- 4 APPLIES FROM EDGE OF METAL WIRE BARREL TO CENTER OF STUD HOLE.
- 5 MEETS M7928/4-108, CLASS 1 & 2
MEETS M7928/13-108, CLASS 1 & 2
- 6 MEETS M7928/4-108, CLASS 2

| QTY | PACKAGE TYPE | MATERIAL & FINISH | PART NO |
|------|------------------|---|-----------|
| 100 | LOOSE PIECE, BOX | SAME AS 53418-1 | 8-53418-1 |
| 5000 | ON TAPE, REEL | SAME AS 53418-1 | 6 53418-2 |
| 1000 | LOOSE PIECE | BODY: COPPER PER ASTM B152 TIN/LEAD (93-7) PLATE PER ASTM B545 (3% MIN LEAD CONTENT) SLEEVE: COPPER PER ASTM B152 TIN/LEAD (93-7) PLATE PER ASTM B545 (3% MIN LEAD CONTENT) INSULATION: PVF2, COLOR-NATURAL | 5 53418-1 |

| | | |
|--|--|---|
| AMP INCORPORATED CUSTOMER SERVICE SYSTEMS | | MAX RECOMMENDED OPERATING TEMPERATURE: 150°C [302°F] MAX |
| FOR ADDITIONAL PRODUCT INFORMATION OR COPIES OF DRAWINGS AND TECHNICAL DOCUMENTS | PRODUCT INFORMATION CENTER 1-800-522-6752 | VOLTAGE RATING: N/A |
| FOR APPLICATION TOOLING INFORMATION | TOOLING ASSISTANCE CENTER 1-800-722-1111 | CIRCULAR MIL AREA: 1.04-2.62mm² [2,050-5,180] STRANDED |
| FOR ORDER ENTRY | 1-800-526-5142 | THIS DRAWING IS A CONTROLLED DOCUMENT FOR AMP INCORPORATED. IT IS SUBJECT TO CHANGE AND THE CONTROLLING ENGINEERING ORGANIZATION SHOULD BE CONTACTED FOR THE LATEST REVISION. |

| | |
|--|--|
| THIS DRAWING IS A CONTROLLED DOCUMENT. | |
| DIMENSIONS: mm [INCHES] | TOLERANCES UNLESS OTHERWISE SPECIFIED: |
| | 0 PLC ± - 1 PLC ± - 2 PLC ± - 3 PLC ± 0.20[.008] 4 PLC ± - ANGLES ± - |
| MATERIAL SEE TABLE | FINISH SEE TABLE |

| | |
|----------------------------------|--|
| DWN JR RUTH 25OCT07 | TE Connectivity NAME TERMINAL, RING TONGUE, PVF2 , P.I.D.G. WIRE SIZE: 16-14 AWG |
| CHK T MICHIELUTTI 25OCT07 | |
| APVD T MICHIELUTTI 25OCT07 | |
| PRODUCT SPEC - | |
| APPLICATION SPEC - | RESTRICTED TO - |
| WEIGHT - | SIZE A3 |
| CUSTOMER DRAWING | CAGE CODE 00779 |
| SCALE 4:1 | DRAWING NO C-53418 |
| SHEET 1 OF 1 | REV K3 |