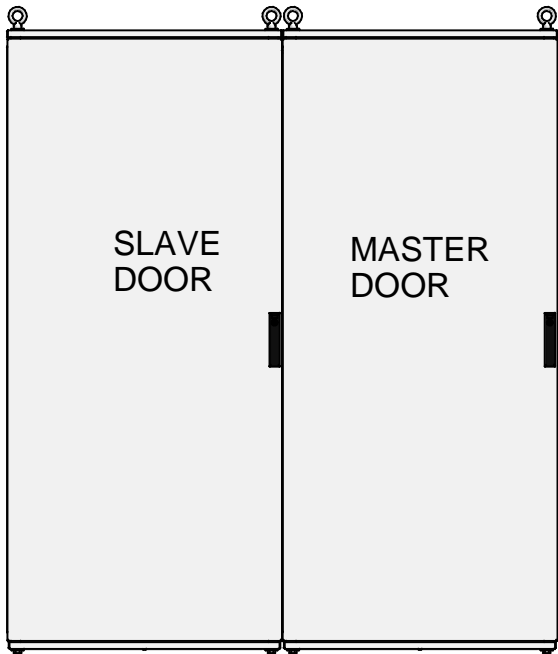


# HMIK - SERIES

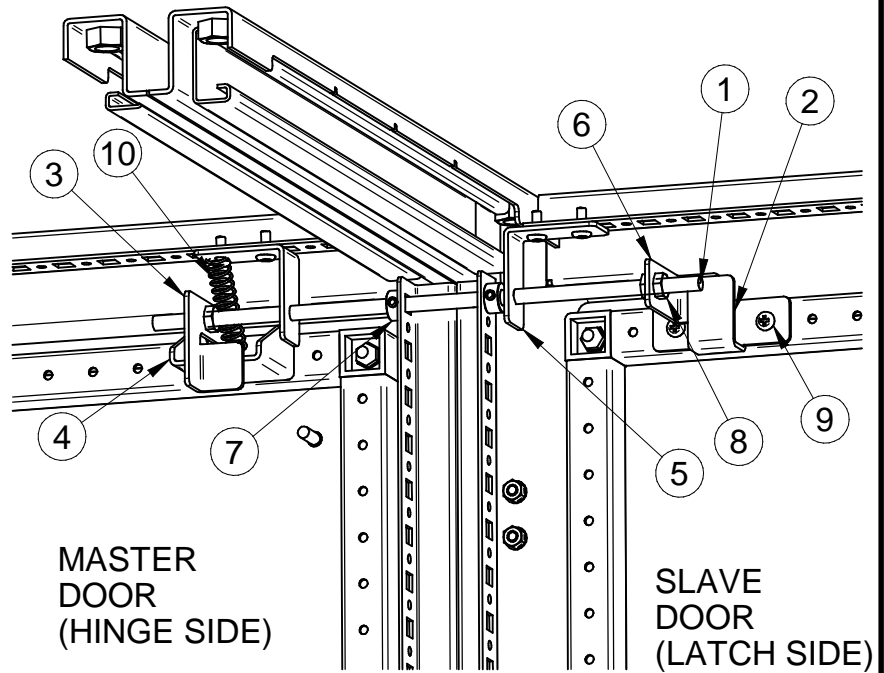
BUL86310

REV. A

## ASSEMBLY INSTRUCTIONS FOR HME MASTER INTERLOCK KIT

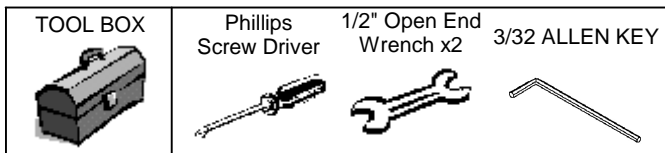


FRONT VIEW  
(GANGED TOGETHER REFERENCE)



INSIDE ASSEMBLED VIEW

ITEM	DESCRIPTION	QTY
1	5/16-18 X 12" Threaded Rod	1
2	HME - interlock door catch	1
3	HME - interlock plunger	1
4	HME - interlock engager	1
5	HME - interlock rod support	2
6	HME - interlock catch	1
7	5/16 Shaft Collar Zp	2
8	Nut 5/16-18 Hex Jam ZP	4
9	Screw - #12 X 1/2" Pan head Phillips Self Tapping	9
10	Spring Util. Est Type 7/16 X 2	1



# HMIK - SERIES

BUL86310

REV. A

## ASSEMBLY INSTRUCTIONS FOR HME MASTER INTERLOCK KIT

### INSTRUCTIONS:

A) Install interlock rod support brackets (Item 5), one on the master enclosure frame one on the slave enclosure frame (fig 1) using thread rolling screws (Item 9). Make sure the bracket in the master enclosure will be close to where the interlock engager assembly will end up. The slave enclosure bracket can go anywhere it doesn't interfere with the locking mechanism.

B) Install the interlock engager (Item 4) onto the master enclosure door frame and the interlock door catch (Item 2) onto the slave enclosure door frame as shown in fig. 2 using thread rolling screws.

C) Feed threaded rod (Item 1) through the interlock rod supports (Item 5), the top square of the HME frame and the shaft collars (Item 7) as shown in fig. 3.

D) Thread on one jam nut (Item 8) onto each end of the threaded rod (Item 1). Install the interlock plunger (Item 3) onto the master HME side and center it on the interlock engager (Item 3) onto the master HME side and center it on the interlock engager (Item 4). Thread on other jam nut and tighten down both nuts. Make sure the plunger is in the orientation shown in fig. 4.

E) Install the interlock catch (Item 6) as shown in fig.4 and lock down with a jam nut.

F) Remove one of the thread rolling screws holding on the rod support in the master HME. Re-install the screw with the spring (Item 10). Attach other end of the spring to the interlock plunger (Item 3) using a thread rolling screw (Item 9).

