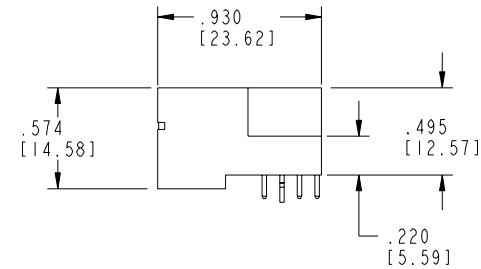
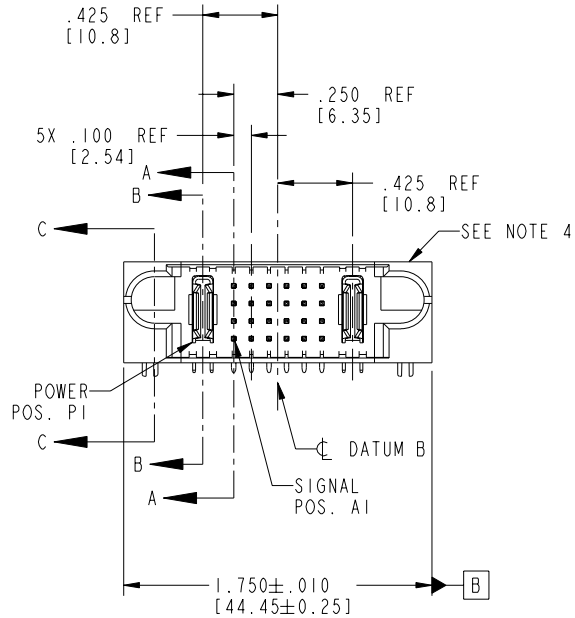


Tous droits strictement réservés. Reproduction ou communication à des tiers interdite sous quelque forme que ce soit sans autorisation écrite du propriétaire. Propriété de c FCI. Droits de reproduction FCI.

All rights strictly reserved. Reproduction or issue to third parties in any form whatever is not permitted without written authority from the proprietor. Property of FCI. Copyright FCI.

PRODUCT NO.	ROWS	PWR		SIGNAL						PWR	
		E1	P1	1	2	3	4	5	6	P2	E2
51730-110-- NOTE:3	D C B A										



CODE	DIM "M" MATING LENGTH	CONTACT TYPE
U	.270 [6.86]	SIGNAL
T	.270 [6.86]	SIGNAL
S	.270 [6.86]	SIGNAL
R	.270 [6.86]	SIGNAL
PA	N/A [N/A]	POWER
HA	N/A [N/A]	HOLD-DOWN
E	.220 [5.59]	SIGNAL

mat'l code				SEE NOTE 2		tolerances unless otherwise specified		CUSTOMER		 www.fciconnect.com	
ltr	ecn no.	dr	date	linear	.XX±.01/0.X±0.3	COPY		projection		title	
A	DG05-0042	SLUO	3/14/05		.XXX±.005/0.XX±0.13	INCH/MM				IP +24S +IP	
B	DG05-0455	CS	11/12/05	angles	.XXX±.0020/0.XXX±0.051	scale		product family		RIGHT ANGLE SOLDER HEADER	
				dr	0° ± 2°	1:1		PwrBlade		code	
				engr	SLUO 3/14/05			size		213	
				chr	VICTOR LIN 3/14/05			dwg no		sheet	
				appd	JOSEPH HSIA 3/15/05			A 51730-110		1 of 4	
sheet index	revision	B	B	B	B						
	sheet	1	2	3	4						

cage code 22526

Pro/E

PDM: Rev:B

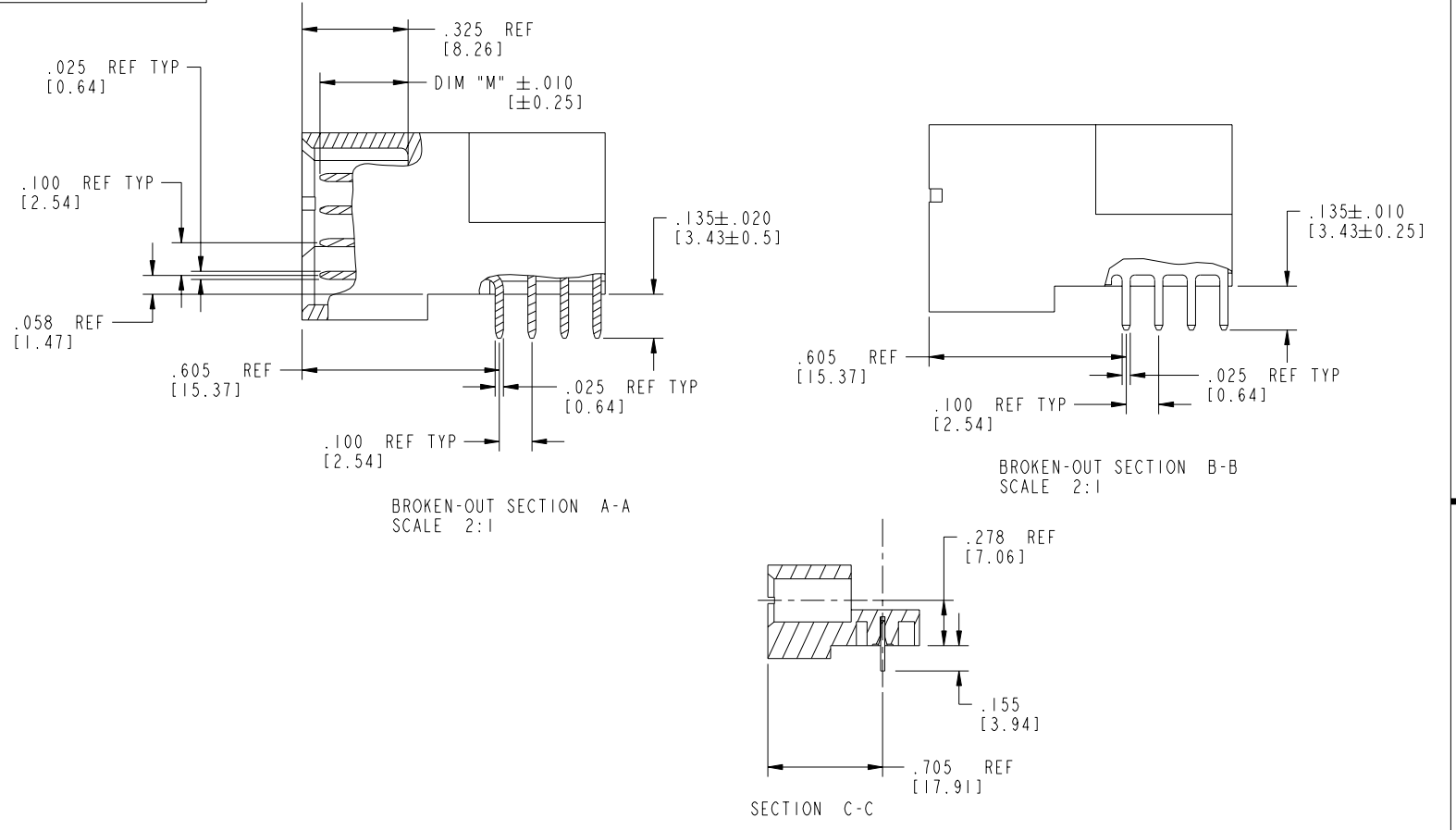
STATUS: Released

Printed: Dec 20, 2010

Tous droits strictement réservés. Reproduction ou communication a des tiers interdite sous quelque forme que ce soit sans autorisation écrite du propriétaire. Propriété de c FCI. Droits de reproduction FCI.

All rights strictly reserved. Reproduction or issue to third parties in any form whatever is not permitted without written authority from the proprietor. Property of FCI. Copyright FCI.

PRODUCT NUMBER
51730-110__
NOTE: 3



A
FCI

B

mat'l code		SEE NOTE 2		tolerances unless otherwise specified		CUSTOMER		A FCI		www.fciconnect.com	
ltr	ecn no.	dr	date	linear	.XX±.01/0.XX±0.3	COPY		projection		title	
B					.XXX±.005/0.XX±0.13	INCH/MM		IP +24S +IP		RIGHT ANGLE SOLDER HEADER	
				angles	.XXX±.0020/0.XXX±0.051	1:1		product family		PwrBlade	
				dr	0°±2°			size		code	
				enr	SLUO 3/14/05			A		213	
				chr	SLUO 3/14/05			51730-110		sheet	
				appd	VICTOR LIN 3/14/05					2 of 4	
					JOSEPH HSIA 3/15/05						
sheet index	revision sheet										

cage code 22526

Pro/E

PDM: Rev:B

STATUS: Released

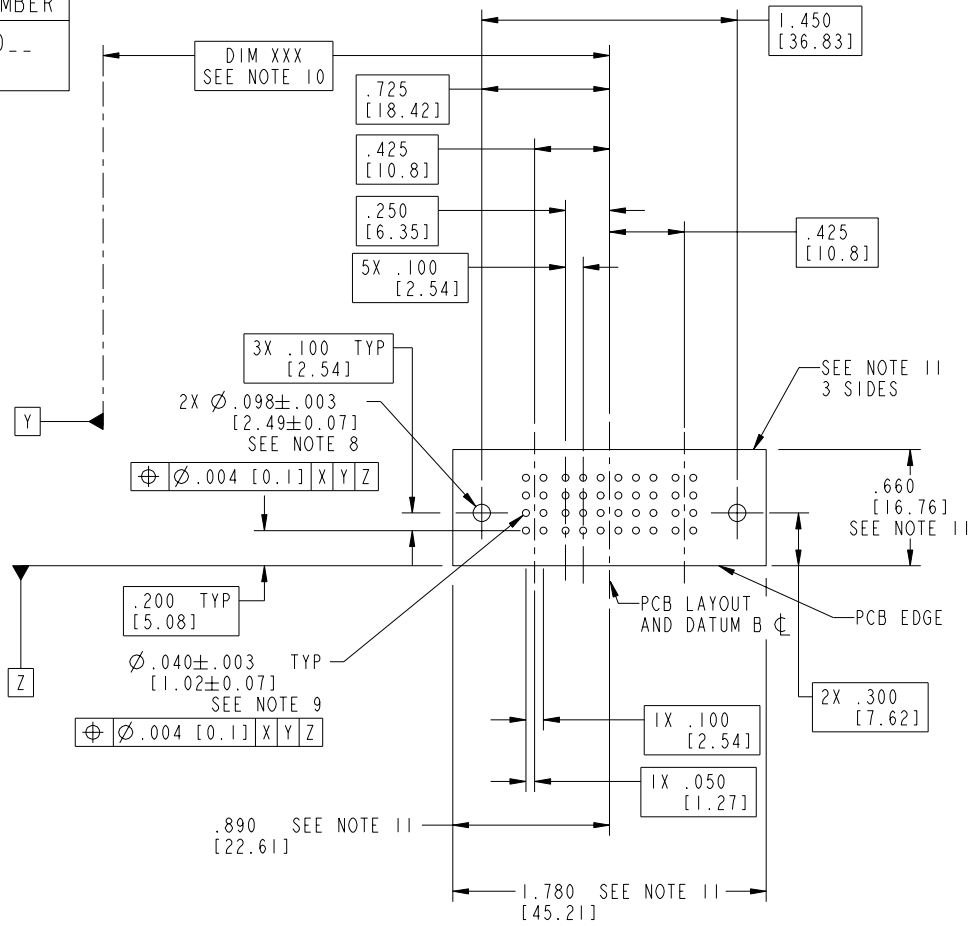
Printed: Dec 20, 2010

Tous droits strictement réservés. Reproduction ou communication à des tiers interdite sous quelque forme que ce soit sans autorisation écrite du propriétaire. Propriété de c FCI. Droits de reproduction FCI.

All rights strictly reserved. Reproduction or issue to third parties in any form whatever is not permitted without written authority from the proprietor. Property of FCI. Copyright FCI.



PRODUCT NUMBER
51730-110--
NOTE: 3



RECOMMENDED PCB LAYOUT

mat'l code		SEE NOTE 2		tolerances unless otherwise specified		CUSTOMER		 www.fciconnect.com	
ltr	ecn no.	dr	date	linear	.XX±.01/0.X±0.3	COPY		title	
B					.XXX±.005/0.XX±0.13	projection		IP +24S +IP	
				angles	.XXXX±.0020/0.XXX±0.051			RIGHT ANGLE SOLDER HEADER	
				dr	SLUO 3/14/05	INCH/MM		product family	
				enr	SLUO 3/14/05	scale		PwrBlade	
				chr	VICTOR LIN 3/14/05	1:1		code	
				appd	JOSEPH HSTA 3/15/05			213	
sheet index		revision sheet						size	
								dwg no	
								51730-110	
								sheet	
								3 of 4	

cage code 22526

Pro/E

PDM: Rev:B

STATUS: Released

Printed: Dec 20, 2010

Tous droits strictement réservés. Reproduction ou communication à des tiers interdite sous quelque forme que ce soit sans autorisation écrite du propriétaire. Propriété de c FCI. Droits de reproduction FCI.

A
FCI

All rights strictly reserved. Reproduction or issue to third parties in any form whatever is not permitted without written authority from the proprietor. Property of FCI. Copyright FCI.

PRODUCT NUMBER
51730-110__
NOTE: 3

NOTES:

1. DIMENSIONS AND TOLERANCES ARE IN ACCORDANCE WITH ASME Y14.5M, 1994 UNLESS OTHERWISE SPECIFIED.

CONNECTOR NOTES:

2. HOUSING MATERIAL: UL 94 V-0 GLASS FILLED
HIGH-TEMP THERMOPLASTIC
POWER CONTACT MATERIAL: COPPER ALLOY
SIGNAL PIN MATERIAL: COPPER ALLOY

3. PLATING:
51730-110 Singal Pin: 30u"/0.76um Au OVER 50u"/1.27um Ni ON THE CONTACT AREA.
AND 100u"/2.54um SnPb PLATING OVER 50u"/1.27um Ni ON THE TERMINATION SECTION.
Power Pin: 30u"/0.76um Au OVER 50u"/1.27um Ni ON THE CONTACT AREA,
AND 100u"/2.54um SnPb PLATING OVER 50u"/1.27um Ni ON THE TERMINATION SECTION.
51730-110LF Singal Pin: 30u"/0.76um Au OVER 50u"/1.27um Ni ON THE CONTACT AREA.
AND 78u"/2.00um Sn PLATING OVER 50u"/1.27um Ni ON THE TERMINATION SECTION.
Power Pin: 30u"/0.76um Au OVER 50u"/1.27um Ni ON THE CONTACT AREA,
AND 78u"/2.00um Sn PLATING OVER 50u"/1.27um Ni ON THE TERMINATION SECTION.

PART NUMBER 51730-110LF MEETS EUROPEAN UNION DIRECTIVE AND OTHER ICOUNTRY REGULATIONS AS DESCRIBED IN GS-22-008.

THE HOUSING WILL WITHSTAND EXPOSURE TO 260° PEAK TEMPERATURE FOR 10 SECONDS IN A WAVE SOLDER APPLICATION WITH A CIRCUIT BOARD.

4. MANUFACTURER'S NAME, P/N, AND DATE CODE TO APPEAR ON THIS SURFACE.

5. PRODUCT SPECIFICATION GS-12-149.
APPLICATION SPECIFICATION BUS-20-067.

6. PACKAGED IN TRAYS.

PCB NOTES:

7. ALL HOLE DIAMETERS ARE FINISHED HOLE SIZE.

8. MOUNTING HOLES, WHERE APPLICABLE, ARE UNPLATED.

9. $\varnothing .0453 \pm .0010$ [1.151 ± 0.025] DRILLED HOLES PLATED WITH
.0003 [0.008] MIN SnPb OVER .001 [0.03]
TO .003 [0.08] Cu PLATING TO ACHIEVE
 $\varnothing .040 \pm .003$ [1.02 ± .07] HOLE.

10. "DIM XXX" TO BE DETERMINED BY THE CUSTOMER.

11. CONNECTOR KEEP-OUT ZONE.

mat'l code		SEE NOTE 2		tolerances unless otherwise specified		CUSTOMER		A FCI		www.fciconnect.com	
ltr	ecn no.	dr	date	linear	.XX±.01/0.X±0.3	COPY		projection	title IP +24S +IP		
B					.XXX±.005/0.XX±0.13				RIGHT ANGLE SOLDER HEADER		
				angles	XXXX±.0020/0.XXX±0.051				product family PwrBlade		code 213
				dr	0° ± 2°	INCH/MM			size		sheet 4 of 4
				enr	SLUO 3/14/05	scale 1:1		A		51730-110	
				chr	SLUO 3/14/05						
				appd	VICTOR LIN 3/14/05						
					JOSEPH HSIA 3/15/05						
sheet index	revision sheet										

cage code 22526 4

PDM: Rev:B

STATUS: Released

Printed: Dec 20, 2010