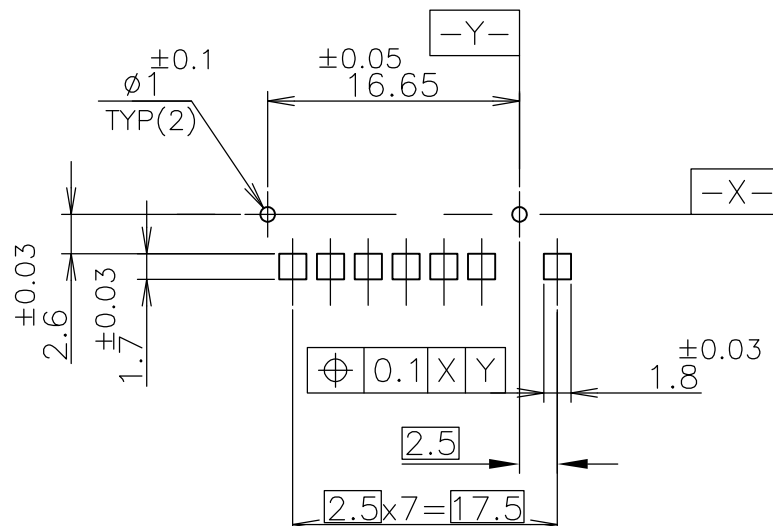
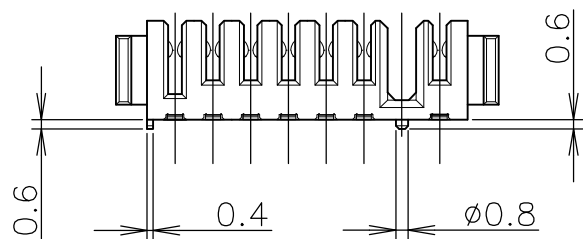
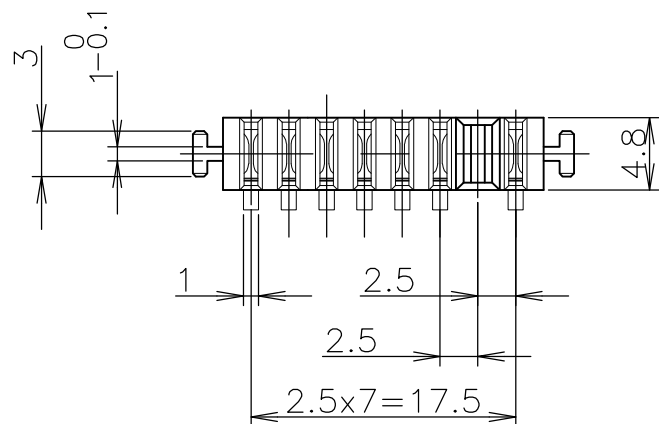
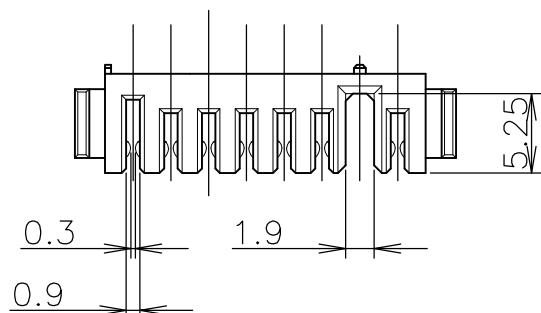
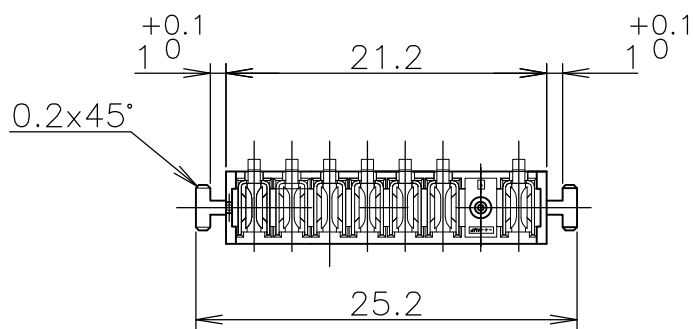
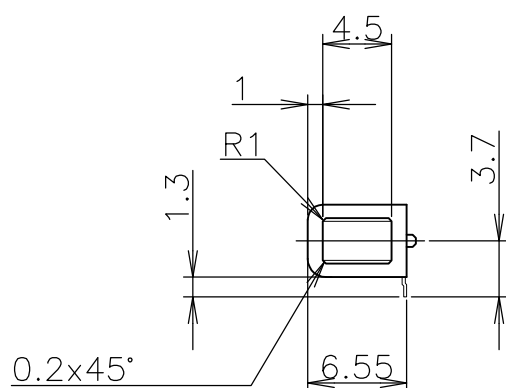


THIS DRAWING IS UNPUBLISHED. RELEASED FOR PUBLICATION FEB. - .
 © COPYRIGHT 2005 BY TYCO ELECTRONICS CORPORATION. ALL RIGHTS RESERVED.

LOC	DIST	REVISIONS					
J		P	LTR	DESCRIPTION	DATE	DWN	APVD
		A1	REVISED	ECR-07-012389	12JAN07	T.K	K.I



基板取付参考寸法
 REFERENCE P.C.BOARD LAYOUT
 P.C.BOARD THK 0.8~1.2
 (VIEW FROM CONNECTOR MOUNTING SIDE)



- △ 材料
 - ・ハウジング：6Tナイロン、UL94V-O、黒
 - ・コンタクト：銅合金
- △ 仕上げ
 - ・コンタクト：ニッケル下地めっき
 - 接触部 金めっき 0.3μm以上
 - 半田付け部 錫めっき 2~5μm
- △ 仕上げ
 - ・コンタクト：ニッケル下地めっき
 - 接触部 金めっき 0.76μm以上
 - 半田付け部 錫めっき 2~5μm

- △ MATERIAL
 - ・HOUSING: 6T NYLON, UL94V-O, BLACK
 - ・CONTACT: COPPER ALLOY
- △ FINISH
 - ・CONTACT: Ni ALL OVER UNDER PL.
 - GOLD PL. 0.3μm MIN. AT CONTACT AREA
 - TIN PL. 2~5μm AT LEAD AREA
- △ FINISH
 - ・CONTACT: Ni ALL OVER UNDER PL.
 - GOLD PL. 0.76μm MIN. AT CONTACT AREA
 - TIN PL. 2~5μm AT LEAD AREA

△3	1827852-2
△2	1827852-1
FINISH	P/N

THIS DRAWING IS A CONTROLLED DOCUMENT.		DWN T.KATANO 22FEB05	Tyco Electronics Corporation	
DIMENSIONS: 単位：mm		CHK T.KIMURA 22FEB05	Tyco Electronics Corporation	
TOLERANCES UNLESS OTHERWISE SPECIFIED: 一般公差		APVD T.KIMURA 22FEB05	Kawasaki, Japan	
0 PLC ± 0.3		NAME 2.5mm Pitch BATTERY CONNECTOR RECEPTACLE ASSEMBLY (7P)		
1 PLC ± 0.3		PRODUCT SPEC 108-5775		
2 PLC ± 0.3		APPLICATION SPEC 取付適用規格		
3 PLC ± 0.3		SIZE A3	CAGE CODE 00779	DRAWING NO. 1827852
4 PLC ± 0.3		RESTRICTED TO		
ANGLES ± 3'		SCALE 2:1		
MATERIAL 材料 △1	FINISH 仕上 △2	SHEET 1 OF 1		
CUSTOMER DRAWING		REV A1		