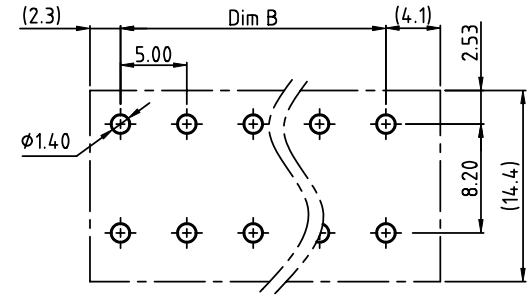
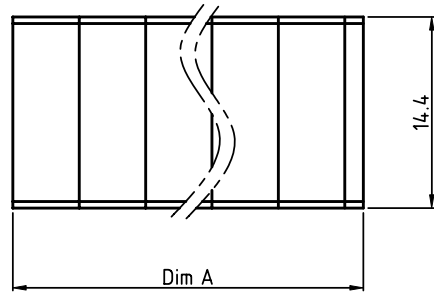
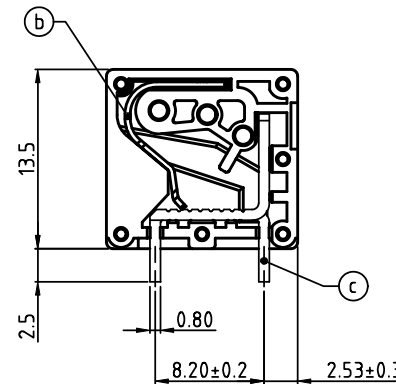
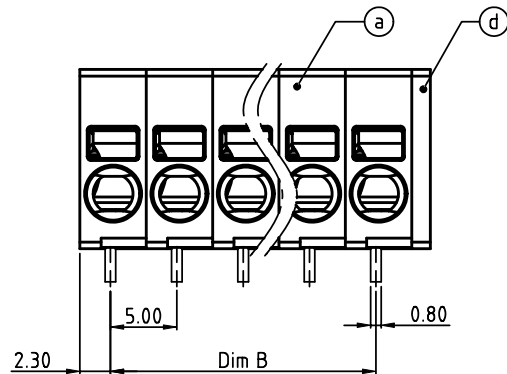


PRODUCT NUMBER	PITCH
NJxx01x000J0G	5.00mm



RECOMMENDED P.C.B LAYOUT  
TOP VIEW



Material:

- Item (a) Terminal housing : Thermoplastic (UL 94V-0)
- Item (b) Spring clamp: Stainless steel
- Item (c) Solder pin: Brass, Tin plated
- Item (d) Terminal cover: Thermoplastic (UL 94V-0)

Electrical:

- Voltage rating: 300 V
- Current rating(Sol): 13A
- Current rating(Str): 16 A
- Wire range: cULus
- Solid wire(AWG): 14-24
- Stranded wire(AWG): 12-24
- Wire strip length: 9-10mm
- Withstanding Voltage: 1.6KV
- Operating temperature: -40°C to +115°C
- Soldering temperature: 260°C±5°C/5 Sec
- Safety Approval:

N=Number of poles  
Dim A=Nx5.00+1.40  
Dim B=(N-1)x5.00

POLES	Dim A	Dim B
1p	±0.10	
2-6p	±0.10	±0.10
7-12p	±0.20	±0.20
13-18p	±0.30	±0.30
19-24p	±0.40	±0.40

PART NO.: NJ xx 01 x 000J0 G

No. of poles	Color	RoHS compliant
0	Black (RAL9005)	(lead<4%) In copper Alloy
End Stackable 2	Red (RAL3001/D)	
01 1 poles	3 Orange(RAL2011/P)	
02 2 poles	4 Yellow(RAL1018/A)	
...	5 Green(RAL6018/T)	
24 24 poles	6 Blue (RAL5015/A)	
	8 Grey(RAL7004/P)	
	9 White(RAL1102)	
	C Multiple colors	

mat'l. code		surface ASME Y14.5	tolerance ASME Y14.5	projection	product family
ltr ecn no dr date		tolerances unless otherwise specified			TERMINAL BLOCK
		angles	X.±0.5	MM	title
		fil	X.X±0.3		TERMINAL BLOCK
		X*±1*	X.XX±0.1	scale	SPRING CLAMP,180D WIRE INLET
		dr	EVIN ZHONG 060514		dwg no
		enr	EVIN ZHONG 060514		sheet 1 of 1
		chr	HANKE FENG 060514		size
		appd	SHI JUN 060514		A4
sheet index	revision sheet	A			type CUSTOMER Drawing