

This drawing involves proprietary design rights of Tyco Electronics Corporation, and all design, manufacture, reproduction, use and sale rights regarding the same are expressly reserved. It is submitted for a specific purpose and the recipient by accepting this drawing, assumes custody and control and agrees to take reasonable precautions; (a) that this drawing will not be copied and reproduced, in whole or in part, or its contents revealed in any manner, or to any person except to meet the purpose for which it was delivered and (b) that any special features peculiar to this design will not be incorporated in other projects without the expressed written permission of Tyco Electronics Corporation.

REVISIONS			
EC NUMBER	REV	DESCRIPTION	DATE
—	A	NEW RELEASE	06/28/05
	A1	CHANGED PN FROM 1648305-1 TO 6648305-1	07/25/05

TABLE - SOCKET CONNECTOR PN 1766696-1				
PART NUMBER	DESCRIPTION	POSITION	QTY	
1648115-2	222-0010-01101 SOCKET CONNECTOR, #12,#20,#12 CONFIG	NA	1	
1648301-1	702-0122-01109 SOCKET CONTACT, SIZE #20, COMPLIANT	4-19	16	
6648304-1	702-0130-01107 SOCKET CONTACT, SIZE #12, COMPLIANT	1,3,21 & 22	4	
6648305-1	702-0131-01109 SOCKET CONTACT, SIZE #12, COMPLIANT, HP	2 & 20	2	

7. REFERENCE TYCO PART NUMBER 1766696-1.

6. THIS SOCKET CONNECTOR MATES WITH 1766695-1.

△ SOCKET COMPLIANT TAIL CONTACTS INSTALLED.

4. FINISHES:

- SIZE #12 COMPLIANT CONTACT: SILVER PLATED.
- SIZE #12 COMPLIANT CONTACT HOT PLUG: GOLD PLATED.
- SIZE #20 COMPLIANT CONTACT: GOLD PLATED.
- CROWN BAND: GOLD PLATED.

3. MATERIALS:

- INSULATOR: THERMOPLASTIC, GLASS REINFORCED, UL94V-0, FLAMMABILITY RATED, COLOR-BLACK.
- COMPLIANT PRESS FIT CONTACTS: PHOSPHOR BRONZE COPPER ALLOY.
- CROWN BAND: BERYLLIUM COPPER.
- RETENTION CLIP: BERYLLIUM COPPER OR STAINLESS STEEL.

△ ITEMS PROVIDED TO THIS SPECIFICATION TO BE PERMANENTLY IDENTIFIED PER THE FOLLOWING IDENTIFIER:



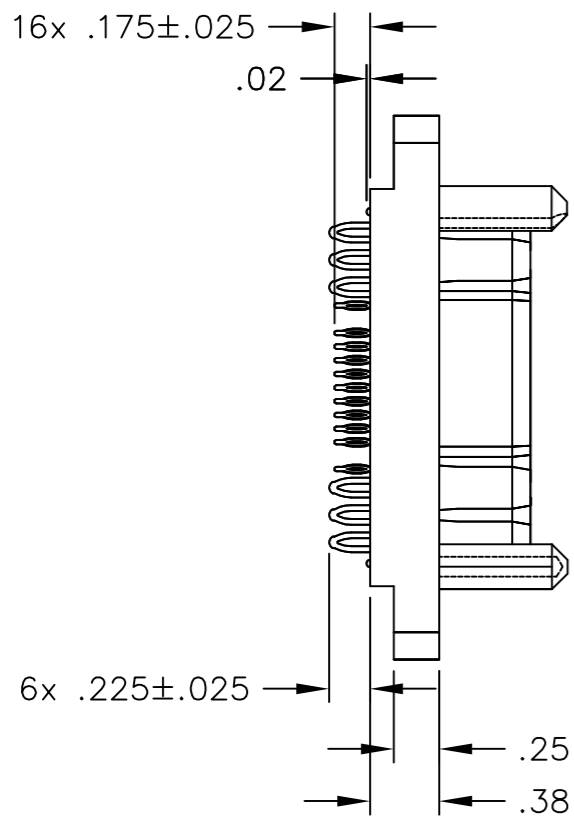
1. PART NUMBER CHANGES AND OR DESIGN CHANGES AFFECTING ITEM INTERCHANGEABILITY REQUIRE PRIOR ELCON APPROVAL AND AUTHORIZATION BY REVISION TO THIS DRAWING.

NOTES: UNLESS OTHERWISE SPECIFIED

 THIRD ANGLE PROJECTION UNLESS OTHERWISE SPECIFIED DIMENSIONS ARE IN INCHES (METRIC) TOLERANCES ANGLES ± .5° DECIMALS .XXX ± .010 (.25) .XX ± .02 (.3)	INCH OR INCH (MM) DRAWN M. ALIM CHECKED	DATE 06/28/05	 Tyco Electronics Corporation Menlo Park, Ca 94025 	
	APPROVED		TITLE	
	APPROVED	07/25/05	CONNECTOR, SOCKET SIZE #12 & #20 COMPLIANT CONTACTS MINI DRAWER	
	D. CHAU	07/25/05	SIZE	DWG NUMBER
M. ALIM	07/25/05	B	C = 1766696	A1
ACAD FILE NUMBER C1766696A1.DWG		DWG SCALE 1=1		SH 1 OF 3

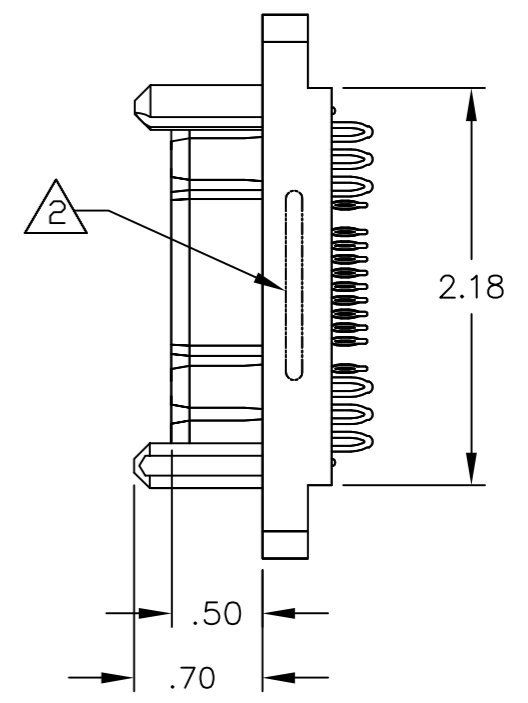
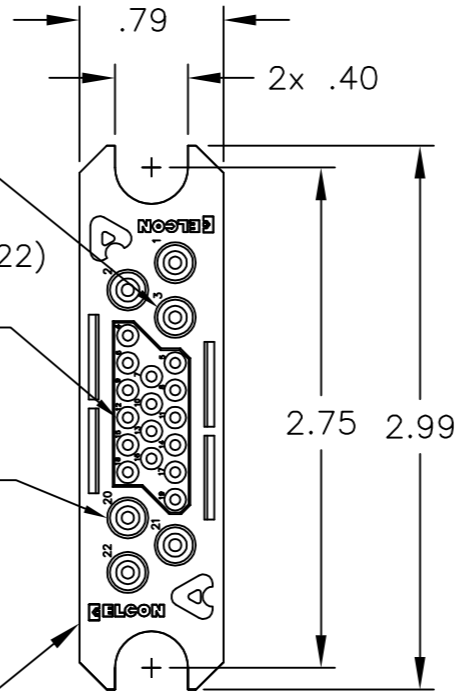
This drawing involves proprietary design rights of Tyco Electronics Corporation, and all design, manufacture, reproduction, use and sale rights regarding the same are expressly reserved. It is submitted for a specific purpose and the recipient by accepting this drawing, assumes custody and control and agrees to take reasonable precautions; (a) that this drawing will not be copied and reproduced, in whole or in part, or its contents revealed in any manner, or to any person except to meet the purpose for which it was delivered and (b) that any special features peculiar to this design will not be incorporated in other projects without the expressed written permission of Tyco Electronics Corporation.

REVISIONS			
EC NUMBER	REV	DESCRIPTION	DATE
		SEE SHEET 1	



- SOCKET CONTACT, SIZE #12 COMPLIANT PRESS FIT PIN (702-0130-01107, POSN 1,3,21,22)
- SOCKET CONTACT, SIZE #20 COMPLIANT PRESS FIT PIN (702-0122-01109, POSN 4-19)
- SOCKET CONTACT, SIZE #12 COMPLIANT PRESS FIT PIN (702-0131-01109, POSN 2,20)

(SOCKET CONNECTOR 222-0010-01100)



INCH OR INCH (MM) THIRD ANGLE PROJECTION UNLESS OTHERWISE SPECIFIED DIMENSIONS ARE IN INCHES (METRIC) TOLERANCES ANGLES ± .5° DECIMALS .XXX ± .010 (.25) .XX ± .02 (.3)	DRAWN M. ALIM CHECKED APPROVED APPROVED D. CHAU DCA APPROVED M. ALIM ACAD FILE NUMBER C1766696A1.DWG	DATE 06/28/05 07/25/05 07/25/05	 Tyco Electronics Corporation Menlo Park, Ca 94025
	TITLE CONNECTOR, SOCKET SIZE #12 & #20 COMPLIANT CONTACTS MINI DRAWER		SIZE DWG NUMBER REV. B C-1766696 A1
			DWG SCALE 1=1 SH 2 OF 3

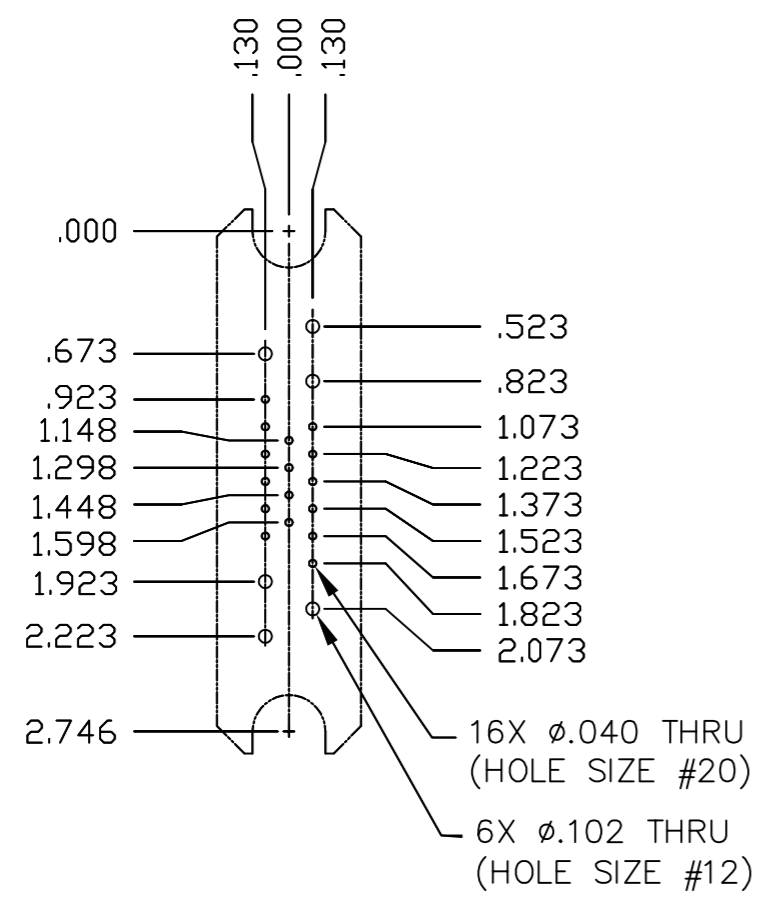
This drawing involves proprietary design rights of Tyco Electronics Corporation, and all design, manufacture, reproduction, use and sale rights regarding the same are expressly reserved. It is submitted for a specific purpose and the recipient by accepting this drawing, assumes custody and control and agrees to take reasonable precautions; (a) that this drawing will not be copied and reproduced, in whole or in part, or its contents revealed in any manner, or to any person except to meet the purpose for which it was delivered and (b) that any special features peculiar to this design will not be incorporated in other projects without the expressed written permission of Tyco Electronics Corporation.

REVISIONS			
EC NUMBER	REV	DESCRIPTION	DATE
		SEE SHEET 1	

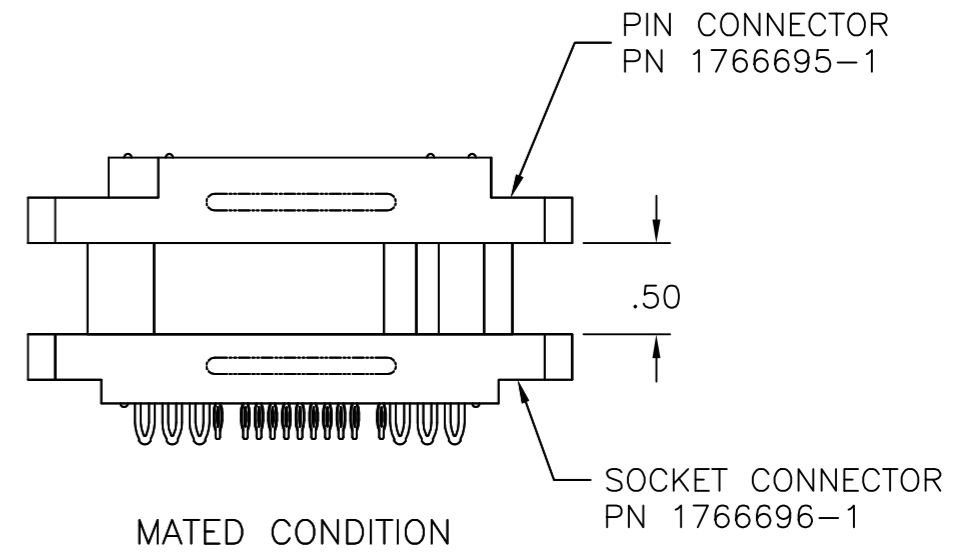
RECOMMENDED PRINTED CIRCUIT BOARD

HOLE SIZE #20 COMPLIANT PRESS FIT
 FINISHED HOLE: $\phi.040 \pm .003$
 DRILLED HOLE: $\phi.0453 \pm .0005$
 COPPER PLATE: .0010 MINIMUM (PER SURFACE)
 TIN PLATE: .0003 MINIMUM (PER SURFACE)

HOLE SIZE #12 COMPLIANT PRESS FIT
 FINISHED HOLE: $\phi.102 +.002/-0.003$
 DRILLED HOLE: $\phi.1065 \pm .0005$
 COPPER PLATE: .0010 MINIMUM (PER SURFACE)
 TIN PLATE: .0003 MINIMUM (PER SURFACE)



SUGGESTED PCB LAYOUT FOR SOCKET CONNECTOR
 (VIEWED FROM CONNECTOR MOUNTING SIDE)



INCH OR INCH (MM) THIRD ANGLE PROJECTION UNLESS OTHERWISE SPECIFIED DIMENSIONS ARE IN INCHES (METRIC) TOLERANCES ANGLES $\pm .5^\circ$ DECIMALS .XXX $\pm .010$ (.25) .XX $\pm .02$ (.3)	DRAWN M. ALIM	DATE 06/28/05	Tyco Electronics Corporation Menlo Park, Ca 94025			
	CHECKED		TITLE PRINTED CIRCUIT BOARD LAYOUT RECOMMENDED HOLE SIZES AND MATED CONDITION			
	APPROVED D. CHAU	APPROVED M. ALIM	07/25/05 07/25/05	SIZE B	DWG NUMBER C= 1766696	REV. A1
	ACAD FILE NUMBER C1766696A1.DWG		DWG SCALE 1=1	SH 3 OF 3		