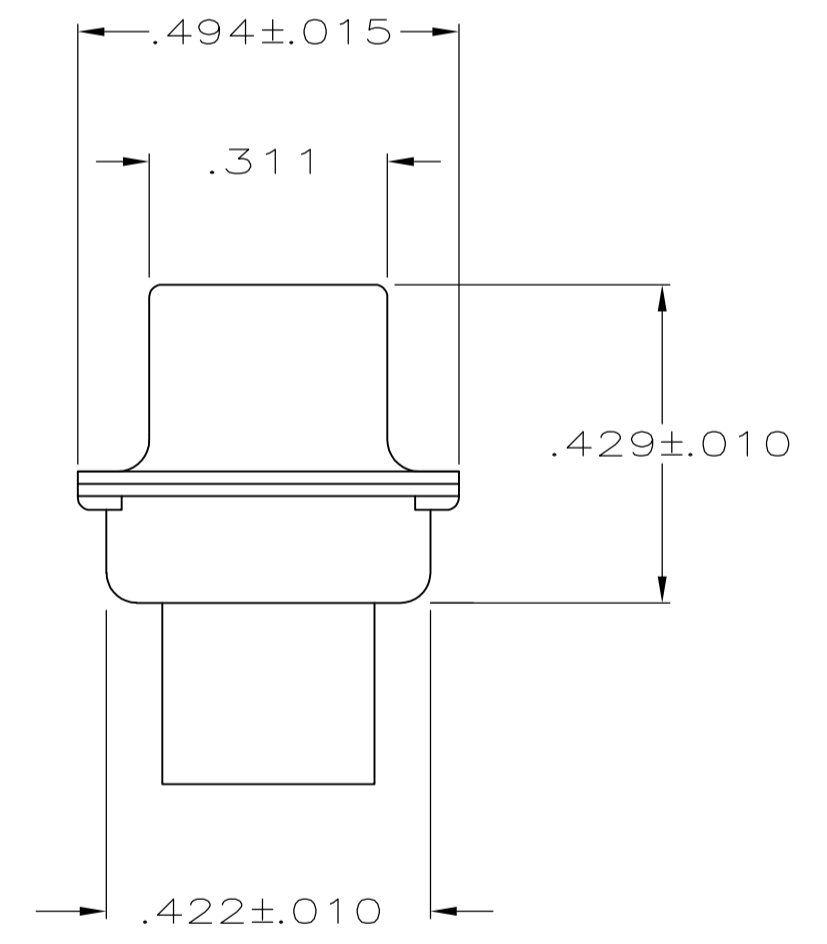
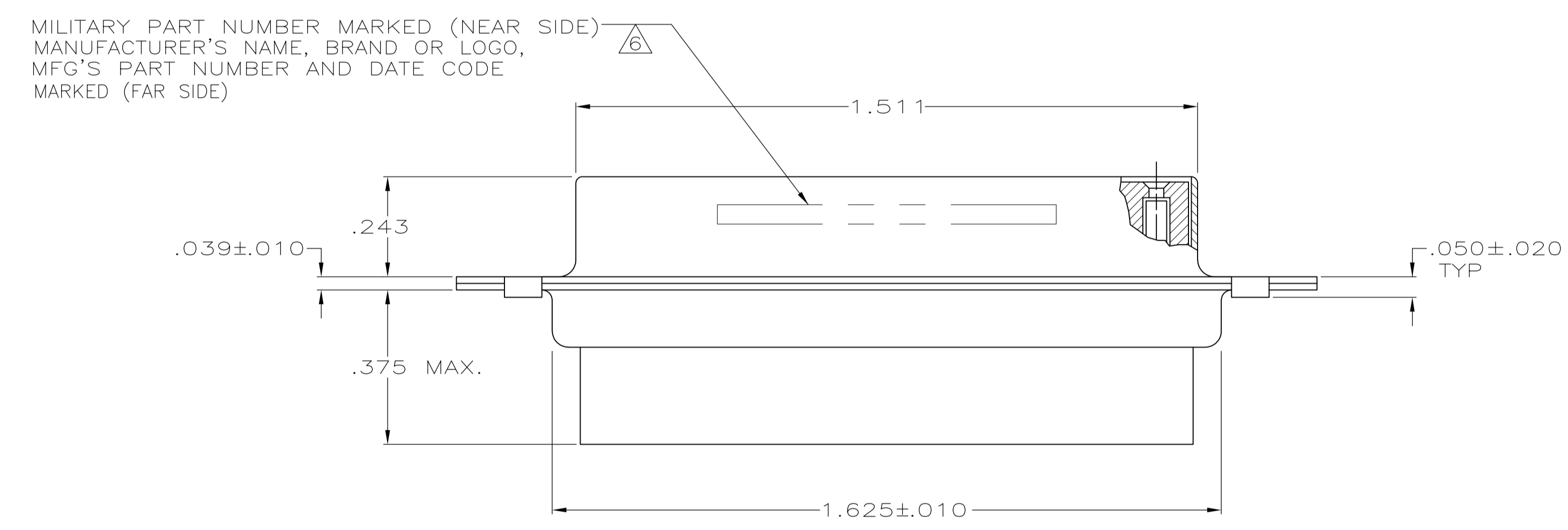
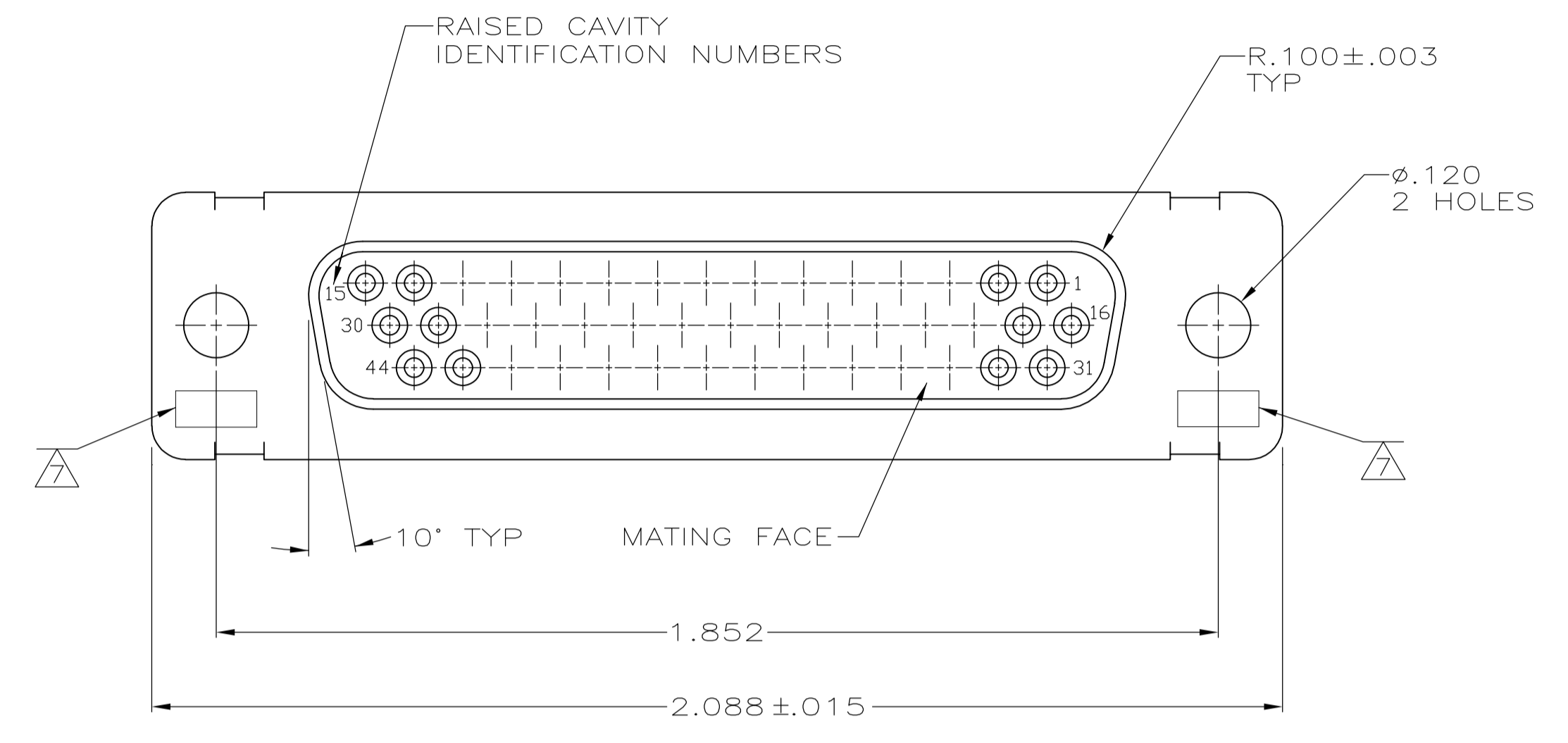


LOC		DIST		REVISIONS			
DF	DO	REV	DATE	BY	CHK	APPV	
Z		REVISED PER	ECO-09-012541			CT RL	

- THIS RCPT IS DESIGNED TO CONFORM TO THE LATEST ISSUE OF MIL-C-24308. EXCEPT AS NOTED HEREIN.
- MAX WIRE INSUL TO BE USED WITH THIS RCPT IS  $\phi.054$ .
- METAL RETENTION CLIPS ARE INCLUDED IN INSERTS.
- PACKAGE STAMPED M24308/2-288F.
- THIS RCPT WILL ACCEPT SIZE 22 SOCKET CONTACT M 39029/57-354 OR ANY TE HDD-22 SOCKET CONTACT.
- MFG'S PART NO. STAMPED ON CONNECTOR REPRESENTS KIT NUMBER WITH CONTACTS.
- UL & CSA DESIGNATION STAMPED ON SHELL, OPTIONAL.
- POLYPHENYLENE SULFIDE (PPS) GST-40F PER MIL-M-24519 OR GLASS FILLED POLYESTER TPES013G30 PER ASTM D5927
- PHENOLIC  
COLOR: BLACK  
OR POLYPHENYLENE SULFIDE(PPS)  
PER MIL-M24519, TYPE GST-40F  
COLOR: BLACK
- STEEL PER ASTM-A-109 OR EQUIVALENT.
- BRASS PER ASTM-B-36.
- FINISH: CADMIUM PER QQ-P-416, TYPE II, CLASS 2 OVER COPPER PER AMS2418, CLASS 4.
- FINISH: ZINC .000200-.000400 THK., YELLOW CHROMATE.
- FINISH: TIN PER ASTM-B-545, .000200 MIN THK THK OVER COPPER PER AMS2418, .000050 MIN THK.
- PACKAGE STAMPED M24308/6-288F.
- FINISH: BRIGHT TIN PER ASTM-B-545, .000400-.000550 THK OVER COPPER PER AMS2418, .000050 MIN THK.



-	8	10	16	204504-5	-	204504-5
-	8	10	14	-	-	204504-4
SUPSD. BY 206504-1	9	10	12	-	-	204504-3
SUPSD. BY 206064-4	7	8	11	204504-4	M24308/6-13F	204504-2
	4	8	10	204516-2	M24308/2-13F	204504-1
REMARKS	INSERT MATERIAL	SHELL MATERIAL	SHELL FINISH	INK STAMP MFG'S PART NO.	MARKED MILITARY PART NUMBER	PART NUMBER

THIS DRAWING IS A CONTROLLED DOCUMENT.

DIMENSIONS: INCHES	TOLERANCES UNLESS OTHERWISE SPECIFIED:	0 PLC ± -	1 PLC ± -	2 PLC ± -	3 PLC ± .005	4 PLC ± -	ANGLES ± 0', 30'
MATERIAL: SEE TABLE	FINISH: SEE CALLOUTS	WEIGHT: -	SIZE: A1	CAGE CODE: 00779	DRAWING NO: 204504	RESTRICTED TO: -	

CUSTOMER DRAWING SCALE 4:1 SHEET 1 OF 1 REV Z