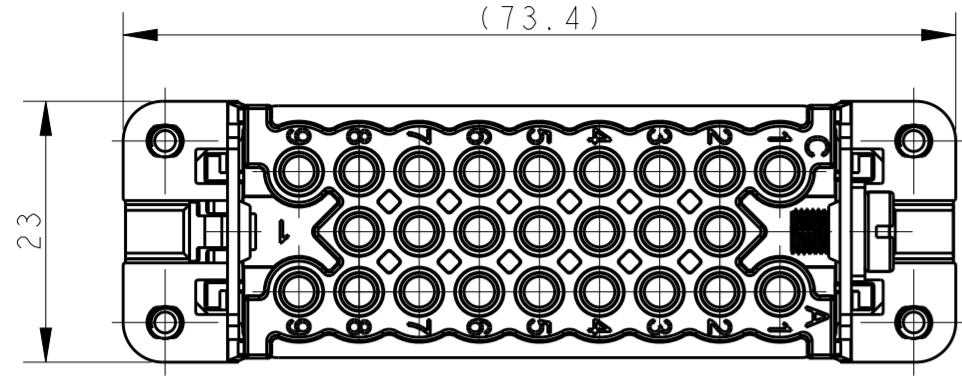


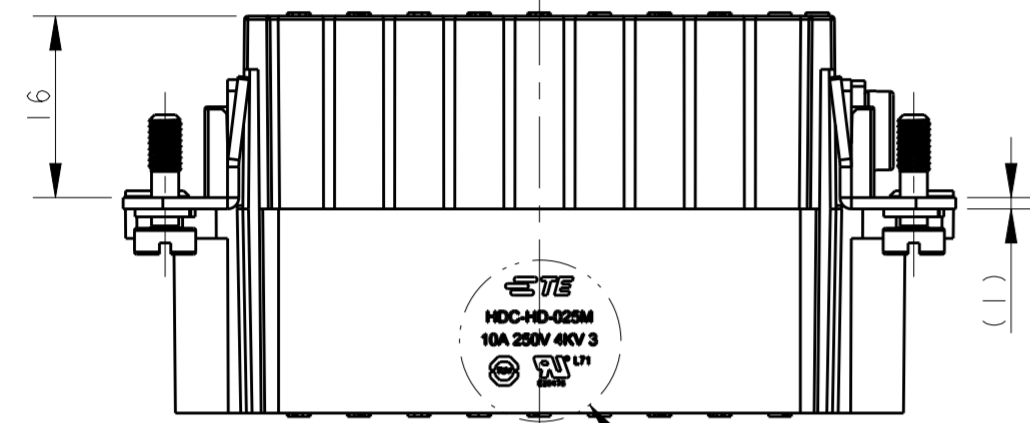
THIS DRAWING IS UNPUBLISHED. RELEASED FOR PUBLICATION 20
 © COPYRIGHT 20 BY - ALL RIGHTS RESERVED.

| REVISIONS | | | | | |
|-----------|-----|-----------------|-----------|-----|------|
| P | LTR | DESCRIPTION | DATE | DWN | APVD |
| A | | INITIAL RELEASE | 16DEC2014 | HMR | CW |
| B | | ECR-15-013292 | 24SEP2015 | DL | CW |
| BI | | ECR-16-011552 | 11AUG2016 | QY | CW |

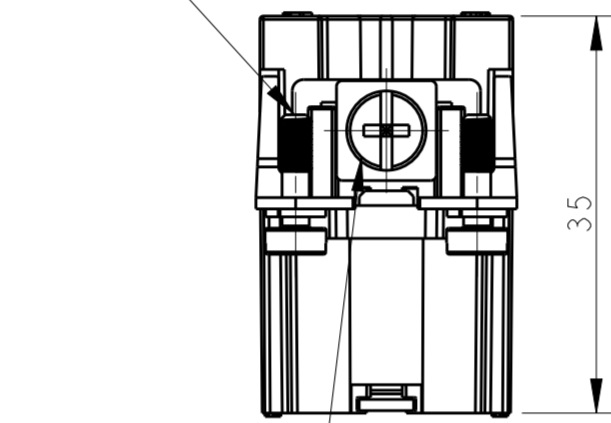
TYPT-1 / 类型-1



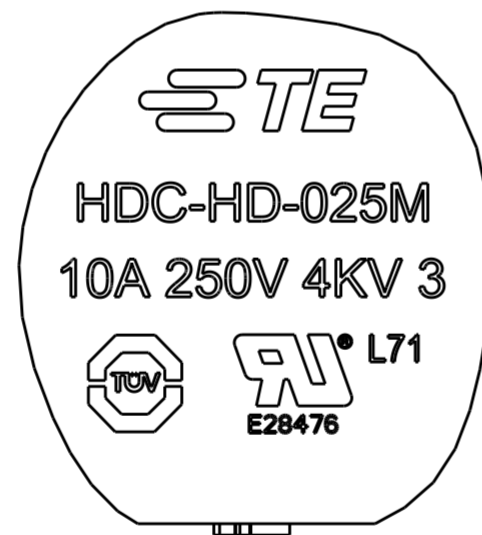
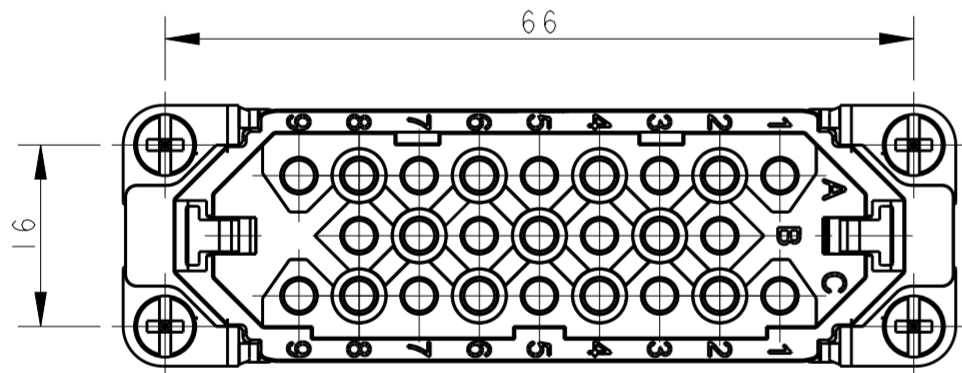
4X M3 SCREW
 RECOMMENDED TIGHTENING TORQUE 0.5Nm
 4X M3螺丝
 推荐锁紧力矩0.5Nm



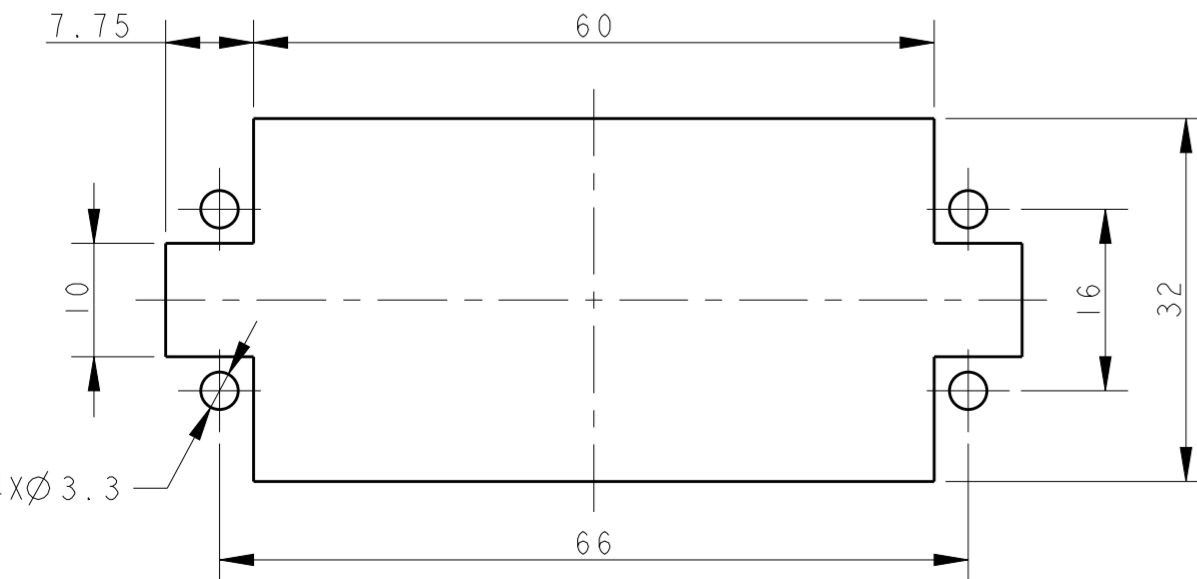
DETAIL C



M4 SCREW
 RECOMMENDED TIGHTENING TORQUE 1.2Nm
 M4螺丝
 推荐锁紧力矩1.2Nm

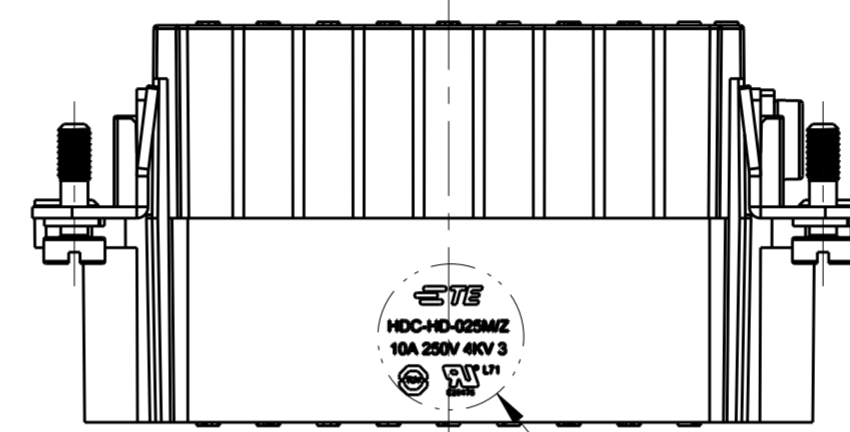
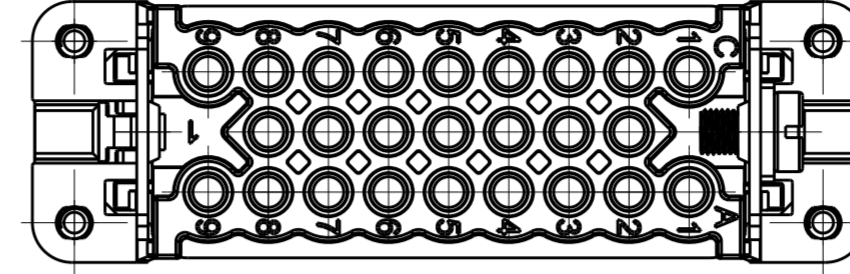


DETAIL C SCALE 5:1

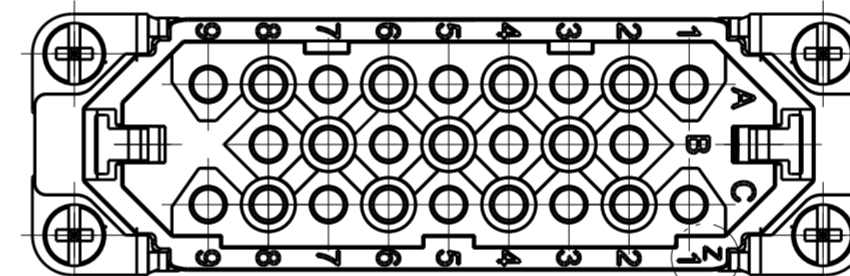


PANEL CUT OUT FOR INSERTS FOR USE WITHOUT HOODS/HOUSINGS

TYPT-2 / 类型-2

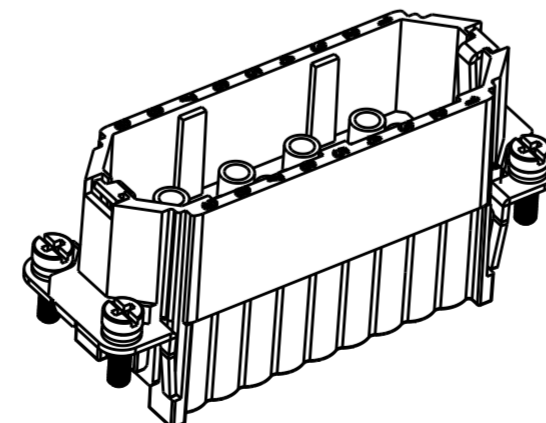


DETAIL A



DETAIL B

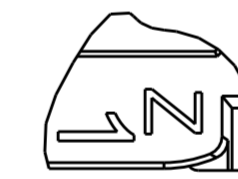
NOTE: TYPE-2 ALL THE DIMENSIONS ARE THE SAME WITH TYPE-1 EXCEPT THE LASER PRINT MARKINGS
 提示: 类型-2的所有尺寸与类型-1一致, 除了激光打标不一样, 详见视图



SCALE 1:1

- NOTES:
- TECHNICAL CHARACTERISTICS:
 INSULATION MATERIAL: PC
 RATED VOLTAGE: 250 V
 RATED CURRENT: 10 A
 INSULATION RESISTANCE: >=400MΩ
 RATED IMPULSE VOLTAGE: 4 KV
 POLLUTION DEGREE: 3
 FLAMMABILITY: UL94V-0
 MATING CYCLES: 500 CYCLES
 WIRE RANGE: 0.14-2.5 mm² (26-14 AWG)
 CONTACT TYPE: CRIMP CONTACT
 - CONTACT NEED TO BE ORDERED SEPARATELY.
 (ORDER No. REFER TO DRAWING: T20200X10XX000)

- 注释:
- 技术参数:
 绝缘材料: PC
 额定电压: 250V
 额定电流: 10A
 绝缘电阻: >=400MΩ
 额定脉冲电压: 4 KV
 污染等级: 3
 阻燃等级: UL94V-0
 插拔次数: 500次
 接线范围: 0.14-2.5 mm² (26-14 AWG)
 接线类型: 冷压接
 - 端子需要单独订购。
 (订货号参考图面: T20200X10XX000)



DETAIL B SCALE 5:1



DETAIL A SCALE 5:1

| | | | |
|-------------------|------------------------|--------------------------------------|----------------|
| T2020252101-Z00 | HD-025-M/Z | HD-025 MALE INSERT(Z) HD-025公插(Z) | TYPE-2 类型-2 |
| T2020252101-000 | HD-025-M | HD-025 MALE INSERT HD-025公插 | TYPE-1 类型-1 |
| PART NUMBER 料号 | PART DESCRIPTION 描述 | | TYPE 类型 |

| DIMENSIONS: | | TOLERANCES UNLESS OTHERWISE SPECIFIED: | | DWN 16DEC2014 RAGHAVENDRA H M | | APVD 16DEC2014 XU XIANG | | NAME HD-025-M | |
|-----------------|---------|--|---------|----------------------------------|----------------|---------------------------------|--------------------|----------------------------|--------------------------------|
| mm | 0 PLC ± | 1 PLC ± | 2 PLC ± | 3 PLC ± | 4 PLC ± | ANGLES ± | FINISH | PRODUCT SPEC 108-137042 | APPLICATION SPEC 114-137042 |
| MATERIAL TBD | | | | | | | | WEIGHT - | CUSTOMER DRAWING |
| | | | | SIZE A2 | CAGE CODE - | DRAWING NO. G-T2020252101000 | RESTRICTED TO - | SCALE 3:2 | SHEET 1 OF 1 |
| | | | | | | | | REV BI | |