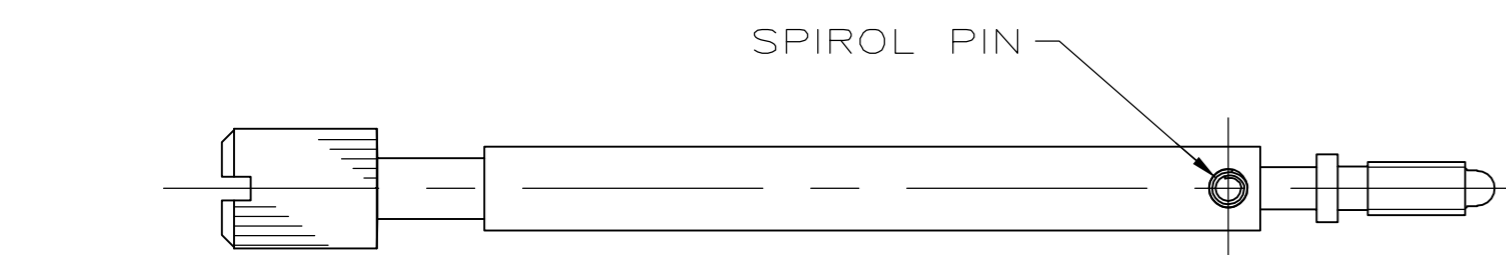
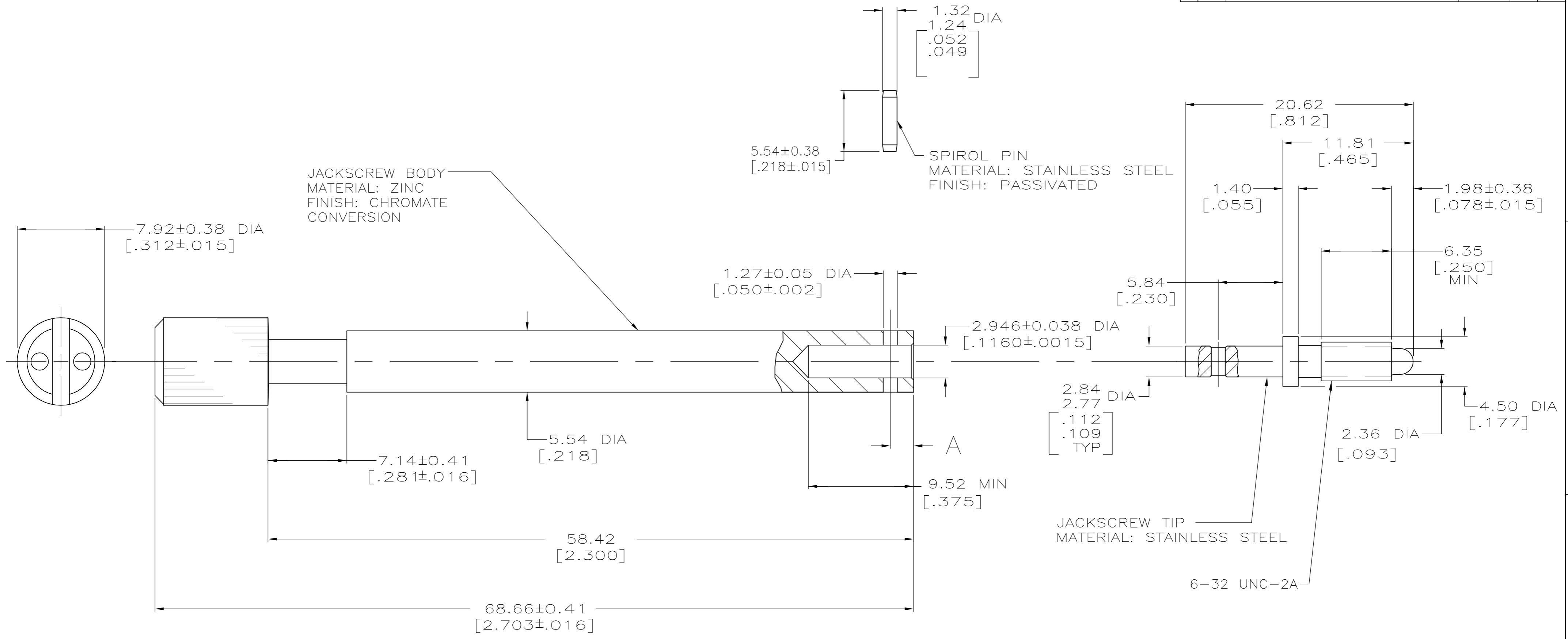


THIS DRAWING IS UNPUBLISHED. RELEASED FOR PUBLICATION  
 © COPYRIGHT BY TYCO ELECTRONICS CORPORATION. ALL RIGHTS RESERVED.

LOC		DIST		REVISIONS			
P	LTR	DESCRIPTION		DATE	DWN	APVD	
		C1		REVISED PER ECO-06-25037	11/7/06	SS	GS



ASSEMBLED VIEW

- ⚠ CHROMATE CONVERSION WITH HEXAVALENT CHROMATE.
- ⚠ CHROMATE CONVERSION WITHOUT HEXAVALENT CHROMATE.

OBSOLETE	⚠	2.87 [.113]	207234-5
	⚠	2.11 [.083]	207234-3
	⚠	2.87 [.113]	207234-1
NOTES	A	PART NUMBER	

THIS DRAWING IS A CONTROLLED DOCUMENT.		DWN	B. CARBO	29 FEB 96	 Tyco Electronics Corporation Harrisburg, PA 17105-3608
DIMENSIONS: mm [INCHES]		CHK	R. STONE	18 MAR 96	
TOLERANCES UNLESS OTHERWISE SPECIFIED:		APVD	G. STEINHAUER	17 APR 96	
0 PLC ± - 1 PLC ± - 2 PLC ± 0.13 [.005] 3 PLC ± - 4 PLC ± - ANGLES ± - FINISH -		PRODUCT SPEC	NAME		
MATERIAL		APPLICATION SPEC	JACKSCREW KIT, UNASSEMBLED, MALE, LONG, FOR 75 & 104 PLACE SHIELDS, M SERIES		RESTRICTED TO
		WEIGHT	A2 00779 C=207234		
		CUSTOMER DRAWING	SCALE	4:1	SHEET 1 of 1
				REV	C1