

SPECIFICATION

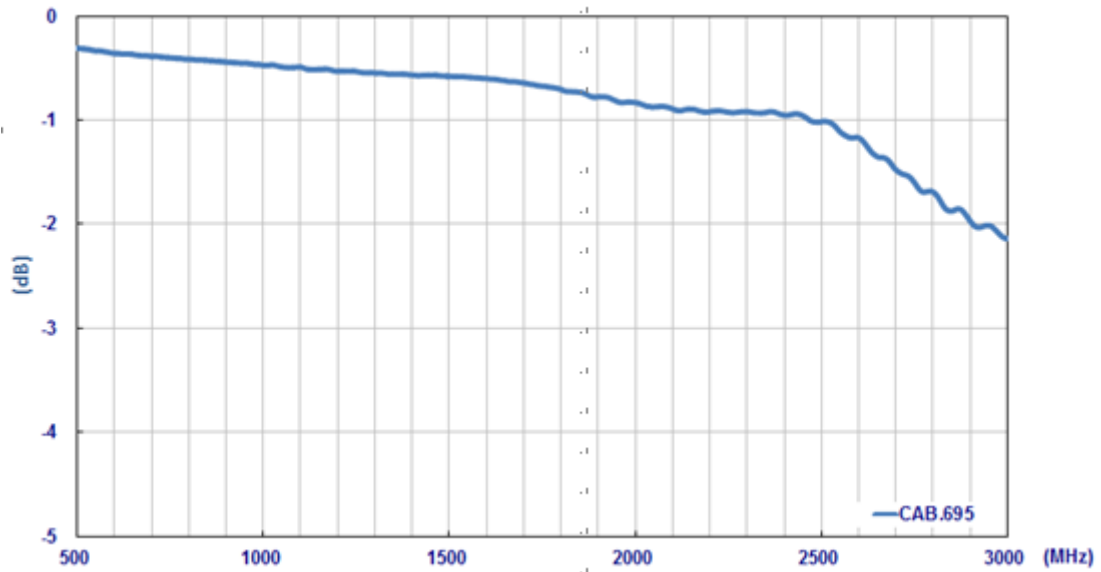
Part No. : **CAB.695**

Product Name : Taoglas Cable Assembly
IPEX MHFI to FME Bulkhead Straight Jack RG-178 100mm
DC-200MHz

Photo :



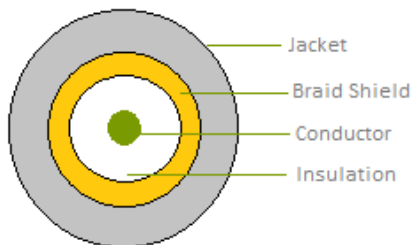
1. Cable Insertion Loss



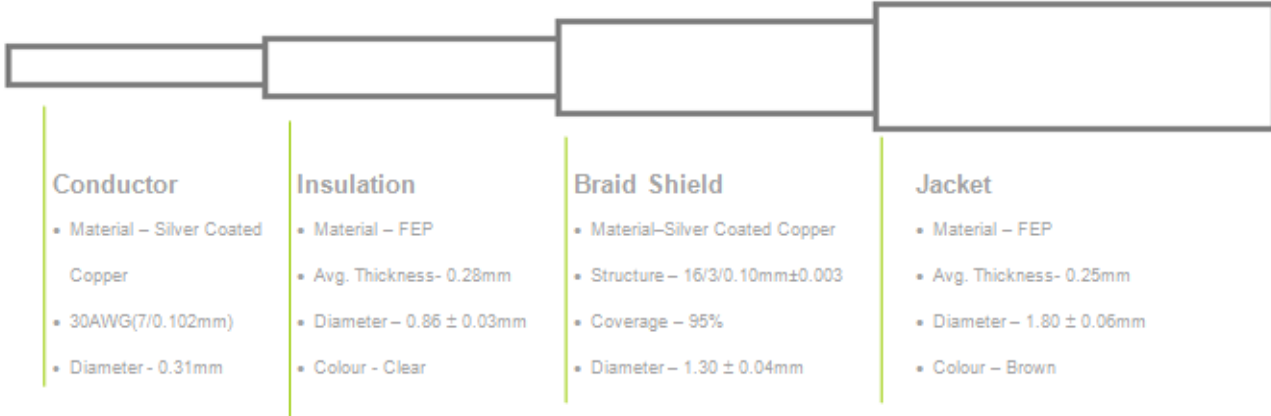
(Note: FME connector operation frequency range:DC-200MHz)

2. RG-178 Cable Specification

2.1 Drawing – Cross Section



2.2 Structure and Dimensions

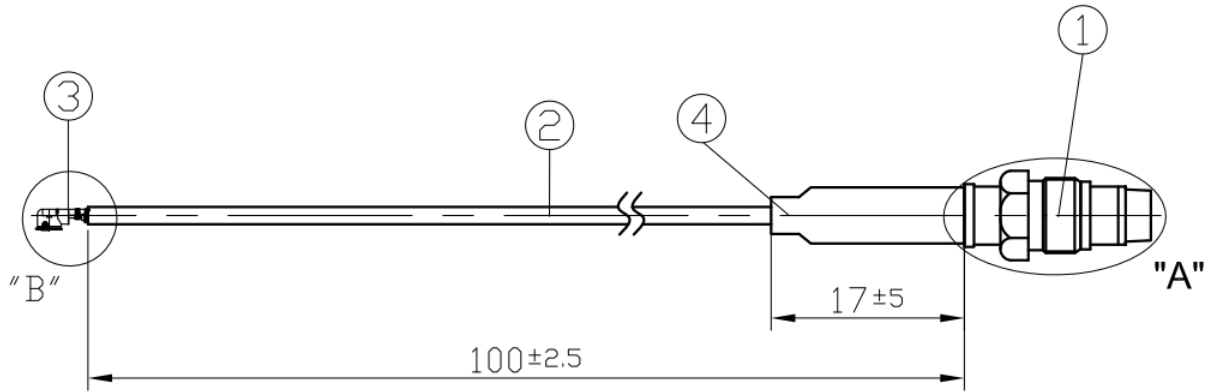


2.3 Electrical & Physical Specification

1	Item:	30 AWG		
2	Rating Temp Voltage:	105°C 30V UL 1979		
3	Insulation Resistance:	3000 MEGA OHM-KM Min.		
4	Conductor Resistance:	838 OHM/KM/20°C Max.		
5	Dielectric Strength:	AC 1.0 KV/minute		
6	Spark test:	2.5 KV		
7	Insulation	Unaged	Tensile Strength	2500 PSI Min.(1.76Kg/mm ²)
			Elongation	200% min.
	Aged	Tensile Strength	Unaged Min 75%(168HRS*232°C)	
		Elongation	Unaged Min 75%(168HRS*232°C)	
8	Jacket	Unaged	Tensile Strength	2500 PSI Min.(1.76Kg/mm ²)
			Elongation	200% min.
	Aged	Tensile Strength	Unaged Min 75%(168HRS*232°C)	
		Elongation	Unaged Min 75%(168HRS*232°C)	
9	Nom. Impedance	50 ± 3 Ohms		
10	Nom. Capacitance	95.8 ± 3 pF/m		
11	Nom. Vel. Of Prop.	69.5%		
12	VSWR (0-6GHz)	Max 1.3		
13	Attenuation (dB/1M)	1.0GHz	1.70	
		2.0GHz	2.50	
		3.0GHz	3.20	
		4.0GHz	3.60	
		5.0GHz	3.95	
		6.0GHz	4.80	

3. Technical Drawing

3.1 CAB.695



	Name	Material	Finish	QTY
1	FME(F)	Brass	Ni Plate	1
2	RG178	FEP	Brown	1
3	IPEX MHFI	Brass	Gold	1
4	Heat Shrink Tube	PE	Black	1

3.2 Connectors

