

SL900A

EPC Class 3 Sensory Tag Chip - For Automatic Data Logging

General Description

The SL900A is an EPCglobal Class 3 sensory tag chip optimized for single-cell and dual-cell, battery-assisted smart labels with sensor functionality. The chip is ideal for applications using thin and flexible batteries but can also be powered from the RF field (electromagnetic waves from an RFID reader).

The chip has a fully integrated temperature sensor with a temperature range -40°C to 90°C. The external sensor interface provides a flexible way of adding additional sensors to the system and supports up to 2 external sensors.

Ordering Information and Content Guide appear at end of datasheet.

Key Benefits & Features

The benefits and features of SL900A, EPC Class 3 Sensory Tag Chip - For Automatic Data Logging are listed below:

Figure 1:
Added Value of Using SL900A 4

Benefits	Features
<ul style="list-style-type: none"> Versatile temperature and data logging 	<ul style="list-style-type: none"> Operating temperature range: -40°C to 125°C
<ul style="list-style-type: none"> Temperature sensor on chip 	<ul style="list-style-type: none"> Temperature range -40°C to 90°C
<ul style="list-style-type: none"> Worldwide EPC compliant 	<ul style="list-style-type: none"> Frequency: 860 to 960 MHz
<ul style="list-style-type: none"> Works fully passive or in BAP mode 	<ul style="list-style-type: none"> Battery supply: 3V or 1.5V
<ul style="list-style-type: none"> Programmable logging modes with various sensors 	<ul style="list-style-type: none"> Data logging from: <ul style="list-style-type: none"> On-chip temperature sensor 2 external sensors
<ul style="list-style-type: none"> Works with EPC readers 	<ul style="list-style-type: none"> EPC Class 1 and Class 3 compliant
<ul style="list-style-type: none"> Provides supply for external sensors 	<ul style="list-style-type: none"> Energy harvesting from reader field
<ul style="list-style-type: none"> Autonomous data logging with timestamp 	<ul style="list-style-type: none"> Real-time clock for data logging
<ul style="list-style-type: none"> Sensor alert function 	<ul style="list-style-type: none"> External sensor interrupt capability
<ul style="list-style-type: none"> Supports fast communication via slave SPI 	<ul style="list-style-type: none"> Serial peripheral interface

Benefits	Features
<ul style="list-style-type: none"> Storage up to 841 temperature measurements 	<ul style="list-style-type: none"> On-chip 9kbit EEPROM
<ul style="list-style-type: none"> Alert for shelf life expiration 	<ul style="list-style-type: none"> Integrated dynamic shelf life calculation
<ul style="list-style-type: none"> Programmable sensor limits 	<ul style="list-style-type: none"> Advanced logging with 4 user-selectable limits
<ul style="list-style-type: none"> Package options 	<ul style="list-style-type: none"> 16-pin QFN (5mm x 5mm), engineering sample only Tested sawn wafer on foil (8")

Applications

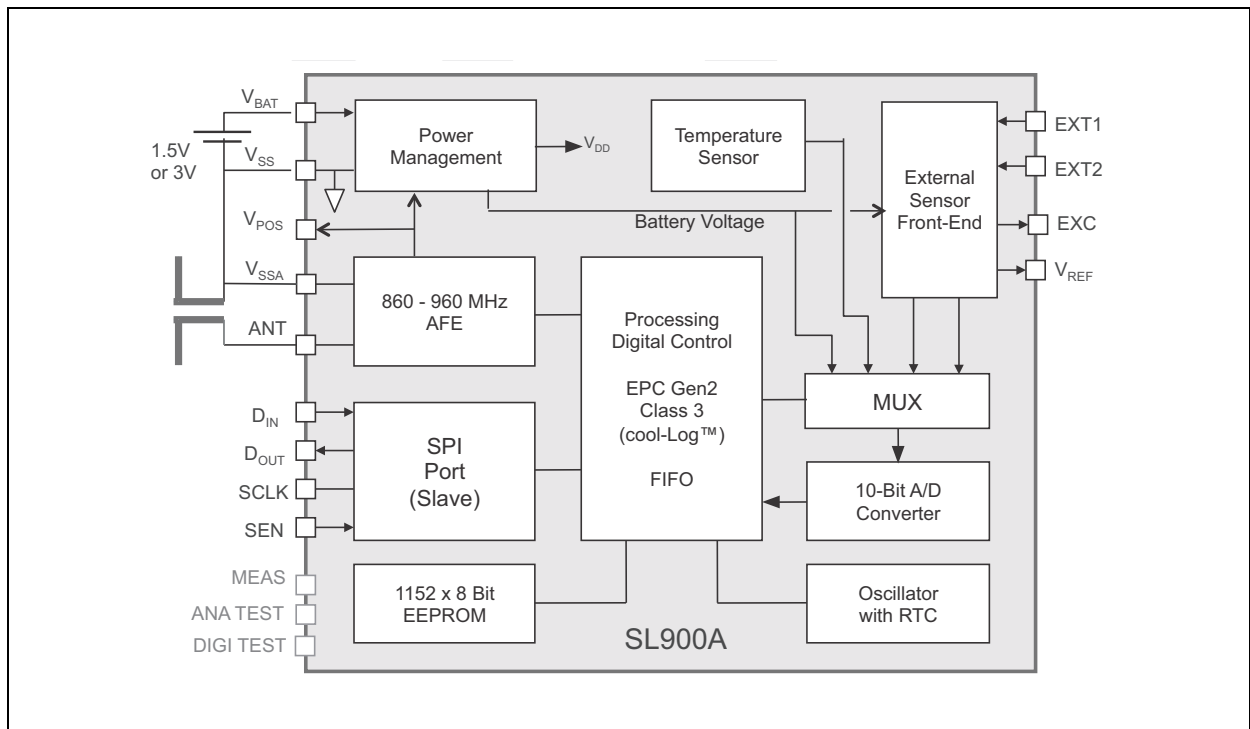
The SL900A device is ideal suited for:

- Monitoring and tracking of temperature-sensitive products
- Temperature monitoring of medical products
- Pharmaceutical logistics
- Monitoring of fragile goods transportation
- Dynamic shelf life applications
- RFID to SPI interface

Block Diagram

The functional blocks of this device are shown below:

Figure 2:
SL900A Block Diagram



SL900A Block Diagram: Basic block diagram of SL900A

Pin Assignment

The SL900A QFN-16 pin assignments are described below.

Note(s): The QFN are for ES only and the temperature performance is not guaranteed.

Figure 3:
QFN-16 Pin Layout

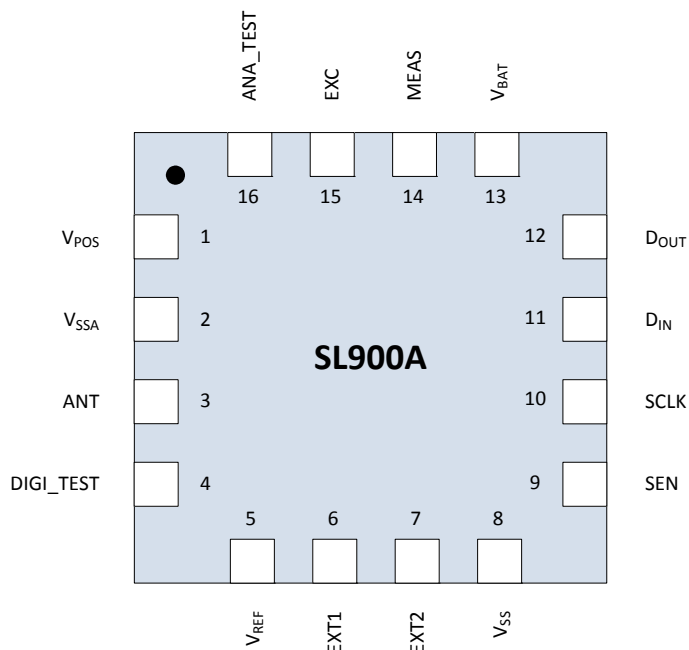


Figure 4:
QFN-16 Pin Description

Pin Number	Pin Name	Description
1	V _{POS}	RF rectifier output
2	V _{SSA}	Chip substrate ground – connect to antenna ground
3	ANT	Antenna connection
4	DIGI_TEST	Test input – must be left open
5	V _{REF}	Reference voltage output (Vo2)
6	EXT1	Analog input for external sensor
7	EXT2	Analog input for external sensor
8	V _{SS}	Chip substrate ground – connect to negative battery terminal. Recommended to connect to V _{SSA} .
9	SEN	Enable input for the SPI interface (Active high)
10	SCLK	SPI clock
11	D _{IN}	SPI data input

Pin Number	Pin Name	Description
12	D _{OUT}	SPI data output (note that this does not support Tri-state)
13	V _{BAT}	Positive supply input
14	MEAS	Test pin for use during test – must be left open
15	EXC	Supply voltage for the external sensors or a AC signal source for external sensors
16	ANA-TEST	Analog test pin – must be left open

Pin Description: This table shows a detailed pin description of the SL900A.

Bare Die Pads Layout

Pad Diagram

Figure 5:
Pad Location Diagram

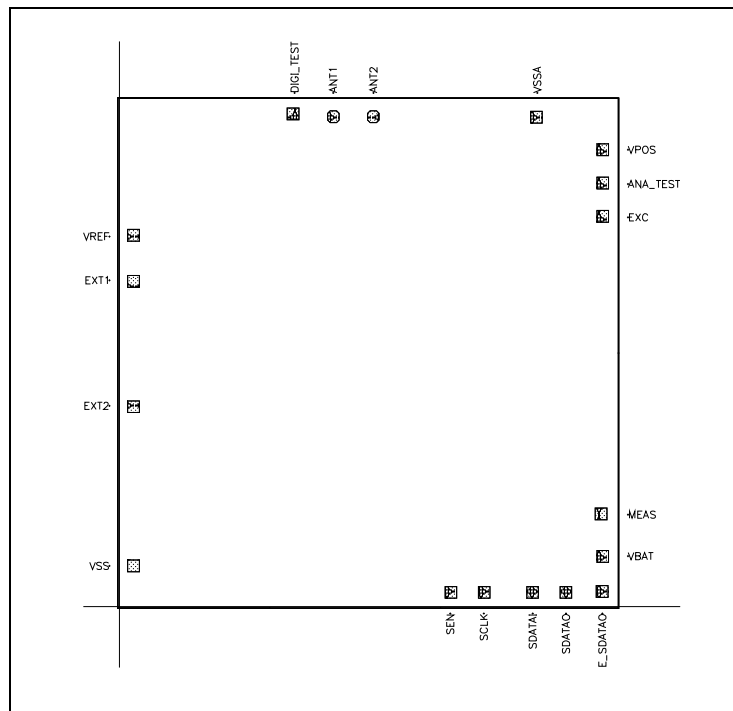
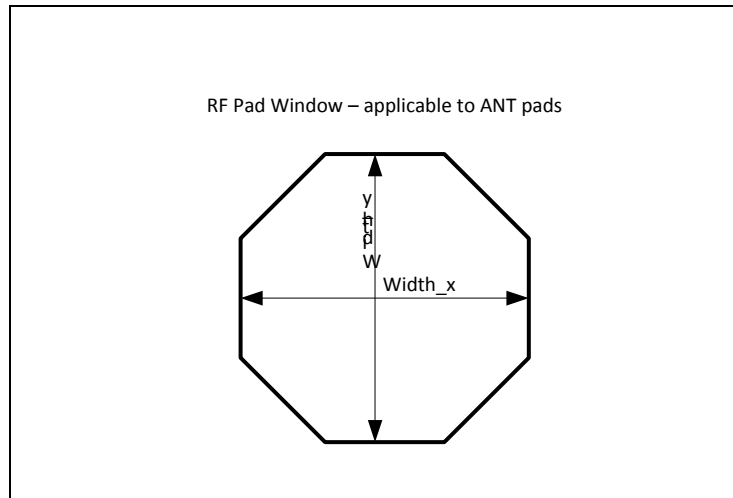
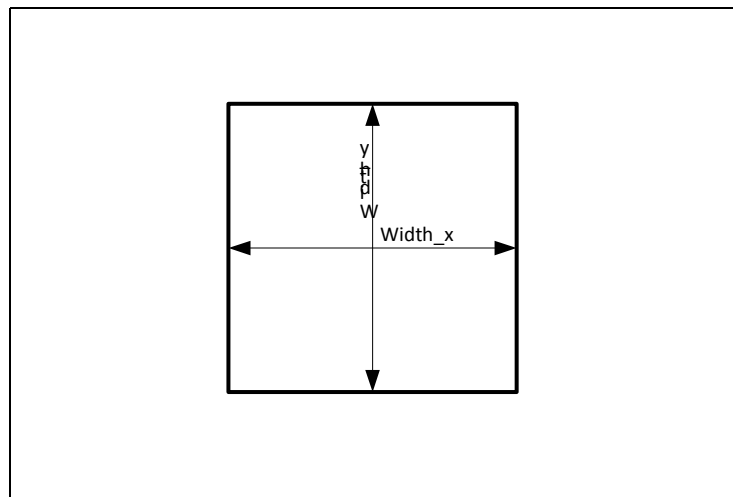


Figure 6:
RF Pad Window (applicable to ANT1 and ANT2 pads)



- RF pads have only top metal layers connected to ANT1 and ANT2.
- An additional polysilicon shield is connected to the substrate supply ring (VSS).
- Overlap of metal over passivation opening is 7µm.
- Overlap of polysilicon shield over Metal is 2.8µm.

Figure 7:
Pad Window (applicable to all pads except ANT1 and ANT2)



- Regular bonding pads have all metal layers connected, no other different layers except metal underneath the pads.
- Overlap of all Metal layers over passivation opening is 5µm.

Pad Description

Figure 8:
Pad Parameters

Pad Name	X Position (µm)	Y Position (µm)	Pad Window (µm)	Type	Bumps size (µm)
V _{REF}	77.5	2040.5	64x64	Analog output	70x70
EXT1	77.5	1787.5	64x64	Analog input/output	70x70
EXT2	77.5	1098.5	64x64		
V _{SS}	77.5	223.5	64x64	Supply	70x70
S _{EN}	1822.5	77.5	64x64	Digital input	70x70
SCLK	2005.5	77.5	64x64		
SDATAI	2271.5	77.5	64x64		
SDATAO	2454.5	77.5	64x64	Digital output	70x70
E_SDATAO	2653.5	82.5	64x64	Test	
V _{BAT}	2657.5	275.5	64x64	Supply	70x70
MEAS	2648.3	509.15	64x64	Test	70x70
EXC	2657.5	2144.5	64x64	Analog output	
ANA_TEST	2657.5	2327.5	64x64	Test	70x70
V _{POS}	2657.5	2510.5	64x64	Analog output	70x70
V _{SSA}	2292.5	2689.5	64x64	Supply	
ANT2	1395.25	2692.25	See note (1)	Radio-frequency	70x70
ANT1	1176.75	2692.25	See note (1)		70x70
DIGI_TEST	955	2707.5	64x64	Test	

Pad Locations: Pad locations are measured from lower left chip edge to pad centre.

Note(s):

1. Octagonal – See RF Pad window. For bare die: ANT1 should be left unconnected, ANT2 connected to one side of the dipole antenna and V_{SSA}+V_{SS} connected to the other side of the dipole antenna.
2. Pad top layer metal thickness: 925nm
3. Nominal bump height: 15 µm
4. Nominal bump height tolerance: ±3 µm

Absolute Maximum Ratings

Stresses beyond those listed under [Absolute Maximum Ratings](#) may cause permanent damage to the device. These are stress ratings only. Functional operation of the device at these or any other conditions beyond those indicated under [Operating Conditions](#) is not implied. Exposure to absolute maximum rating conditions for extended periods may affect device reliability.

Figure 9:
Absolute Maximum Ratings (operating free-air temperature range, unless otherwise noted)

Symbol	Parameter	Min	Max	Units	Comments
	Input voltage range	-0.3	3.7	V	All voltage values are with respect to substrate ground terminal V_{SS}
	Maximum current V_{POS}		100	mA	ANT pin
ESD_{HBM}	Electrostatic discharge, rating, HBM	± 2		kV	All pins except ANT
		± 500		V	RF input pin ANT
T_J	Maximum operating virtual junction temperature		150	$^{\circ}C$	
T_{Strg}	Storage temperature range	-65	150	$^{\circ}C$	
T_{Body}	Package body temperature, (soldering, 10s)		260	$^{\circ}C$	IPC/JEDEC J-STD-020 The reflow peak soldering temperature (body temperature) is specified according to IPC/JEDEC J-STD-020 "Moisture/Reflow Sensitivity Classification for Non-hermetic Solid State Surface Mount Devices." The lead finish for Pb-free leaded packages is "Matte Tin" (100% Sn).
RH_{NC}	Relative humidity (non-condensing)	5	85	%	
MSL	Moisture sensitivity level	3			Maximum floor life time of 168h

Symbol	Parameter	Min	Max	Units	Comments
t_{STRG_WP}	Storage time for WP/Wafers or Die in waffle pack		6	months	17-28°C 40-60% relative humidity storage in original Ultrapack boxes
t_{STRG_WP}	Storage time for WP/Wafers or Die in waffle pack		2	years	19-25°C <15% relative humidity storage in closed cabinet with dry air
t_{STRG_WP}	Storage time for WP/Wafers or Die in waffle pack		5	years	19-25°C <5% relative humidity storage in closed cabinet with dry air
t_{STRG_WP}	Storage time for WP/Wafers or Die in waffle pack		10	years	19-25°C <5% relative humidity storage in closed cabinet and closed Ultrapak box with safeguarded Nitrogen atmosphere

Electrical Discharge Sensitivity

This integrated circuit can be damaged by ESD. We recommend that all integrated circuits are handled with appropriate precautions. Failure to observe proper handling and installation procedures can cause damage. ESD damage can range from subtle performance degradation to complete device failure.

Precision integrated circuits may be more susceptible to damage because very small parametric changes could cause the device not to meet the published specifications. RF integrated circuits are also more susceptible to damage due to use of smaller protection devices on the RF pins, which are needed for low capacitive load on these pins.

Operating Conditions

Figure 10:
Operating Conditions

Symbol	Parameter	Min	Typ	Max	Units
V_{BAT3V}	Input supply voltage with 3V battery	2.3	3.0	3.4	V
V_{BAT1_5V}	Input supply with 1.5V battery	1.2	1.5	1.8	V
T_A	Operating ambient temperature range	-40		125	°C

Electrical Characteristics

All limits are guaranteed. The parameters with min and max values are guaranteed with production tests or SQC (Statistical Quality Control) methods.

$T_A = -40^{\circ}\text{C}$ to 125°C , $V_{\text{BAT}} = 3.0\text{V}$, unless otherwise noted. Typical values are at $T_A = 25^{\circ}\text{C}$ ⁽¹⁾.

Figure 11:
Electrical Characteristics

Symbol	Parameter	Conditions	Min	Typ	Max	Units
$V_{\text{BAT}3\text{V}}$	Operating input voltage 3V battery	$T_A = 25^{\circ}\text{C}$	2.3		3.4	V
$V_{\text{BAT}1.5}$	Operating input voltage 1.5V battery	$T_A = 25^{\circ}\text{C}$	1.2		1.8	V
$V_{\text{BAT}(\text{SU})}$	Minimum start-up input voltage	$T_A = 25^{\circ}\text{C}$		1.3		V
$I_{\text{BAT-OP}15}$	Operating current into V_{BAT}	Temperature conversion, $V_{\text{BAT}}=1.5\text{V}$		200	250	μA
$I_{\text{BAT-OP}30}$	Operating current into V_{BAT}	Temperature conversion, $V_{\text{BAT}}=3\text{V}$		283	350	μA
$I_{\text{BAT-Q}15}$	Active mode current into V_{BAT}	$V_{\text{BAT}} = 1.5\text{V}$; RTC on		1.6		μA
$I_{\text{BAT-Q}30}$	Active mode current into V_{BAT}	$V_{\text{BAT}} = 3.0\text{V}$; RTC on		3.2		μA
$I_{\text{BAT-SD}15}$	Standby mode current into V_{BAT}	$V_{\text{BAT}} = 1.5\text{V}$, RTC off		0.5		μA
$I_{\text{BAT-SD}30}$	Standby mode current into V_{BAT}	$V_{\text{BAT}} = 3.0\text{V}$; RTC off		0.7		μA
I_{EXT}	Maximum current from V_{POS} pin	In electromagnetic field		200		μA
$V_{\text{POS-I}}$	V_{POS} limiter point	In electromagnetic field		3.4		V
ANTI-QFN	Antenna pad impedance	Measured at 915MHz, QFN package for PCB assembly		123-j303		Ω
ANTI-DIE	Antenna pad impedance	Measured at 915MHz, bare die for inlay assembly ⁽²⁾		218-j386		Ω
ANTS	Antenna pad sensitivity	Measured at 900MHz, battery assisted mode		-15		dBm
ANTS-QFN	Antenna pad sensitivity	Measured at 915MHz, without battery, QFN package for PCB assembly		-6.9		dBm
ANTS-DIE	Antenna pad sensitivity	Measured at 915MHz, without battery, bare die for inlay assembly		-7		dBm

Symbol	Parameter	Conditions	Min	Typ	Max	Units
V_{IL}	Voltage input threshold, low (SEN, SCLK, DIN)	$V_{BAT} = 1.5V$		0.4		V
		$V_{BAT} = 3V$		1		V
V_{IH}	Voltage input threshold, high (SEN, SCLK, DIN)	$V_{BAT} = 1.5V$		1		V
		$V_{BAT} = 3V$		2.1		V
V_{OL}	Voltage output threshold low, D_{OUT} pin	$V_{BAT} = 1.5V$, $I_{DOUT} = 1mA$	V_{SS}		450	mV
		$V_{BAT} = 3V$, $I_{DOUT} = 1mA$	V_{SS}		300	mV
V_{OH}	Voltage output threshold high, D_{OUT} pin	$V_{BAT} = 1.5V$, $I_{DOUT} = -1mA$	1		V_{BAT}	V
		$V_{BAT} = 3V$, $I_{DOUT} = -1mA$	2.7		V_{BAT}	V
f_{SCLK}	SCLK serial data clock	$V_{BAT} = 1.5V$			1	MHz
		$V_{BAT} = 3V$			5	MHz
f_c	Carrier frequency		860		960	MHz
T_{S-R}	Default temperature sensor range		-40		90	°C
T_{SRB}	Temperature sensor accuracy	0°C to 40°C in logging mode, no RF field present ⁽³⁾	-1.0		1.0	°C
A/D_{DNL}	A/D differential non-linearity			0.5		LSB
A/D_{INL}	A/D integral non-linearity			4		LSB
t_{sens}	Measurement interval	Programmable	1		32768	s
t_{RTC-I}	Real-time clock, interval			1		s
t_{RTC-A}	Real-time clock, accuracy	Over -20°C to 60°C temperature range, $V_{BAT}=2.4 - 3.4V$	-3		+3	%
t_{RTC-CA}	Real-time clock, calibration accuracy	$T_A = 35°C$	-0.2		+0.2	%
EW_{CYC}	EEPROM erase/write cycles	$T_A = 25°C$	100000			Cycles
t_{DR}	EEPROM data retention time	$T_A = 125°C$	20			Years
$t_{E/W}$	EEPROM erase/write speed		7		7.5	ms

Symbol	Parameter	Conditions	Min	Typ	Max	Units
r_{EXC}	EXC pin output resistance	EXC internally connected to V_{BAT} for ext. sensor supply		400		Ω
r_{EXT}	External sensor interface pads resistance (EXT1, EXT2, V_{REF})			200		Ω

Note(s):

- Limits are 100% production tested at $T_A = 35^\circ\text{C}$. Limits over the operating temperature range are guaranteed by design.
- Assembled die impedance will vary from the die impedance shown here due to factors such as the material used e.g. copper or aluminium, glue used and pressure during assembly.
- Temperature accuracy is based on measured performance on wafer at 3.0V. Assembly method can influence the temperature sensor accuracy.

Figure 12:**Typical Current Consumptions at 3V Over Temperature -20°C to 85°C**

Symbol	Description	-20°C	25°C	85°C
IBAT-SD @ 3V	Standby current from VBAT. RTC off	0.7 μA	0.69 μA	1.65 μA
IBAT-Q @ 3V	Active current from VBAT. RTC on	3.25 μA	3.20 μA	4.1 μA
IBAT-OP30 @ 3V t_{Tlog} IBAT-PK30	Average logging current- temperature only	280 μA	283 μA	278 μA
	Average logging time – temperature only	20.2 ms	20.4 ms	21 ms
	Peak current	1.85 mA	2.3 mA	2.45 mA

Short Description

The SL900A is designed for use in smart active labels (SAL), semi-passive labels and passive labels. Smart active labels are defined as thin and flexible labels that contain an integrated circuit and a power source. SAL includes in its definition both “fully active” smart labels, and semi-active smart labels, also known as battery-assisted back-scattered passive labels, both of which enable enhanced functionality and performance over passive labels. The IC includes sensor functionality and logging of sensor data (see Figure 13 below).

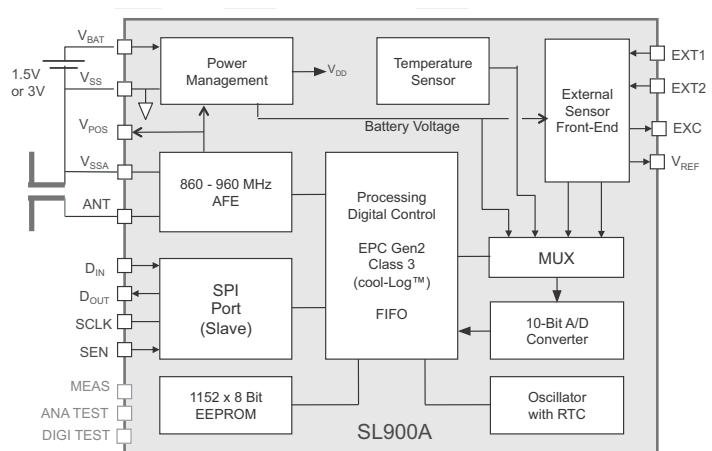
The SL900A is operating at 860 to 960 MHz and is fully EPCglobal Class 1 compliant. The chip is supplied from a single-cell battery of typically 1.5V, or from a dual cell battery (3V).

3V batteries are recommended because of the wider operating voltage range. The on-chip temperature sensor and real-time clock (RTC) accommodate temperature data logging.

Supply Arrangement

The SL900A is supplied from either the battery or through the electromagnetic waves from a reader. The device is normally supplied from the battery unless there is no battery attached (passive label), or when the battery is drained. In Battery Assisted Passive Mode the chip can be supplied by either a 3V or a 1.5V battery. A 3V battery is recommended as there is a wider operating voltage range with 3V. At power up a battery check is carried out to determine if a 3V or 1.5V battery is connected. It is strongly recommended after first connection of a battery that an inventory round is performed and the custom command Get Battery Level with battery retrigger is executed. This will repeat the battery check when the battery voltage is stable and ensure the correct battery type 3V or 1.5V type selection is selected.

Figure 13:
Block Diagram



Analog Front End (AFE)

The analog front end is designed according to EPC Gen 2. The forward link (reader to tag) is amplitude modulated and the backward link (tag to reader) is amplitude modulated (load modulation is used). Please note for QFN the ANT pin is connected to one side of the dipole antenna and VSSA+VSS are connected to the other side as shown in [Figure 13](#). For bare die ANT1 should be left unconnected, ANT2 should be connected to one side of the dipole and VSSA+VSS connected to the other.

Processing and Digital Control

The SL900A is fully EPC Class 1 compliant, with additional custom commands for extended functions. The maximum transponder to interrogator data rate according to Class 1/Gen.2 is 640 kbit/s. The maximum interrogator to transponder data rate is 160 kbit/s.

Figure 14:
Supported Data Rates

Data Rate	Min	Max
Interrogator to transponder	40 kbit/s	160 kbit/s
Transponder to interrogator	5 kbit/s	640 kbit/s

Serial Interface (SPI Slave)

The integrated serial interface (SPI) can be used to initialize the chip and to set the parameters. The logging procedure can be started and stopped with the SPI. The SPI bus can also be used for the communication between a microcontroller that is attached to the SL900A and the RFID reader.

Real-Time Clock (RTC)

The on-chip real-time clock (RTC) is started through the START LOG command in which the start time is programmed in UTC format. The interval for sensing and data logging can be programmed in the range from 1 second up to 9 hours. The accuracy of the timer is $\pm 3\%$. The timer oscillator is calibrated at 35 °C within $\pm 0.2\%$.

Temperature Sensor

The on-chip temperature sensor is set with a default temperature range of -40°C to 90°C and can measure the temperature in the range from 0°C to 40°C with an accuracy of $\pm 1.0^\circ\text{C}$. The temperature sensor is calibrated at $V_{\text{BAT}}=3.0\text{V}$ and accuracy is only guaranteed in logging mode and not in the presence of a strong RF field. A strong RF field can produce self heating of the chip. Please note the assembly method used can affect the temperature sensor accuracy.

The temperature sensor can be reconfigured for other temperature ranges but the sensor will need recalibrating if the range is changed from the default values.

External Sensors

The on-chip external sensor front end provides a flexible interface for analog external sensors. It has an auto-range and interrupt function. It supports various types of analog sensors from pressure, humidity, temperature, light ...

Analog to Digital Converter

The chip has an integrated 10-bit analog to digital converter with selectable voltage references. It is used for conversion of temperature, external sensors and battery voltage.

External Sensor Interrupt

The external sensor inputs EXT1 and EXT2 can be used for event-triggered logging. In this mode, the logging is not triggered in predefined time intervals from the internal timer, but can be triggered externally, either with a sensor, switch or a microcontroller.

The interrupt source can be the EXT1, EXT2 input or both, where the EXT1 input has the higher priority. The user application can select which measurements are triggered by the interrupt event.

In the interrupt mode, the sensor value is stored together with the 32-bit real time clock value. For a correct real-time clock value, the correct Start time has to be supplied. The interrupt mode is started with the START LOG command and the correct setting in the registers (SET LOG MODE command).

Data Protection

Additional to the Gen2 lock protection, the SL900A offers read/write protection using 3 password sets for 3 memory areas. Each 32-bit password is divided into 2 16-bit passwords, where the lower 16 bits are reserved for the Write protection and the higher 16 bits are reserved for the Read/Write protection.

Shelf Life

The SL900A device has an integrated shelf life algorithm that can dynamically calculate the remaining shelf life of the product. It has an automatic alarm function for the shelf life expiration. This can be used to directly drive a LED or as an interrupt for an external microcontroller.

Memory Arrangement

The SL900A device has an integrated 9kbit EEPROM. It is organized into 5 memory banks shown below.

Figure 15:
Memory Arrangement

Memory Bank	Bank Size (bits)	Comments
SYSTEM	512	System parameters like calibration data and log parameters. Individual areas of System memory are accessible over RF using a range of cool-Log commands (EPC Custom commands) but not Read or Write commands.
RESERVED	64	Access and Kill password
EPC	144	PC and EPC value
TID	80	Unique identifier – programmed and locked during production
USER	8416	Application and measurement data

System Description

Figure 17 shows the different states and their interactions.
Figure 25 shows the command overview.

Initializing the Chip

A virgin chip (not initialized) can be initialized either through the SPI port or through the electromagnetic field from a reader in the standby mode. The power source is either from a battery (V_{BAT}) or extracted from the RF field via the AFE circuit. After the initializing procedure, the chip will enter the ready mode. To ensure correct operation of the chip in BAP mode, after first connection of a battery an inventory round should be completed and the custom command Get Battery Level with battery retrigger should be executed. This will ensure the correct battery type 1.5V or 3V is selected.

Power Modes

Standby Mode

In passive mode, all blocks in the chip including the RTC are turned off and only the leakage current is flowing. When the label enters an RF field, it will go from Standby mode to Ready mode. If the SEN pin rises high, the chip will go from the Standby mode to the serial mode

Ready Mode

In the ready mode, all parameters can be set, read and changed through a reader with the appropriate passwords.

Active Mode

In active mode, the real-time clock (RTC) is running, the desired parameters are set, and the on-chip temperature sensor is in standby.

Interrupt Mode

In the interrupt mode, the external sensor interrupt block is running with minimal power consumption. When the external sensor value exceeds a specified threshold, the chip goes into the logging mode where the selected sensor values and real time of the event are stored to the EEPROM.

In Interrupt mode the chip must be powered by the battery.

Logging Mode

A log flag from the timer will enable the logging mode in which the sensor and the A/D converter will be activated, and the measured value will be stored in the EEPROM together with the time of the event. If the external sensor flag is set, the external sensors will also be activated and the measured data stored. The A/D converter can be multiplexed between internal temperature sensor, external sensors or battery voltage. After the event, the chip will return to the active mode.

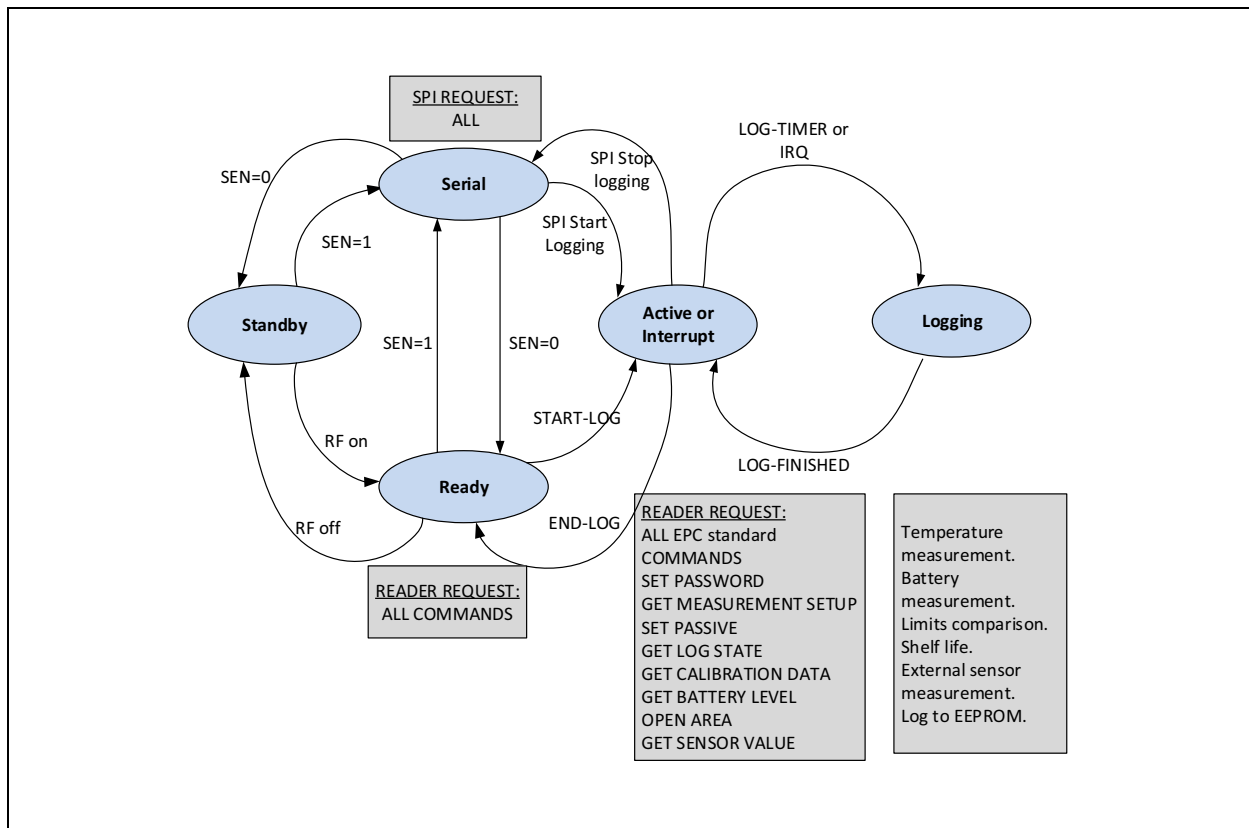
In logging mode, the chip must be powered by the battery.

Figure 16:
Modes of Operation

Mode	Description	IBAT (Typ.)	Power from AFE
Standby	In passive mode the chip is turned off and only the leakage current is flowing. RTC is off.	0.1 μ A	No
Serial	Enables initializing and executing of all commands via the SPI bus	50 μ A	No
Ready	Chip is initialized and all commands can be executed via the reader	50 μ A	Yes
Active	<ul style="list-style-type: none"> • RTC running • Sensor standby 	2 μ A	No
Interrupt	<ul style="list-style-type: none"> • RTC running • External sensor minimum supply 	2.5 μ A	No
Logging	<ul style="list-style-type: none"> • Sensor reading (on-chip temperature sensor, battery voltage level and/or external sensor through the MMI pin) • Measured data stored in EEPROM • RTC time stored in EEPROM 	180 μ A	No

State Diagram

Figure 17:
State Transition Diagram



Data Protection

Additional to the Gen2 lock protection, the SL900A offers read/write protection using 3 password sets for 3 memory areas. The System area is protected by the System password, the Application area is protected by the Application password, and the Measurement area is protected by the Measurement password. Each 32-bit password is divided into 2 16-bit passwords, where the lower 16 bits are reserved for the Write protection and the higher 16 bits are reserved for the Read/Write protection.

The password can be set either with the custom RFID command SET PASSWORD, or through the SPI, by writing the password to the password locations.

The password protection is activated immediately after the SET PASSWORD command. In case the passwords are written with the SPI interface, the protection is activated when the transponder re-enters an RF field.

Password protection does not block any read/write operation on the SPI interface; it is active only for the RFID interface.

Figure 18:
Password Storage in System Memory

Address	Data	Function
0x000	System Password [31:24]	System Password – read/write protect
0x001	System Password [23:16]	
0x002	System Password [15:8]	System Password - write protect
0x003	System Password [7:0]	
0x004	Application Password [31:24]	Application Password – read/write protect
0x005	Application Password [23:16]	
0x006	Application Password [15:8]	Application Password - write protect
0x007	Application Password [7:0]	
0x008	Measurement Password [31:24]	Measurement Password – read/write protect
0x009	Measurement Password [23:16]	
0x00A	Measurement Password [15:8]	Measurement Password - write protest
0x00B	Measurement Password [7:0]	

Data Log Functions

The SL900A device supports various flexible data log formats. The data log format depends on the Logging form. The data log formats are defined in [Figure 26](#).

The Logging form is set with the SET LOG MODE command and is stored in “Logging form [2:0]” (SPI address 0x026) bits in the EEPROM.

Figure 19:
Supported Logging Formats

Bit 2	Bit 1	Bit 0	Logging From	Description
0	0	0	Dense	All values are stored to the measurement area. No additional time information is stored to the measurement area.
0	0	1	All values out of limits	All values that are out of the specified limits are stored to the measurement area. Additional to the sensor value, also the measurement number is stored, so the application can reconstruct the time-sensor points.
0	1	1	Limits crossing	Only the crossing point of each limit boundary is stored. Additional to the sensor value, also the measurement number is stored, so the application can reconstruct the time-sensor points.
1	0	1	IRQ, EXT1	Interrupt triggered on the EXT1 external sensor input. At each trigger event the selected sensor values are stored. Additional to the sensor values, also the real-time clock offset is stored.
1	1	0	IRQ, EXT2	Interrupt triggered on the EXT2 external sensor input. At each trigger event the selected sensor values are stored. Additional to the sensor values, also the real-time clock offset is stored.
1	1	1	IRQ, EXT1, EXT2	Interrupt triggered on the EXT1 and EXT2 external sensor input. At each trigger event the selected sensor values are stored. Additional to the sensor values, also the real-time clock offset is stored.

When the “IRQ + timer enable” bit (Initialize command, SPI address 0x02A) is set to 1, the logging will be triggered on the selected time interval (timer) and also on an interrupt from external sensor1, sensor 2 or both – depending on the selected logging mode.

The Storage rule bit defines what happens when the logging area in the EEPROM is full.

Figure 20:
Storage Rule

Bit	Storage Rule	Description
0	Normal	When the logging area in the EEPROM is full, the chip does not store any new sensor data to the EEPROM, but it will still increment the measurement counter and RTC.
1	Rolling	When the logging area is full, the chip continues with writing new sensor data to the EEPROM from the beginning of the logging area. Thus the chip overwrites the old stored data and increments the “Number of memory replacements [5:0]” field in the System status group.

Limits Counter

The Limits counter can be used as an advanced alarm mechanism. It is enabled in all log formats and it will display the cumulative number of measurements that are outside limits. The application does not have to read the whole EEPROM content in order to determine if the temperature limits have been exceeded, just the Limits counter block. The Limits counter block can be read out with the GET LOG STATE command.

The system uses 4 limits that can be set by the user:

- Extreme upper limit
- Upper limit
- Lower limit
- Extreme lower limit

There is a dedicated 8-bit counter for each of the 4 limits in the Limits counter block. The appropriate counter will increment each time a sensor value is outside a limit.

The user can select which sensor will be used in the limits comparison. The internal temperature sensor is selected by default. Other sensors can be selected with the SET SFE PARAMETERS command with the “Verify sensor ID[1:0]” field (SPI address 0x018):

Figure 21:
Modes of Operation

Verify Sensor ID Bit 1	Verify Sensor ID Bit 0	Sensor Selected for Limits Comparison
0	0	Internal temperature sensor - DEFAULT
0	1	External sensor 1
1	0	External sensor 2
1	1	Battery voltage

Logging Timer

The SL900A device has an integrated RC oscillator that is calibrated to 1024Hz. This oscillator drives the logging timer. The logging timer resolution is 1 second. The maximum period is 9.1 hours (32768 seconds). The logging interval is programmed with the SET LOG MODE command.

The measurement real time is derived from 4 parameters - the Start time (ST), the Delay time (DT), the log interval (LT), and the # of the measurement (NM). This value has to be calculated in the reader by the equation:

$$(EQ1) \quad \text{Real time} = \text{ST} + \text{DT} + \text{LT} * \text{NM}$$

Delay Time

The SL900A supports delayed start of the logging procedure. The Delay time has a resolution of 8 minutes - 32 seconds (512 seconds) and a maximum value of 582 hours (12 bits). The delay time value is set with the Initialize command, while the Delay time counter starts counting when the device receives the START LOG command.

The delay time can also be disabled and an external push button can be used for starting the logging procedure.

Analog to Digital Conversion

The chip has an integrated analog to digital converter with 10-bit resolution and selectable voltage references. By default, the references are selected as: Vo1 = 0mV and Vo2 = 310mV. This results in a voltage input range of 310mV ~ 620mV, for the temperature conversion this is nominally -89.3°C ~ 94.6°C.

The voltage references are individually selectable in 50mV steps with a fine adjustment for offset calibration. Additionally, the Vo1 reference voltage can be tied directly to ground if the bit "gnd_switch" in the SET CALIBRATION DATA command is set to 1 (SPI address 0x012).

Figure 22:
AD Reference Voltages

Calibration Code	Vo1	Vo2
0b000	160mV	260mV
0b001	210mV	310mV
0b010	260mV	360mV
0b011	310mV	410mV
0b100	360mV	460mV
0b101	410mV	510mV
0b110	460mV	560mV
0b111	510mV	610mV

The Vo2 voltage defines the lower temperature limit for the temperature conversion.

Note(s): Normal operation is not guaranteed below -40 °C.

The temperature sensor produces an output Voltage V_{SENS} whose value is $V_{SENS} = (T + 273.15) / 593.12$ where T is the temperature in °C. This formula can be used to calculate the lower temperature limits for the different Vo2 values.

Figure 23:
Theoretical Lower Temperature Limit

Vo2	Lower Temperature Limit
260mV	-118.9 °C
310mV	-89.3 °C (default)
360mV	-59.6 °C
410mV	-30.0 °C
460mV	-0.3 °C
510mV	29.3 °C
560mV	59.0 °C
610mV	88.7 °C

Note(s): The lowest operating temperature for the chip is -40°C so in practice the lower temperature limit cannot be lower than -40°C.

The voltage difference between the Vo2 and Vo1 references define the resolution and temperature range.

Figure 24:
Temperature Conversion Resolution and Range

Vo2 - Vo1	Resolution	Range
310mV (default)	0.18 °C	183.9 °C
50mV	0.029 °C	29.7 °C
100mV	0.058 °C	59.3 °C
150mV	0.086 °C	89.0 °C
200mV	0.116 °C	118.6 °C
250mV	0.145 °C	148.3 °C
260mV	0.151 °C	154.2 °C
300mV	0.174 °C	177.9 °C
350mV	0.203 °C	207.6 °C
360mV	0.209 °C	213.5 °C
400mV	0.232 °C	237.2 °C

Example:

Vo1 = 0mV, Vo2 = 310mV -> A/D conversion temperature range = -89.3°C ~ 94.6 °C.

Temperature resolution = 0.18 °C.

The converted voltage can be calculated from the following equation:

$$(EQ2) \quad V_{\text{SENS}} = \text{code} \cdot \frac{V_{o2} - V_{o1}}{1024} + V_{o2}$$

Temperature Conversion

The calibration data does not have to be included in the temperature conversion equation. The temperature value calculation is dependent on the selected voltage references (see [Analog to Digital Conversion](#)):

$$(EQ3) \quad T \cdot (^{\circ}\text{C}) = \text{code} \cdot \text{Resolution} - \text{Low} \cdot \text{temp} \cdot \text{limit}$$

By default (factory setting), the voltage references are set: $V_{o1} = 0\text{mV}$, $V_{o2} = 310\text{mV}$. This yields a theoretical temperature conversion range of $-89.3^{\circ}\text{C} \sim 94.6^{\circ}\text{C}$ but the lower limit for the temperature sensor is limited to the lowest operating temperature of the chip which is -40°C . The temperature conversion equation for this setting is:

$$(EQ4) \quad T \cdot (^{\circ}\text{C}) = \text{code} \cdot 0,18^{\circ}\text{C} - 89,3^{\circ}\text{C}$$

$$(EQ5) \quad \text{LSB} = 0,18^{\circ}\text{C}$$

$$(EQ6) \quad \text{Offset} = (-89,3)^{\circ}\text{C}$$

If the reference voltages are set to some other value, the following equation needs to be used for temperature conversion:

$$(EQ7) \quad T \cdot (^{\circ}\text{C}) = \frac{V_{o2}[\text{mV}] \cdot (\text{code} + 1024) - \text{code} \cdot V_{o1}[\text{mV}]}{1024 \cdot 1,686} - 273,15$$

The V_{o1} and V_{o2} in the above equation have to be in mV. Note that if the reference voltages are changed the temperature sensor will need re-calibrating.

Battery Voltage Conversion

The battery voltage conversion is dependent on the initial battery voltage (1.5V or 3V) and on the selected voltage references (see [Analog to Digital Conversion](#)). The conversion equations with factory selected voltage references ($V_{o1} = 0\text{V}$, $V_{o2} = 310\text{mV}$) are:

For 1.5V battery, the equation is:

- $V = \text{code} \cdot 0.85\text{mV} + 873\text{mV}$
- $\text{LSB} = 0.85\text{mV}$
- $\text{Offset} = 873\text{mV}$

For 3V battery:

- $V = \text{code} \cdot 1.65\text{mV} + 1.69\text{V}$
- $\text{LSB} = 1.65\text{mV}$
- $\text{Offset} = 1.69\text{V}$

The code for the battery measurement is 10bits. This code is formed from 6 MSB bits from the logged battery measurement padded with 4 LSB 0s

Commands

Some commands can be password protected by 3 different passwords: System password (S), Application password (A) or Measurement password (M).

The cool-Log commands are defined as EPC custom commands. All custom commands have a 16-bit command code

Figure 25:.

EPC Gen2 and cool-Log™ Command Overview

#	Command	Command Code	Allowed in Modes					Mode Change	Security Level	Definition
			LOGGING	SERIAL	READY	ACTIVE	STANDBY			
The First Command Code is Defined as 0XE0										
01	QueryRep	0b00	-	√	√	√	-	No	/	EPC Gen2 anticollision round command
02	ACK	0b01	-	√	√	√	-	Yes	/	EPC Gen2 anticollision round command
03	Query	0b1000	-	√	√	√	-	No	/	EPC Gen2 anticollision round command
04	QueryAdjust	0b1001	-	√	√	√	-	No	/	EPC Gen2 anticollision round command
05	Select	0b1010	-	√	√	√	-	No	/	EPC Gen2 anticollision round command
06	NAK	0xC0	-	√	√	√	-	No	/	EPC Gen2 anticollision round command
07	Req_RN	0xC1	-	√	√	√	-	No	/	Request for a new 16-bit random number
08	Read	0xC2	-	√	√	√	-	No	A or M	Reads the selected block in the specified memory bank
09	Write	0xC3	-	√	√	√	-	No	A or M	Writes the selected block in the specified memory bank

#	Command	Command Code	Allowed in Modes					Mode Change	Security Level	Definition
			LOGGING	SERIAL	READY	ACTIVE	STANDBY			
10	Kill	0xC4	-	√	√	√	-	No	/	Kills the transponder – no RFID access is possible after this command (SPI remains active)
11	Lock	0xC5	-	√	√	√	-	No	/	Locks the selected memory banks
12	Access	0xC6	-	√	√	√	-	No	/	Puts the transponder to the secured state
13	BlockWrite	0xC7	-	√	√	√	-	No	A or M	Writes the selected block in the specified memory bank
14	BlockErase	0xC8	-	√	√	√	-	No	A or M	Erases the selected block in the specified memory bank
The Second Command Code is Shown Below										
15	Set Password	0xA0	-	√	√	√	-	No	S, M or A	Sets the passwords to EEPROM
16	Set Log Mode	0xA1	-	√	√	-	-	No	S	Sets logging mode
17	Set Log Limits	0xA2	-	√	√	-	-	No	S	Sets the measurement limits for limits logging mode
18	Get Measurement Setup	0xA3	-	√	√	√	-	No	S	Reads 4 system blocks - Start time, Log limits, Log mode, and Delay time + application area size
19	Set SFE Parameters	0xA4	-	√	√	-	-	No	S	Sets parameter for the External sensor front end
20	Set Calibration Data	0xA5	-	√	√	-	-	No	S	Sets the calibration data for the temperature sensor and timer
21	End Log	0xA6	-	√	-	√	-	Yes	S	Stops the log procedure and returns the chip to Standby mode

#	Command	Command Code	Allowed in Modes					Mode Change	Security Level	Definition
			LOGGING	SERIAL	READY	ACTIVE	STANDBY			
22	Start Log	0xA7	-	√	√	-	-	Yes	S	Starts the timer and the selected log procedure
23	Get Log State	0xA8	-	√	√	√	-	No	S	Gets the log state of the chip
24	Get Calibration Data	0xA9	-	√	√	√	-	No	S	Reads the internal and external calibration data
25	Get Battery Level	0xAA	-	√	√	√	-	No	/	Measures the battery voltage
26	Set Shelf Life	0xAB	-	√	√	-	-	No	/	Set the shelf life parameters
27	Initialize	0xAC	-	√	√	-	-	No	S	Initializes the chip and sets the application area size and the logging delay
28	Get Sensor Value	0xAD	-	√	√	√	-	No	/	Measures the specified sensor – temperature, ext. sensor1 or ext. sensor 2
29	Open Area	0xAE	-	√	√	√	-	No	/	Opens access to the specified EEPROM area
30	Access FIFO	0xAF	-	√	√	√	-	No	/	Reads or writes the 8-byte FIFO register (for fast SPI to RFID data transfer)

Supported EPC Gen2 Commands

QueryREP - #01

The QUERY_REP command instructs tags to decrement their slot counter and is specified for one out of 4 sessions. If the slot counter becomes 0 after decrementing, the tag will backscatter its RN16.

ACK - #02

When a tag receives the ACK command in the Reply state, it will transition to the Acknowledged state and backscatter the EPC. The EPC can be truncated if this has been requested by the reader in the SELECT command. The ACK command can also be processed in the Open or Secured states, but in this case no state transition will occur.

Query - #03

The QUERY command initiates and specifies an inventory round. It sets the TX and RX data rates. It also defines the number of slots used for the inventory round. When the tag receives the QUERY command, it will calculate a random RN16 if it has a matching Sel and Target. The tag will backscatter the RN16 value in case the slot counter is loaded with 0.

QueryAdjust - #04

The QUERY_ADJUST command increments or decrements the Q number (number of slots) for the current inventory round.

Select - #05

The SELECT command selects a tag population that will participate in the inventory round, based on user-defined criteria. The tag can receive any number of successive SELECT commands.

NAK - #06

When a tag receives the NAK command, it will transition to the Arbitrate state, unless it is in the Kill or Ready states. The tag will not send any reply to the NAK command.

Req_RN - #07

The REQ_RN command will instruct the tag to backscatter a new RN16. When a tag in the Acknowledged state receives a correct REQ_RN command, it will transition to the Open or Secured state. When the tag is in the Open or Secured state, it will backscatter a new RN16 and no state transition will occur.

Read - #08

The Read command instructs the tag to read and backscatter a part or all of the Reserved, EPC, TID or User memory.

Write - #09

The WRITE command allows the interrogator to write a word (16 bits) in the tags Reserved, EPC, TID or User memory. Prior to sending the Write command, the interrogator has to send the REQ_RN command in order to receive a new RN16 that will be used for cover-coding the data by EXOR-ing it with the RN16. In case the data writing has been successful, the tag will backscatter the response within 20ms after receiving the command.

Kill - #10

The KILL command is used to permanently disable a tag. When the tag receives the correct multi-step Kill procedure, it will transition to the Killed state and will not send any response thereafter.

Lock - #11

The LOCK command instructs the tag to lock the specified block of the EEPROM memory. The Kill and Access passwords can be Read/Write locked, while the EPC, TID and User block can only be Write locked. The command will only be executed in the Secured state.

Access - #12

The ACCESS command with a correct password and correct multi-step procedure instructs the tag to transition from the Open to the Secured state. When the tag has successfully received the multi-step access procedure, it will backscatter its handle.

BlockWrite - #13

The BLOCK_WRITE command writes a **single word of data (16 bits)** to the specified memory address. It provides faster data writing than the WRITE command as it does not need a new RN16 for every word of data that has to be written. In case the data writing has been successful, the tag will backscatter the response within 20ms after receiving the command.

BlockErase - #14

The BLOCK_ERASE command erases a single word in the specified memory bank. In case the erase has been successful, the tag will backscatter the response within 20ms after receiving the command.

cool-Log Custom Commands

Set Password - #15

The SET PASSWORD command sets the password for the specified memory area. This is the System area, Application area and Measurement area. The System area is in the System memory bank. The Application and Measurement areas are in the User memory bank. In case the command has executed successfully, the tag will backscatter the response within 20ms after receiving the command.

Set Log Mode - #16

The SET LOG MODE command sets various parameters for the logging procedure. In case the command has executed successfully, the tag will backscatter the response within 20ms after receiving the command.

Set Log Limits - #17

The SET LOG LIMITS command write the 4 limits that are going to be used for logging measurement data. The limits are: Extreme upper limit, Upper limit, Lower limit and Extreme lower limit. In case the command has executed successfully, the tag will backscatter the response within 20ms after receiving the command.

Get Measurement Setup - #18

The GET MEASUREMENT SETUP command reads 4 system blocks - Start time, Log limits, Log mode and Delay time.

Set SFE Parameters - #19

The SET SFE PARAMETERS command sets the parameters for the External sensor front end.

Set Calibration Data - #20

The SET CALIBRATION DATA command sets the calibration values for the internal temperature sensor.

WARNING:

The factory preset calibration data can be overwritten. It is advised to read the calibration data, change only the required bits and write back with the SET CALIBRATION DATA command.

End Log - #21

The END LOG command stops the logging procedure and returns the chip to passive mode. It also stops the timer. End Log also resets the Active Status flag, the EEPROM ActiveLog bit and the Low Battery Status flag to zero.

Start Log - #22

The START LOG command starts the logging procedure and sets the Start time in UTC format. In logging state the chips automatically performs the measurements and data logging in the specified time intervals. Supported is also a delayed start, which means that the chip will start with the logging procedure with a specified delay after it receives the START LOG command. This command also starts the Interrupt mode of operation where the measurements and data-logging are driven from external events.

Get Log State - #23

The GET LOG STATE command gets the log state of following parameters: measurement status and out of limits counter. This gives the ability to quickly check the state of the package without the need to read the whole temperature data log.

Get Calibration Data - #24

The GET CALIBRATION DATA command reads the calibration data for the internal and external sensors.

Get Battery Level - #25

The GET BATTERY LEVEL command measures and reads the voltage level of the battery.

Set Shelf Life - #26

The SET SHELF LIFE command writes the shelf life algorithm parameters and enables the dynamic shelf life calculation.

Initialize - #27

The INITIALIZE command sets the size of the application data area and sets the delay time. The command clears the measurement status and limits counter blocks.

Get Sensor Value - #28

The GET SENSOR VALUE command measures and backscatters the value of the specified sensor – internal, external 1 or external 2.

Open Area - #29

The OPEN AREA command opens the specified area of the memory (System, Application, and Measurement). The password is stored in a RAM location and compared with the password in EEPROM. When the tag leaves the RF field, this RAM location is cleared.

Access FIFO - #30

The ACCESS FIFO command can read or write the 8-byte FIFO. The FIFO can also be accessed from the SPI so this command can be used for fast data transfer between a microcontroller connected to the SPI and an RFID reader.

Custom Command Description

Upon receiving a valid command, the tag always transmits a reply. If the command can not be executed, the tag replies with the following error message:

Reply Structure (Error):

SOF	Header	Error code	Handle	CRC	EOF
Pilot tone + preamble	1 bit [1]	8 bits	16 bits	16 bits	Dummy bit [1]

The Error Codes are Defined as:

Error Code	Error Name	Error Description	Condition
00000000	Other error	For error s that are not covered by the other specified error codes	
00000011	Memory overrun	The specified memory location does not exist or the EPC length field is not supported by the tag	The EBV address is outside the physical address of the EEPROM or outside the specified memory bank.
00000100	Memory locked	The specified memory location is locked and/or permalocked and can not be read or written.	The lock bit for the specified memory bank or password is set.
00001011	Insufficient power	The tag has insufficient power to perform the memory write operation.	This error code can only be set in fully passive mode when the supply voltage is to low.
10100000	Incorrect password	The password is incorrect – tag is not open.	The custom password protection is active.
10100010	Battery measurement error	The battery measurement can not be started.	The tag is fully passive and there is no battery attached.
10100011	Command not allowed	Command is not allowed in active state.	Custom commands that can modify logging and calibration parameters are not allowed when the tag is in active state (RTC running).
10100110	EEPROM busy error	The memory can not be accessed as the measurement unit or SPI is accessing the EEPROM.	This error is reported when the EEPROM is used by the SPI or measurement unit.

Set Password

The SET PASSWORD command writes a 32 - bit password to the EEPROM. The password protection for the specified area is automatically enabled if the password is any other value except 0.

Command Structure:

SOF	Custom	Command Code	Password Level	Password	Handle	CRC
Frame-sync	0xE0	0xA0	8 bits	32 bits	16 bits	16 bits

Successful Reply Structure:

SOF	Header	Handle	CRC	EOF
Pilot tone + preamble	1 bit [0]	16 bits	16 bits	Dummy bit [1]

The "Password Level" Bits are:

Password Level Bits	b1	b0	Password Level
Bits b7 - b2 are X	0	0	Not allowed
	0	1	System
	1	0	Application
	1	1	Measurement

When the System area is open for writing, the Set password can change the passwords for all 3 password levels. When the System area is write-protected, the Set password command can not change the System password, but it can change the Application password, if the Application area is open, and the Measurement password when the Measurement area is open.

Set Log Mode

The SET LOG MODE command sets the logging form, storage rule, enables sensors that are used in the logging process and sets the logging interval (in 1 second steps). A battery check is carried out after a Set Log Command and before each logging measurement. If the battery voltage is low, the `low battery flag` is set and no measured data will be written to EEPROM. The battery check is separate and independent from the battery measurement enable. Battery measurement enable determines if the battery voltage is measured and logged in EEPROM.

Command Structure:

SOF	Custom	Command Code	Log Mode	Handle	CRC
Frame - sync	0xE0	0xA1	24 bits	16 bits	16 bits

In case the operation is successful, the following reply will be sent:

Successful Reply Structure:

SOF	Header	Handle	CRC	EOF
Pilot tone + preamble	1 bit [0]	16 bits	16 bits	Dummy bit [1]

The "Log Mode" Field is Composed as:

Bit Number	23 ... 21	20	19	18	17	16	15 ... 1	0
Function	Logging form [2:0]	Storage rule	Ext.1 sensor enable	Ext.2 sensor enable	Temp. sensor enable	Battery measurement enable	Log interval [14:0]	RFU

Log Interval[14:0] is in seconds, with 0 => 1s interval, 1=> 2s interval.

Set Log Limits

The SET LOG LIMITS command writes the 4 limits that are used in the logging process. All 4 limits are 10 bits long.

Command Structure:

SOF	Custom	Command Code	Log Limits	Handle	CRC
Frame - sync	0xE0	0xA2	40 bits	16 bits	16 bits

Successful Reply Structure:

SOF	Header	Handle	CRC	EOF
Pilot tone + preamble	1 bit [0]	16 bits	16 bits	Dummy bit [1]

The “Log Limits” Field is Composed as:

Bit Number	39 ... 30	29 ... 20	19 ... 10	9 ... 0
Function	Extreme lower limit	Lower limit	Upper limit	Extreme upper limit

Get Measurement Setup

The GET MEASUREMENT SETUP command will read the current system setup of the chip.

Command Structure:

SOF	Custom	Command Code	Handle	CRC
Frame - sync	0xE0	0xA3	16 bits	16 bits

Successful Reply Structure:

SOF	Header	Start Time	Log Limits	Log Mode	Log Interval	Delay Time	Application Data	Handle	CRC	EOF
Pilot tone + preamble	1 bit [0]	32 bits	40 bits	8 bits	16 bits	16 bits	16 bits	16 bits	16 bits	Dummy bit [1]

The “Log Limits” Field is Composed as:

Bit Number	39 ... 30	29 ... 20	19 ... 10	9 ... 0
Function	Extreme lower limit	Lower limit	Upper limit	Extreme upper limit

The “Log Mode” Field is Composed as:

Bit Number	7 ... 5	4	3	2
Function	Logging form [2:0]	Storage rule	Ext.1 sensor enable	Ext.2 sensor enable

The “Log Interval” Field is Composed as:

Bit Number	15 ... 1	0
Function	Log interval [14:0]	RFU

The “Delay Time” Field is Composed as:

Bit Number	15 ... 4	3 ... 2	1	0
Function	Delay time [11:0]	RFU [1:0]	Delay mode [0 – timer, 1 – external switch]	IRQ+timer enable

The “Application Data” Field is Composed as:

Bit Number	15 ... 7	6 ... 3	2 ... 0
Function	Number of words for application data [8:0]	RFU [3:0]	Broken word pointer [2:0]

Set SFE Parameters

The SET SFE PARAMETERS command writes the Sensor Front End parameters to the memory. Those parameters include the range preset values for the external sensor inputs, external sensor types and the also the sensor that will be used for limits comparison.

Command Structure:

SOF	Custom	Command Code	SFE Parameters	Handle	CRC
Frame - sync	0xE0	0xA4	16 bits	16 bits	16 bits

Successful Reply Structure:

SOF	Header	Handle	CRC	EOF
Pilot tone + preamble	1 bit [0]	16 bits	16 bits	Dummy bit [1]

The "SFE Parameters" Field is Composed as:

Bit Number	15 ... 11	10 ... 6	5 ... 4	3	2	1 ... 0
Function	Rang [4:0]	Seti [4:0]	EXT1 [1:0]	EXT2	Autorange disable	Verify sensor ID [1:0]

Set Calibration Data

The SET CALIBRATION DATA write to the calibration block in the EEPROM memory. The calibration data is preset during manufacturing, but can also be changed in the application if needed. The SET CALIBRATION DATA will write only to the EEPROM, but it will not update the calibration values in the calibration registers. The calibration registers are automatically updated with each START LOG command.

Command Structure:

SOF	Custom	Command Code	Calibration Data	Handle	CRC
Frame - sync	0xE0	0xA5	56 bits	16 bits	16 bits

Successful Reply Structure:

SOF	Header	Handle	CRC	EOF
Pilot tone + preamble	1 bit [0]	16 bits	16 bits	Dummy bit [1]

Note(s):

1. The "Calibration data" field is composed of 7 bytes (See "Calibration Bits").

End Log

The END LOG command stops the logging procedure and turns off the real time clock. End Log also resets the Active Status flag, the Low Battery Status flag and the EEPROM ActiveLog bit to zero.

Command Structure:

SOF	Custom	Command Code	Handle	CRC
Frame - sync	0xE0	0xA6	16 bits	16 bits

Successful Reply Structure:

SOF	Header	Handle	CRC	EOF
Pilot tone + preamble	1 bit [0]	16 bits	16 bits	Dummy bit [1]

Start Log

The START LOG command starts the logging process. It refreshes the data in the calibration registers, enables the RTC, writes the Start time and sets the Active bit in the “System status” field in the EEPROM.

Command Structure:

SOF	Custom	Command Code	Start Time	Handle	CRC
Frame - sync	0xE0	0xA7	32 bits	16 bits	16 bits

Successful Reply Structure:

SOF	Header	Handle	CRC	EOF
Pilot tone + preamble	1 bit [0]	16 bits	16 bits	Dummy bit [1]

The “Start Time” Field is Composed as:

Bit Number	31 ... 26	25 ... 22	21 ... 17	16 ... 12	11 ... 6	5 ... 0
Function	Year [5:0]	Month [3:0]	Day [4:0]	Hour [4:0]	Minute [5:0]	Second [5:0]

The year for the 'Start Time' field assumes year 2000+ Year[5:0] so 2017 would be 010001.

Get Log State

The GET LOG STATE command reads the status of the logging process. The command can be used to quickly determine the current state of the product, together with the Shelf life and the Limit counter.

Command Structure:

SOF	Custom	Command Code	Handle	CRC
Frame - sync	0xE0	0xA8	16 bits	16 bits

Successful Reply Structure:

SOF	Header	Limit Counter	System Status	SL-block 0&1	Current Shelf Life	Status Flags	Handle	CRC	EOF
Pilot tone + preamble	1 bit [0]	32 bits	32 bits	64 bits (see Note)	24 bits (see Note)	8 bits	16 bits	16 bits	Dummy bit [1]

OPTIONAL - only when Shelf Life flag is set in the EEPROM.

The “Limit Counter” Field is Composed as:

Bit Number	31 ... 24	23 ... 16	15 ... 8	7 ... 0
Function	Extreme lower [7:0]	Lower [7:0]	Upper [7:0]	Extreme upper [7:0]

The “System Status” Field is Composed as:

Bit Number	31 ... 22	21 ... 16	15 ... 1	0
Function	Measurement address pointer [9:0]	Number of memory replacements [5:0]	Number of measurements [14:0]	ActiveLog

ActiveLog Bit. This bit reports the status of the EEPROM bit ActiveLog. It is set to 1 by a StartLog command and set to zero by an End Log command. Because it is EEPROM, a POR will not change its value.

The “Status Flags” Field is Composed as:

Bit Number	7	6	5	4	3	2	1	0
Function	Active (logging process)	Measurement area full	Measurement overwritten	AD error	Low battery	Shelf life low error	Shelf life high error	Shelf life expired

Active Status Flag bit. This bit is a register bit and is set to 1 with a Start Log command. It is set to zero either by an End Log command or by a POR when the battery goes low. If a battery status check sets the low battery flag because the battery is too low, the logging stops but the Active status flag is not reset to zero, because the RTC is still running.

Get Calibration Data

The GET CALIBRATION DATA command reads the calibration data field and the SFE parameters field.

Command Structure:

SOF	Custom	Command Code	Handle	CRC
Frame - sync	0xE0	0xA9	16 bits	16 bits

Successful Reply Structure:

SOF	Header	Calibration Data & SFE Parameters	Handle	CRC	EOF
Pilot tone + preamble	1 bit [0]	72 bits	16 bits	16 bits	Dummy bit [1]

The content of the Calibration data field and the SFE parameters field is displayed in the [Memory Map Overview](#) section.

Note(s):

1. The "Calibration data" field is composed of 7 bytes (see [Calibration Bits](#)).
2. SFE Parameters are composed of 2 bytes (see [Set SFE Parameters](#)).

Get Battery Level

The GET BATTERY LEVEL command starts the AD conversion on the battery voltage and returns the voltage level with the battery type (1.5V or 3V).

Command Structure:

SOF	Custom	Command Code	Battery Retrigger	Handle	CRC
Frame - sync	0xE0	0xAA	8 bits	16 bits	16 bits

Successful Reply Structure:

SOF	Header	A/D Error	Battery Type	Zeros	Battery Level	Handle	CRC	EOF
Pilot tone + preamble	1 bit [0]	1 bit - error [1]	1 bit - [0 = 1.5V, 1 = 3V]	4 bits [0000]	10 bits	16 bits	16 bits	Dummy bit [1]

The application can also request the battery type re-check if the battery retrigger field has the value "00000001", otherwise the battery retrigger field needs to have the value "00000000". After connecting a new battery it is strongly recommended to execute an Inventory round and send a Get Battery Level command with retrigger option enabled. This is to ensure the correct battery type 3V or 1.5V is selected based on the battery voltage after it has settled. The retrigger option should not be used when the battery has been partly or fully consumed otherwise the battery type (3V or 1.5V) may be set to the wrong type.

Set Shelf Life

The SET SHELF LIFE command programs parameters for the dynamic shelf life algorithm.

Command Structure:

SOF	Custom	Command Code	SL Block 0	SL Block 1	Handle	CRC
Frame - sync	0xE0	0xAB	32 bits	32 bits	16 bits	16 bits

Successful Reply Structure:

SOF	Header	Handle	CRC	EOF
Pilot tone + preamble	1 bit [0]	16 bits	16 bits	Dummy bit [1]

The "SL Block 0" Field is Composed as:

Bit Number	31 ... 24	23 ... 16	15 ... 8	7 ... 0
Function	Tmax [7:0]	Tmin [7:0]	Tstd [7:0]	Ea [7:0]

The "SL Block 1" Field is Composed as:

Bit Number	31 ... 16	15 ... 6	5 ... 4	3	2	1 ... 0
Function	SLinit [15:0]	Tinit [9:0]	Shelf life sensor ID [1:0]	Enable negative shelf life	Shelf life algorithm enable	RFU [1:0]

Initialize

The INITIALIZE command clears the System status field, the Limit counters and sets the Delay time field and the Application data field. The Initialize command is needed before the START LOG command as it will clear the pointers and counters. If the application needs to run the logging process from the previous point on, the Initialize command can be left out.

Command Structure:

SOF	Custom	Command Code	Delay Time	Application Time	Handle	CRC
Frame-sync	0xE0	0xAC	16 bits	16 bits	16 bits	16 bits

Successful Reply Structure:

SOF	Header	Handle	CRC	EOF
Pilot tone + preamble	1 bit [0]	16 bits	16 bits	Dummy bit [1]

The “Delay Time” Field is Composed as:

Bit Number	15 ... 4	3 ... 2	1	0
Function	Delay time [11:0]	RFU [1:0]	Delay mode [0 – timer, 1 – external switch]	IRQ+timer enable

The “Application Data” Field is Composed as:

Bit Number	15 ... 7	6 ... 3	2 ... 0
Function	Number of words for application data [8:0]	RFU [3:0]	Broken word pointer [2:0]

Get Sensor Value

The GET SENSOR VALUE command starts the AD conversion on the specified sensor and returns the value.

Command Structure:

SOF	Custom	Command Code	Sensor Type	Handle	CRC
Frame - sync	0xE0	0xAD	8 bits	16 bits	16 bits

Successful Reply Structure:

SOF	Header	A/D Error	Range/Limit	Sensor Value	Handle	CRC	EOF
Pilot tone + preamble	1 bit [0]	1 bit - error [1]	5 bits ^{(1), (2)}	10 bits	16 bits	16 bits	Dummy bit [1]

Note(s):

1. RANGE - for external sensors.
2. LIMIT CURRENT - for self heating compensation.

The "Sensor Type" Field is Composed as:

Bit Number	7 ... 2	1 ... 0
Function	RFU [5:0] – all 0's	Sensor type: <ul style="list-style-type: none"> • 00 – Temperature sensor • 01 – External sensor 1 • 10 – External sensor 2 • 11 – Battery voltage

Open Area

The OPEN AREA command opens the specified area (System, Application, and Measurement) that is protected by a password.

Command Structure:

SOF	Custom	Command Code	Password Level	Password	Handle	CRC
Frame - sync	0xE0	0xAE	8 bits	32 bits	16 bits	16 bits

Successful Reply Structure:

SOF	Header	Handle	CRC	EOF
Pilot tone + preamble	1 bit [0]	16 bits	16 bits	Dummy bit [1]

The “Password Level” Field is Composed as:

Password Level Bits	b1	b0	Password Level
Bits b7 - b2 are X	0	0	Not allowed
	0	1	System
	1	0	Application
	1	1	Measurement

Access FIFO

The ACCESS FIFO command can read and write data from the FIFO and can also read the FIFO status register.

Command Structure:

SOF	Custom	Command Code	Subcommand	Payload	Handle	CRC
Frame - sync	0xE0	0xAF	8 bits	0 ~ 8 bytes	16 bits	16 bits

Successful Reply Structure:

SOF	Header	Payload	Handle	CRC	EOF
Pilot tone + preamble	1 bit [0]	0 ~ 8 bytes (data from FIFO or FIFO status register)	16 bits	16 bits	Dummy bit [1]

Possible Subcommand Codes are Defined as:

Subcommand Bits			Function	Comment
7	6	5		
1	0	0	Read data from FIFO	The bits 3-0 specify the number of bytes that will be read from FIFO
1	0	1	Write data to FIFO	The bits 3-0 specify the number of bytes that will be written to FIFO
1	1	0	Read status register	

The FIFO Status Register is Defined as:

Bit #	Function
7	FIFO busy
6	Data ready
5	No data
4	0 – data from SPI, 1 – data from RFID
3	Number of valid bytes in FIFO register (0000 – FIFO empty, 0001 – 1 byte, 1000 – 8 bytes)
2	
1	
0	

Access FIFO command example:

- Frame sync + E0 AF A5 11 22 33 44 55 + Handle + CRC
- This example command will write 5 bytes to the FIFO.

Logging Formats

The logging format is selected with the SET LOG MODE command in the “Logging Mode[2:0]” field.

Figure 26:
Supported Logging Formats

Logging Mode [2:0]			Logging Form	Description
Bit 2	Bit 1	Bit 0		
0	0	0	Dense	All values are stored to the measurement area. No additional time information is stored to the measurement area.
0	0	1	All values out of limits	All values that are out of the specified limits are stored to the measurement area. Limits comparison is done on the selected sensor (“Verify sensor ID [1:0]”). The measurement number is stored, additional to the sensor value.
0	1	0	RFU	Reserved for future use – this setting is not allowed
0	1	1	Limits crossing	Only the crossing point of each limit boundary is stored. Limits comparison is done on the selected sensor (“Verify sensor ID [1:0]”). The measurement number is stored, additional to the sensor value.
1	0	0	RFU	Reserved for future use – this setting is not allowed
1	0	1	IRQ, EXT1	Interrupt triggered on the EXT1 external sensor input
1	1	0	IRQ, EXT2	Interrupt triggered on the EXT2 external sensor input
1	1	1	IRQ, EXT1, EXT2	Interrupt triggered on the EXT1 and EXT2 external sensor input

Dense Logging Form

The dense logging form provides maximum usage of the non-volatile memory space. 8 sensor values are stored into 5 words of memory when only the internal temperature sensor is used:

Figure 27:
Dense Form - Only Internal Temperature Sensor

Block #	Bits															
	15	14	13	12	11	10	9	8	7	6	5	4	3	2	1	0
0x00	Temp. 1								Temp. 2							
0x01	Temp. 2				Temp. 3								Temp. 4			
0x02	Temp. 4								Temp. 5							
0x03	Temp. 5		Temp. 6								Temp. 7					
0x04	Temp. 7				Temp. 8											

In case battery measurement or external sensors are used for logging, the chip will use the following storage format:

Figure 28:
Dense Form with Temperature and Battery Measurement

	Bits															
Block #	15	14	13	12	11	10	9	8	7	6	5	4	3	2	1	0
0x00	Battery measurement - 6 bits						Temperature measurement - 10 bits									

Figure 29:
Dense Form with Temperature, Battery Measurement and 1 External Sensor

	Bits															
Block #	15	14	13	12	11	10	9	8	7	6	5	4	3	2	1	0
0x00	X	Range 5 bits					External sensor 1 - 10 bits									
0x01	Battery measurement - 6 bits						Temperature measurement - 10 bits									

Figure 30:
Dense Form with Temperature, Battery Measurement and 2 External Sensors

	Bits															
Block #	15	14	13	12	11	10	9	8	7	6	5	4	3	2	1	0
0x00	X	Range 5 bits					External sensor 1 - 10 bits									
0x01	X	Range 5 bits					External sensor 2 - 10 bits									
0x02	Battery measurement - 6 bits						Temperature measurement - 10 bits									

In the dense logging form, no time information is stored in the measurement area of the EEPROM in order to maximize the number of stored sensor values. The real time of a particular measurement can be calculated by using the Start time and Log interval.

Out-of-Limits Logging Form

This logging form uses the limits that are set by the user. The limits can be set with the SET LOG LIMITS command. The storage data format is the same for the "All values out-of-limits" form and the "Limits crossing" form.

Figure 31:
Limits Mode with Internal Sensor Only

	Bits															
Block #	15	14	13	12	11	10	9	8	7	6	5	4	3	2	1	0
0x00	Battery voltage						Temperature									
0x01	Measurement #															

Figure 32:
Limits Mode with External Sensors

	Bits															
Block #	15	14	13	12	11	10	9	8	7	6	5	4	3	2	1	0
0x00	1	Range 5 bits					External sensor 1 - 10 bits									
0x01	1	Range 5 bits					External sensor 2 - 10 bits									
0x02	Battery measurement - 6 bits						Temperature measurement - 10 bits									
0x03	Measurement #															

Interrupt Logging Form

This logging form is used when the interrupts from external sensors are enabled. In this case, the real time clock is stored together with the sensor values.

Figure 33:
Interrupt Mode

	Bits															
Block #	15	14	13	12	11	10	9	8	7	6	5	4	3	2	1	0
0x00	1	Range 5 bits					External sensor 1 - 10 bits									
0x01	1	Range 5 bits					External sensor 2 - 10 bits									
0x02	Battery measurement - 6 bits						Temperature measurement - 10 bits									
0x03	Real time clock - Higher 16 bits															
0x04	Real time clock - Lower 16 bits															

Note(s):

1. The interrupt source can either be the external sensor 1, external sensor 2 or both external sensors. The limits are ignored in the interrupt mode.

Storage Capacity

The storage capacity is the number of measurement points that can be stored to the EEPROM. It is dependent on the selected logging form.

Figure 34:
Storage Capacity

Selected Sensors	Dense	Limits (both modes)	Event Triggered
Only temperature	841	263	175
Temperature + battery	526	263	175
1 External	526	263	175
Temperature + External	263	175	131
Temperature + External + Battery	263	175	131
2 External	263	175	131
Temperature + 2 external	175	131	105
All 4 sensors	175	131	105

Storage Rule

The Storage rule defines how the device handles a completely full Measurement area. The device has 2 storage rules – normal or rolling.

Normal Storage Rule

In this storage rule, the logging of new data is stopped when the memory is completely full. When this happens, the bit 6 in the Status Flags (Measurement area full) is set to 1 and no new data is stored to the EEPROM. However, the timer is still active and the Number of measurements counter will still be incremented.

Rolling Storage Rule

In this mode, the device will overwrite the old data with new data once the measurement area is completely full. When this happens, the bit 6 (Measurement area full) and bit 5 (Measurement overwritten) in the Status Flags are set to 1 and the Number of memory replacements counter is incremented. The new measurement is stored to the beginning of the Measurement area.

When the dense logging mode with temperature sensor is used with the rolling storage mode and the memory is overwritten, the new data is stored from the beginning of the Measurement area starting with a fresh 5-block 8-measurements super-block. It does not matter if the last super-block at the end of the memory was not completed due to the end of the memory.

When more sensors are enabled or the limits mode is used, it can happen that the last measurement at the end of the memory can not be written, because there is not enough space. An example for this is if all 4 sensors are enabled in dense logging mode. In this case, 1 measurement is 3 blocks long. If it happens that there are only 2 blocks free in the memory, the measurement will be written to the beginning of the Measurement area, so the last 2 blocks are not used.

When the Number of memory replacement counter reaches its maximum value of 63 this counter stops, the logging is also stopped and no new data is written to the EEPROM. However, the timer will still be active and the Number of measurements counter will still be incremented.

SPI Slave Interface

Full and unlimited EEPROM access is possible through the SPI interface. The primary function of the SPI interface is production calibration and UID programming, but it can also be used in application, for the data transmission between the interrogator and a microcontroller attached to the SPI interface. The chip has a basic arbitration implemented that controls the EEPROM access from the RFID interface, the automatic data logger and the SPI interface. The RFID interface has the highest priority, second is the automatic data logger, and last is the SPI interface.

The first 2 bits in the frame are the MODE bits, which define the SPI operation (00 – Write memory, 01 – Read memory, 10 – Test, 11 – Direct command). The EEPROM address is an 11-bit address that point to the physical locations in the EEPROM. The write command can be executed on a single byte, or any number of successive bytes on a single page (up to 16 bytes). The minimum number of bytes in the Page write operation is 2. The Read operation is a continuous operation, so any number of bytes can be read with a single frame. The address is the starting address and is automatically incremented in the chip.

The Test MODE is reserved for production testing and cannot be used in application.

The maximum SCLK frequency is 10MHz at 3V battery supply (dual cell). With a 1.5V battery supply the maximum frequency is 2MHz.

Note that the logic output DOUT does not support Tri-state which prevents other SPI devices being connected to the same SPI bus.

Figure 35:
SPI Communication Modes

	MODE		EEPROM Address / Command Code				Data Byte
	A15	A14	A13	A12	A11	A10...A0	D7...D0
Write Mode	0	0	0	0	0	Physical EEPROM address	D17 ... D10
Page Write Mode	0	0	0	0	1	Physical EEPROM address	D17 ... D10
Read Mode	0	1	0	0	0	Physical EEPROM address	DO7...DO0
Test Mode	RESERVED for PRODUCTION						
Command Mode	1	1	C5...C0				

...16 data bytes

...Continuous read (n*8 bits)

Figure 36:
SPI Timings

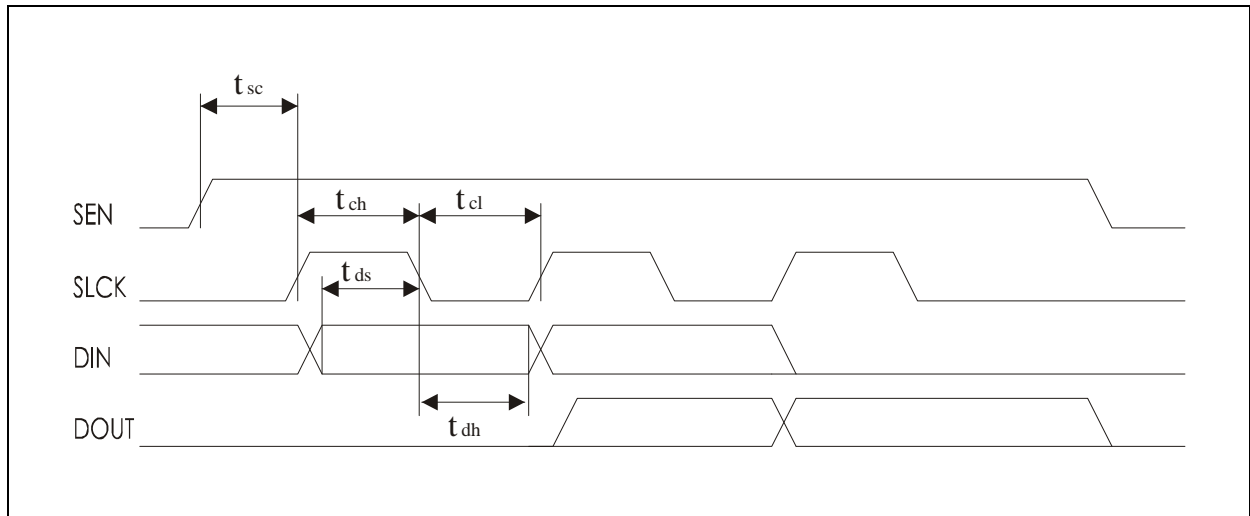


Figure 37:
SPI Timing for 3V Supply Voltage

Symbol	Min	Max	Description
t_{sc}	150 μ s	-	SEN to first SCLK rising edge setup time
t_{ch}	100ns	-	SCLK high period
t_{cl}	100ns	-	SCLK low period
t_{ds}	50ns	-	Data setup time
t_{dh}	50ns	-	Data hold time

Figure 38:
SPI Timing for 1.5V Supply Voltage

Symbol	Min	Max	Description
t_{sc}	150 μ s	-	SEN to first SCLK rising edge setup time
t_{ch}	500ns	-	SCLK high period
t_{cl}	500ns	-	SCLK low period
t_{ds}	50ns	-	Data setup time
t_{dh}	50ns	-	Data hold time

Figure 39:
SPI Write Mode

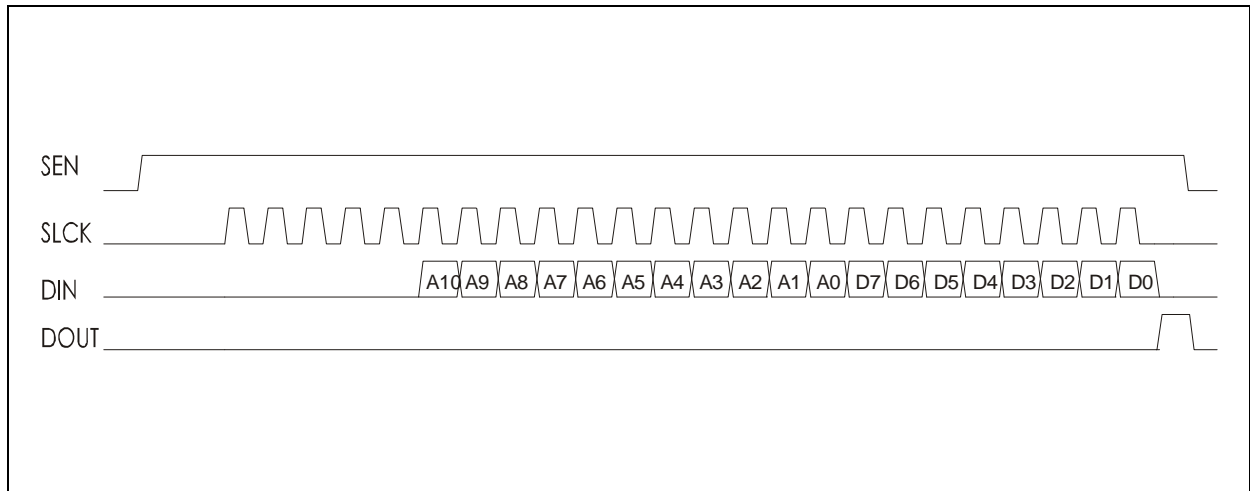


Figure 40:
SPI Read Mode

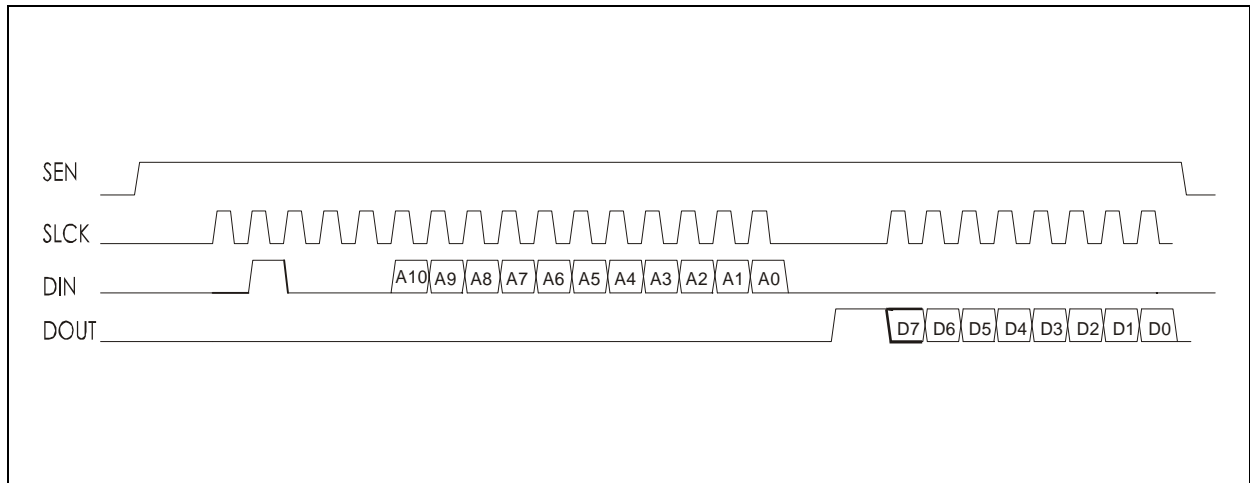


Figure 41:
SPI Command Mode - Start Log and Stop Log, Reset Command

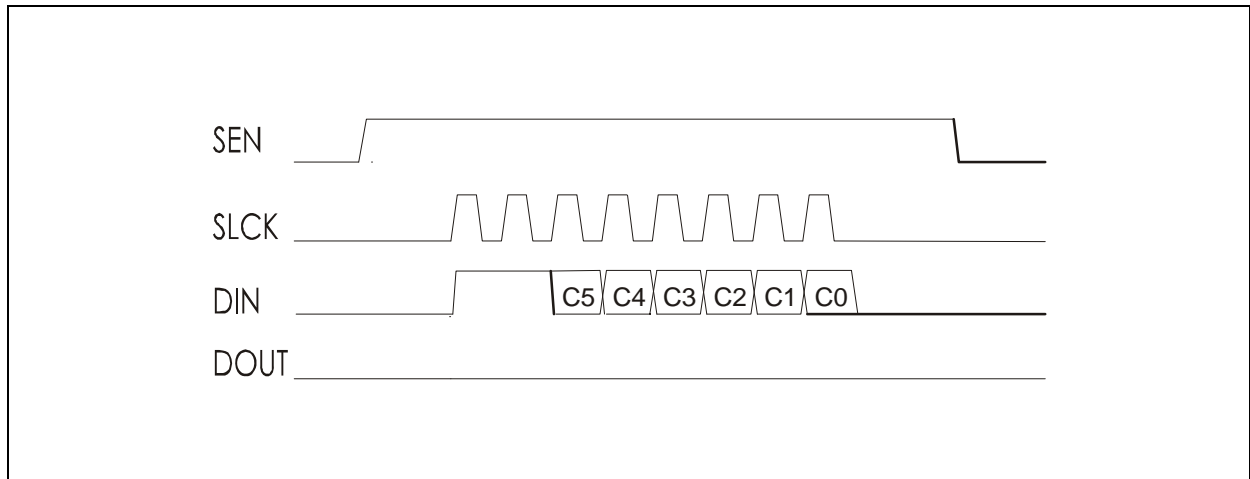


Figure 42:
SPI Command Mode – Get Temperature, Get Ext. Sensor, Get Battery, Read Fifo, Read Remaining Shelf Life

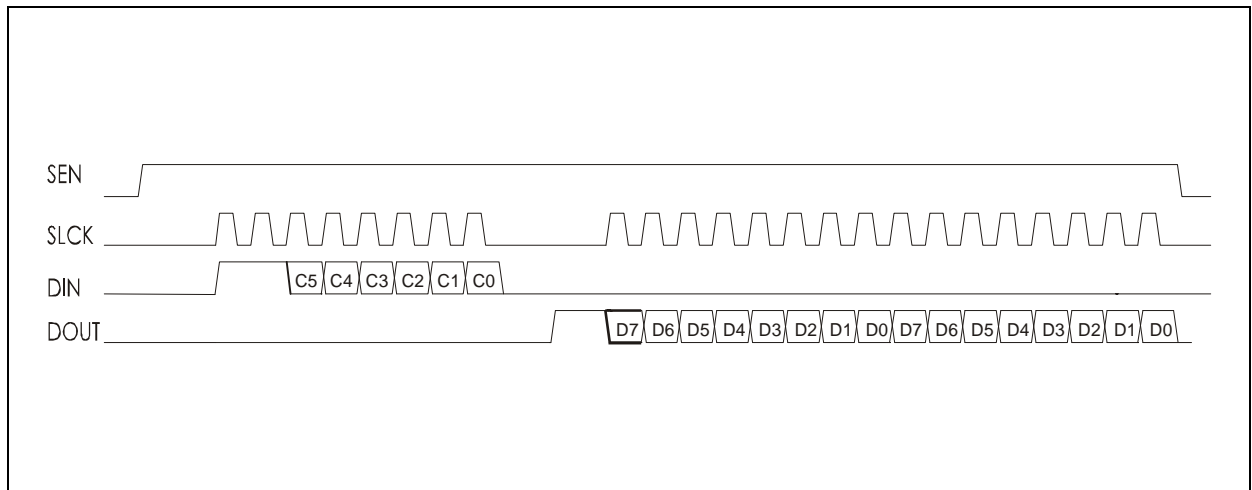


Figure 43:
SPI Write FIFO Command

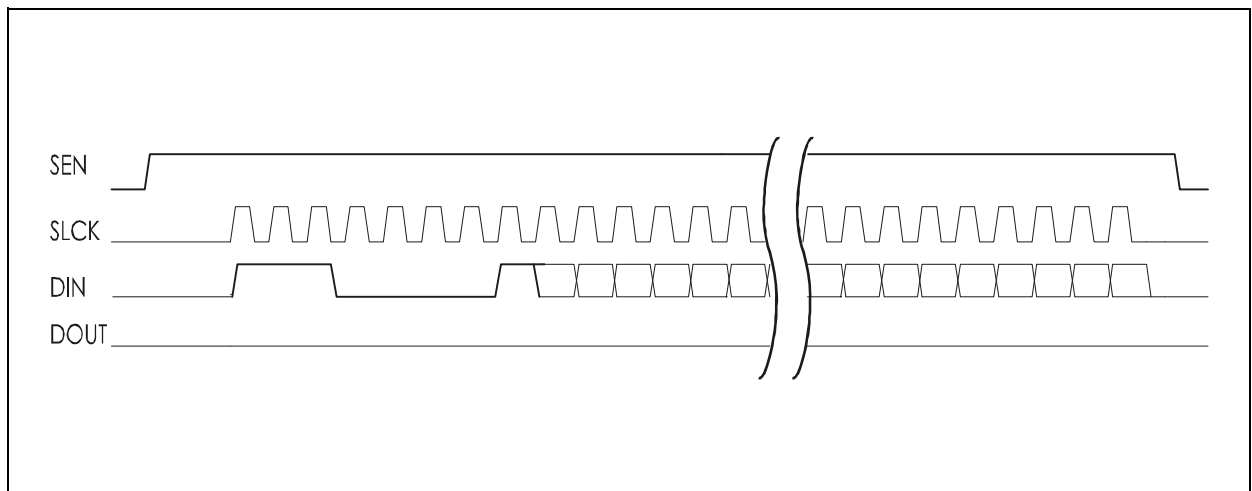
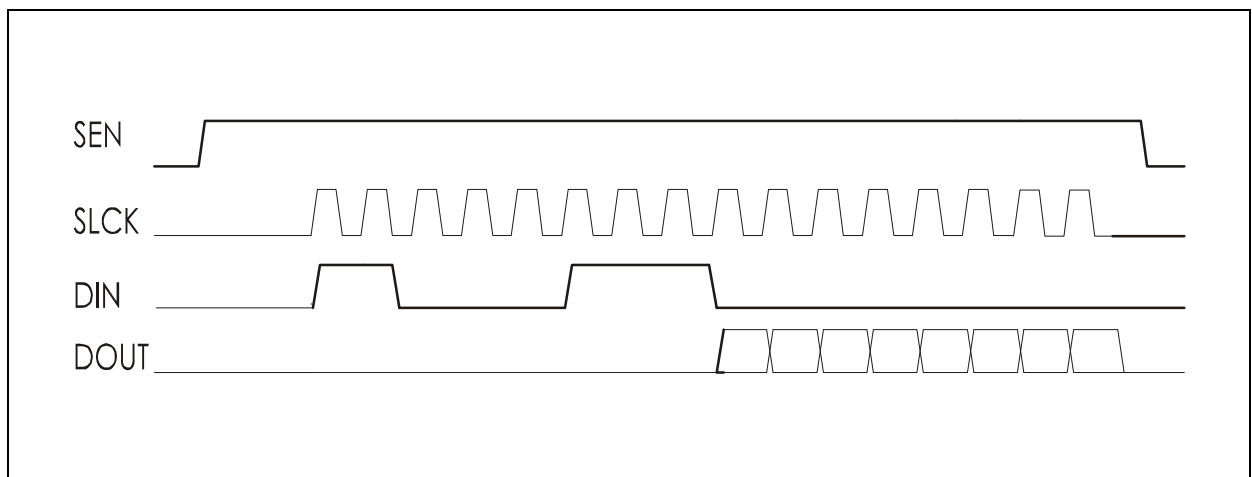


Figure 44:
SPI Read FIFO Status Command



SPI Direct Commands

Figure 45:
SPI Direct Commands

Command Code	Command	Comment
0x00	Reset command - same effect as POR	All calibration registers are refreshed from the EEPROM
0x01	Get temperature	After SDATAO signal goes high send additional 16 clock pulses for conversion data read-out. First 6 bits are all zeros. Last 10 bits are the 10-bit ADC measurement of temperature.
0x02	Get battery	After SDATAO signal goes high send additional 16 clock pulses for conversion data read-out
0x03	Get Ext. sensor 1	After SDATAO signal goes high send additional 16 clock pulses for conversion data read-out
0x04	Get Ext. sensor 2	After SDATAO signal goes high send additional 16 clock pulses for conversion data read-out
0x05	Start Logging	Starts the timer or IRQ mode - generates the sta_log pulse signal - the start time has to be written before with the SPI Write mode
0x06	Stop Logging	Stops the timer or IRQ mode - generates the end_log pulse signal
0x07	Read FIFO status	Read the FIFO status byte (8-bit)
0x08	Read Remaining shelf life	Reads the remaining shelf life (24-bit)
0x20	Read FIFO	Reads up to 8 bytes from the FIFO
0x21	Write FIFO	Writes up to 8 bytes to the FIFO

FIFO

The SL900A device has an integrated 8-byte FIFO register that can be used for fast data transmission between the RFID reader and the microcontroller that is connected to the SPI port.

The FIFO status can be determined by reading the FIFO status register:

Figure 46:
FIFO Status Register

Bit #	Function
7	FIFO busy
6	Data ready
5	No data
4	0 – data from SPI, 1 – data from RFID
3	Number of valid bytes in FIFO register (0000 – FIFO empty, 0001 – 1 byte, 1000 – 8 bytes)
2	
1	
0	

The FIFO can be read and written from the SPI and the RFID interface. From the RFID interface, the ACCESS FIFO command is used to access the FIFO register and the FIFO status. From the SPI interface, 3 commands are used – 0x07, 0x20 and 0x21. The 0x07 commands reads the FIFO status byte. Up to 8 bytes can be read from the FIFO with the 0x20 command and up to 8 bytes written with the 0x21 command.

Arbitration Between SPI and UHF Reader

As soon as SEN=1 the access to EEPROM (and also FIFO) is reserved to SPI, and the device will respond with an error code if an EEPROM access or FIFO access command is received on RFID interface.

When a UHF Reader is accessing the FIFO and the SPI wants to access at the same time, then the DOUT pin will rise to HIGH as soon as SEN=1, signaling that the device is busy processing the RFID command. Any command on SPI will be ignored in that case.

Alternate Pad Functions

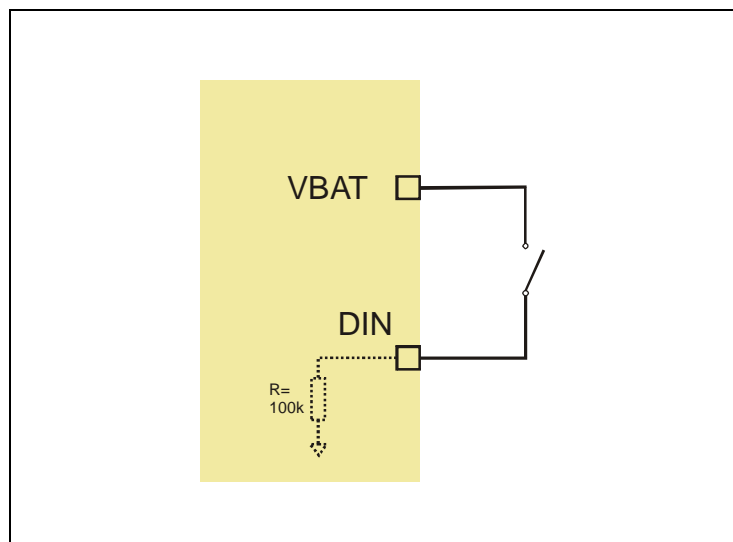
Some functions are multiplexed on same pads, so some functions of the device can not be used in parallel.

Manual Log Start with Button

The SL900A device supports 2 delayed start possibilities for the logging. Delayed start means that the logging is not started immediately when the device receives the Start Log command, but some time after the reception of this command. The application can set a fixed delay for the logging, or the logging can be started manually (without a RFID reader).

Figure 47 shows the external push button connection for the manual delayed start function. The DIN pin has an integrated pull-down resistor, so the only required external component is the button. When the DIN pin is connected to V_{BAT}, the logging will be started.

Figure 47:
Push Button Connection



In order to enable this function, the application needs to set the “Delay mode” bit to 1. This is done with the [Initialize](#) command.

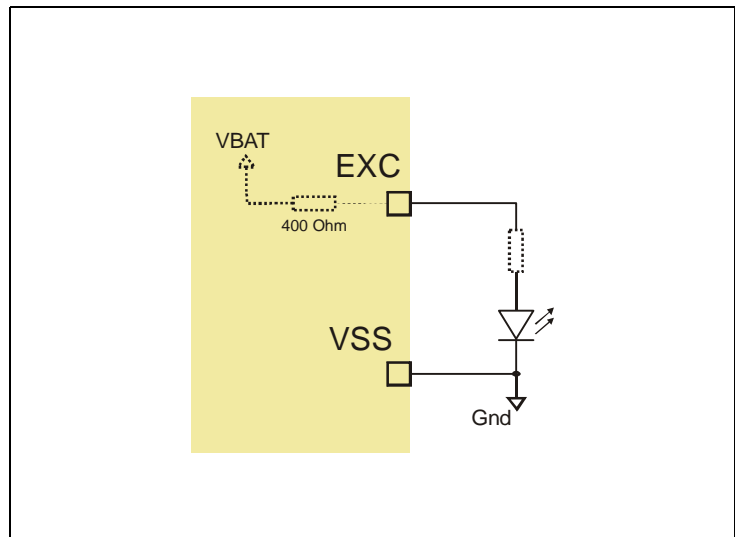
External Shelf Life Alarm Function

The SL900A device can generate an alarm when the Shelf Life algorithm is used and the shelf life expires. The EXC pin is used for this function.

This signal can be used as an interrupt on a microcontroller, or can be directly used to drive a LED diode. The EXC driver resistance is 400Ω.

Figure 48 shows how to connect an LED diode to the EXC pin. This is possible only when the transponder uses a 3V battery supply as most of the LED diodes have a threshold above 1.5V. Depending on the type of the LED diode, also an external current-limiting resistor needs to be used.

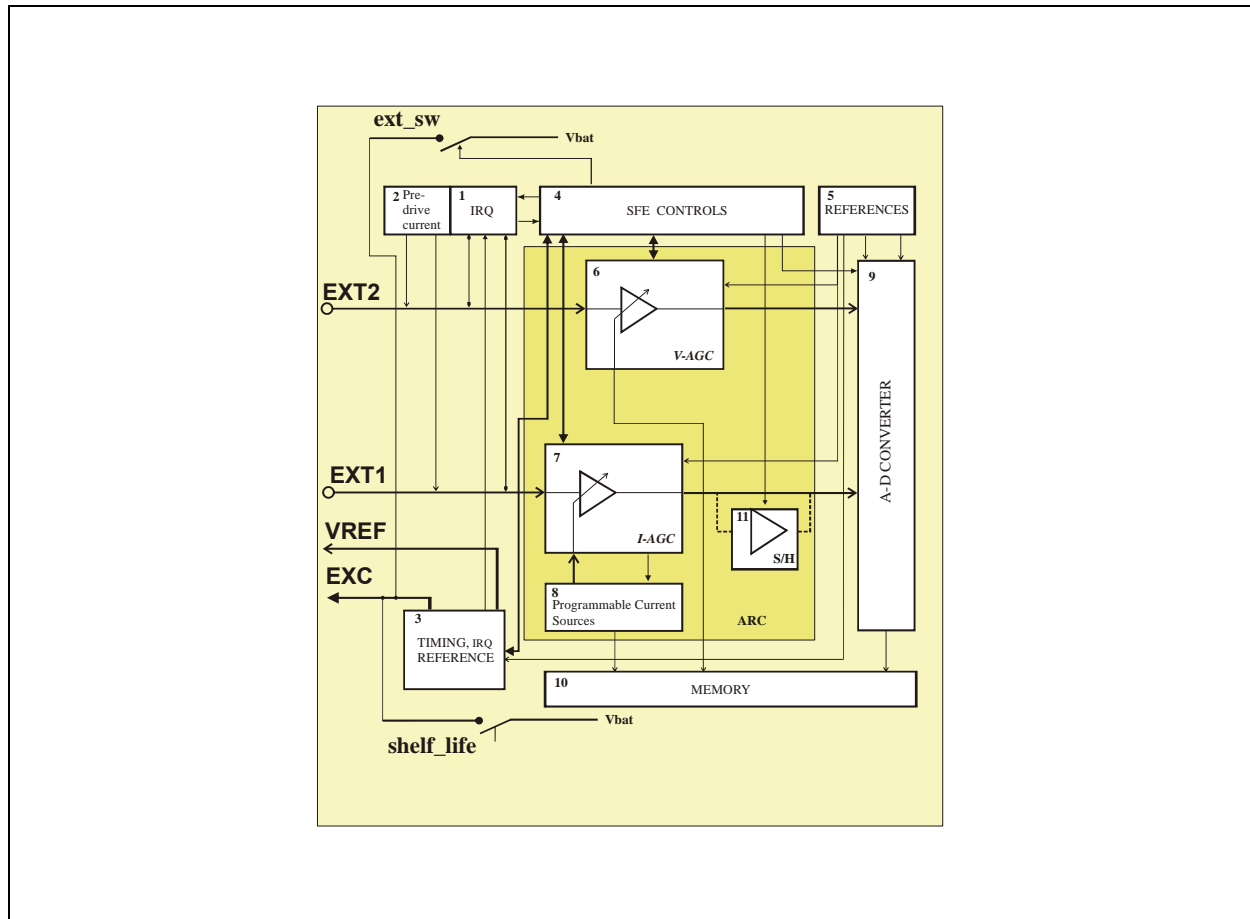
Figure 48:
LED Connection for Shelf Life Alarm



The external alarm function is activated automatically when the Shelf Life algorithm is used. The “sw_ext_en” bit in Calibration data has to be 0. If the “sw_ext_en” bit is set to 1, the EXC pin is used for external sensor supply.

External Sensor Front-End (SFE) The SL900A device can process the internal temperature sensor, the battery voltage and up to 2 external sensors. The result of the A/D conversion can be logged to the EEPROM or sent directly back to the interrogator (if the GET SENSOR VALUE command is used). The external sensors and the integrated temperature sensor can only be processed in serial manner. This is done through a multiplex amplifier, as the SL900A device has only one A/D converter integrated.

Figure 49:
External Sensor Front End



SFE Interface

The external sensor interface consists of 4 pads:

- EXT1 – connection for external sensor 1 that can be a linear-resistive sensor, a DC voltage source (sensor with external analog processing), capacitive and resistive sensors with AC driving,
- EXT2 – connection for external sensor 2 that can be a linear-conductive sensor, a reverse-polarized diode, DC voltage source with serial resistance or a DC current source to V_{SS} ,
- EXC – supply voltage for the external sensors or a AC signal source for external sensors that do not allow a DC voltage.
- V_{REF} – reference voltage (V_{o2}) pin used for capacitive and resistive sensors with AC excitation.

The SFE can be used for measurements with resistive sensors with linear resistance or conductance. It can be used for capacitive sensors and optical sensors (diode). It can also be used for connecting integrated sensors with voltage output (high impedance input).

The SFE allows a connection of a resistor bridge sensor arrangement, where the bridge is supplied by the EXC pad (battery voltage) and the 2 sensing points are attached to the EXT1 and EXT2 inputs. The 4th point of the resistive bridge has to be attached to the V_{SS} point. The AD conversion for the 2 sensing points is done with 2 successive measurements. First the EXT1 point and next the EXT2 point. The final calculation has to be done in the application software.

Also a capacitive or resistive sensor that does not allow a DC voltage can be attached to the SFE. In this case, the sensing point is the EXT1 input, the AC stimulus signal is provided by the EXC pin and the V_{REF} pad outputs an adjustable DC reference voltage.

Figure 50:
Sensor Front-End Setting Bits

SFE Group Bits	Function	Description
rang[4:0]	External sensor 2 range	Resistor feedback ladder – see application note for SFE
seti[4:0]	External sensor 1 range	Current source value – see application note for SFE
EXT1[1:0]	External sensor 1 type	00 – linear resistive sensor
		01 – high impedance input (voltage follower), bridge
		10 – reserved
		11 – capacitive or resistive sensor without DC (AC signal on EXC pin)

SFE Group Bits	Function	Description
EXT2	External sensor 2 type	0 – linear conductive sensor, opto sensor, current source sensor
		1 - high impedance input (voltage follower), bridge
Range preset	Use preset range	Autorange function is turned off
Verify sensor ID[1:0]	Sensor used in limit check (sensor enable bits in log mode group)	00 – first selected sensor
		01 – second selected sensor
		10 – third selected sensor
		11 – fourth selected sensor

The external sensor interface has an auxiliary output pin (EXC) that can be used for supplying the external sensor either with a constant voltage or with an AC voltage signal (for capacitive sensor).

Figure 51:
EXC Output Pin Operation

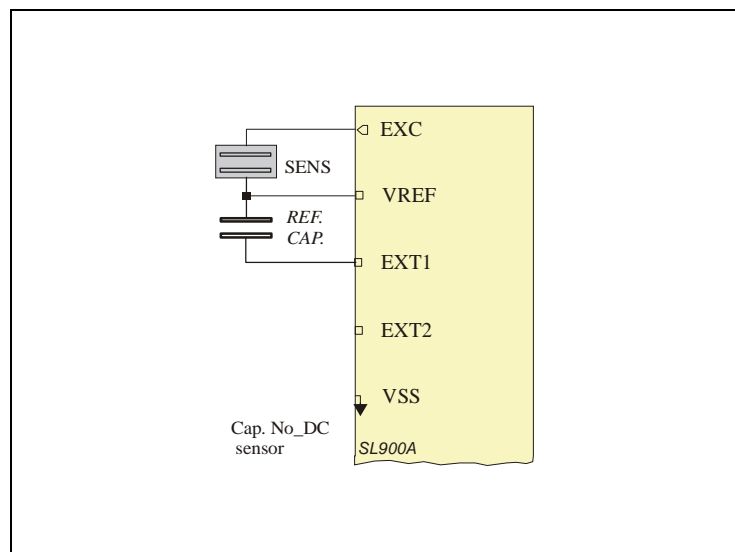
EXC Pin Controls				
EXT1 [1:0]	sw_ext_en	Standby Mode	EXC Signal Output	Comment
00	0	0	HI-Z	The output drivers are disconnected
00	0	1	HI-Z	The output drivers are disconnected
11	X	X	AC signal during external sensor conversion	Is to be used only with capacitive sensors
00	1	0	V _{BAT}	The output is connected to the battery voltage for the duration of the conversion
00	1	1	HI-Z	The output drivers are disconnected
00	1	0	V _{BAT}	The output is connected to the battery voltage for the duration of the conversion
00	1	1	HI-Z	The output drivers are disconnected

External Sensor 1 Interface

The external sensor 1 interface (EXT1 pin) can be used for measurements with linear resistive sensors and capacitive sensors with AC excitation. It can also be used to measure 1 point of a resistive bridge (with the second point connected to the EXT2 pad).

The processing of an external capacitive sensor without DC voltage is possible in case an external reference capacitor is used. The external sensor in this case is excited with an AC signal from the EXC pin. The connection for this kind of sensors is shown on [Figure 52](#).

Figure 52:
External Capacitive Sensor with AC Excitation (EXT1[1:0] = 11)



The external capacitive sensor in [Figure 52](#) is excited with a square wave signal around the reference voltage V_{REF} . The amplitude of the AC signal is equal to the V_{REF} voltage. Input AC amplitude:

$$(EQ8) \quad V_{EXT1} = V_{REF} \cdot \frac{C_{SENS}}{(C_{REF} + C_{SENS})} + V_{REF}$$

The selection of the reference capacitor depends on the AD converter input voltage range. The input AC amplitude V_{EXT1} at minimum capacitance C_{SENS} must be at a maximum AD level:

$$(EQ9) \quad V_{AD_max} = 2 \cdot V_{v02} - V_{v01}$$

The input AC amplitude V_{EXT1} at minimum capacitance C_{SENS} must be close to minimum AD level:

$$(EQ10) \quad V_{AD_min} = V_{v02}$$

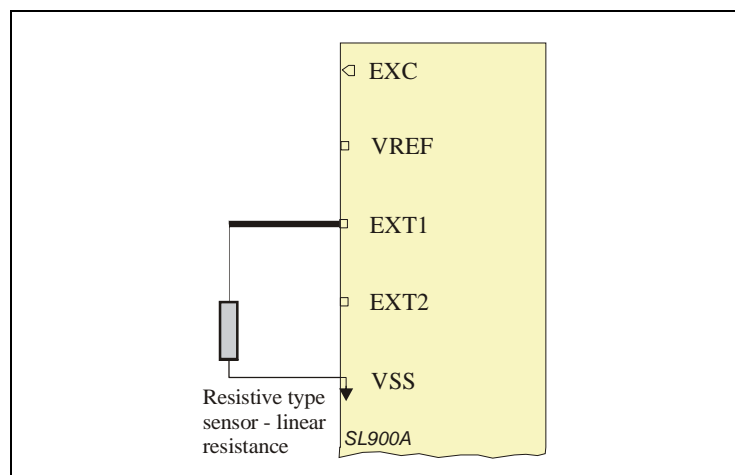
The external sensor interface can also be used for resistive sensor with linear resistance and with resistive sensor that do not allow any DC voltage (AC excitation). The connection diagrams are on [Figure 53](#) and [Figure 54](#).

For a resistive sensor with AC excitation The following relation is valid:

$$(EQ11) \quad V_{VREF} < V_{VREF} + \frac{V_{VREF}}{R_{R_SENS} + R_{REF} \cdot RES} \cdot R_{REF} \cdot RES \leq V_{VREF} + v_{01}$$

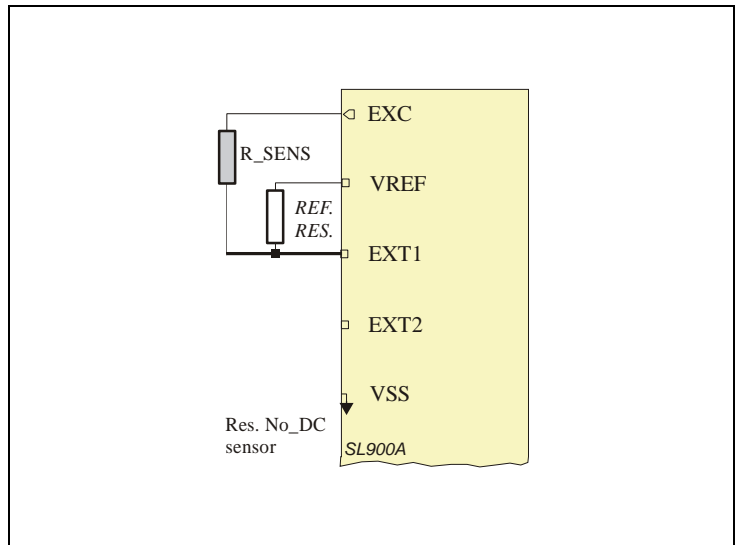
The proper ratio between sensor and reference resistor can be chosen to fulfill the upper relation and the range of sensor's resistivity.

Figure 53:
External Linear Resistive Sensor (EXT1[1:0] = 00)



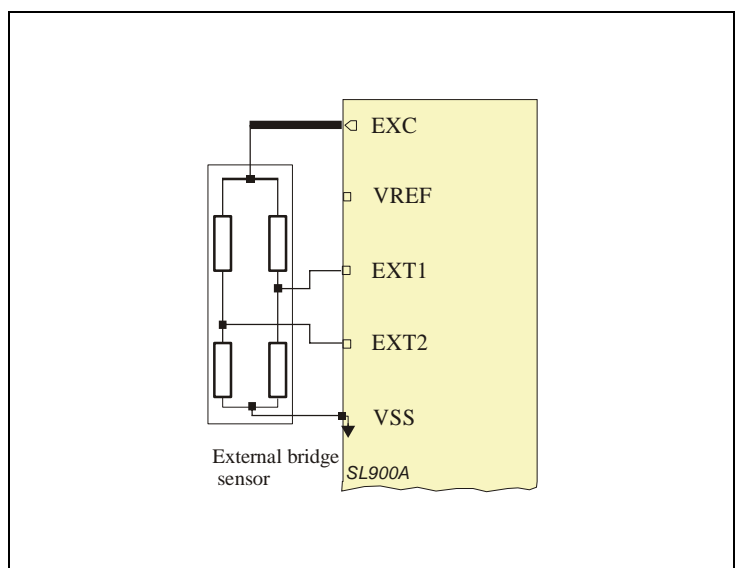
An additional external reference resistor has to be used for processing external resistive sensor with AC exciting.

Figure 54:
External Resistive Sensor with AC Signal (EXT1[1:0] = 11)



A resistive bridge has to be connected to both sensor inputs (Figure 55). The 2 input voltages are converted one after the other. In automatic logging, both external sensors have to be enabled. If the resistor bridge is also used with the GET SENSOR VALUE RFID command, this command has to be sent twice – first for external sensor 1, second for external sensor 2.

Figure 55:
Resistor Bridge Sensor (EXT1[1:0] = 01, EXT2 = 1)

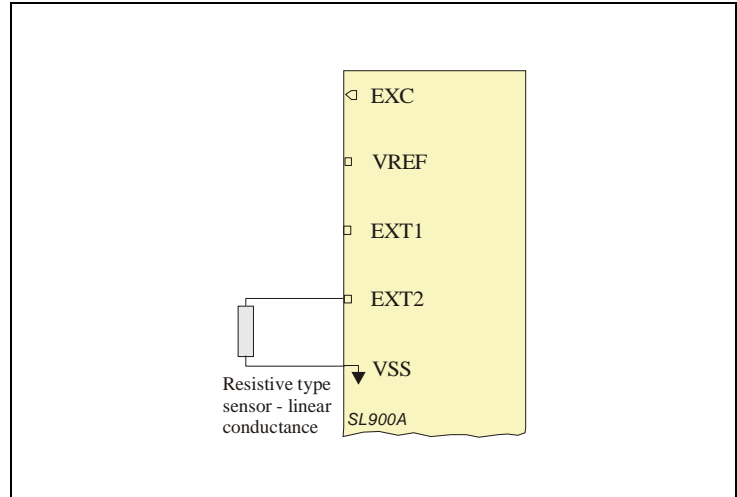


External Sensor 2 Interface

The external sensor 2 interface (EXT2 pin) can be used for measurements with linear conductive sensors, optical sensors (diode) and to measure the second point of a resistive bridge (with the first point connected to the EXT1 pad) (see Figure 55).

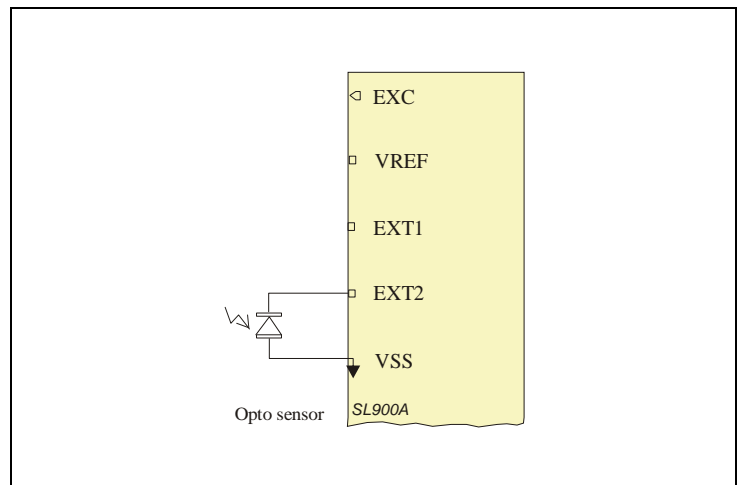
The Figure 56 shows the connection diagram for a resistive sensor with linear conductance (like a pressure sensor).

Figure 56:
External Resistive Sensor - Linear Conductance (EXT2 = 0)



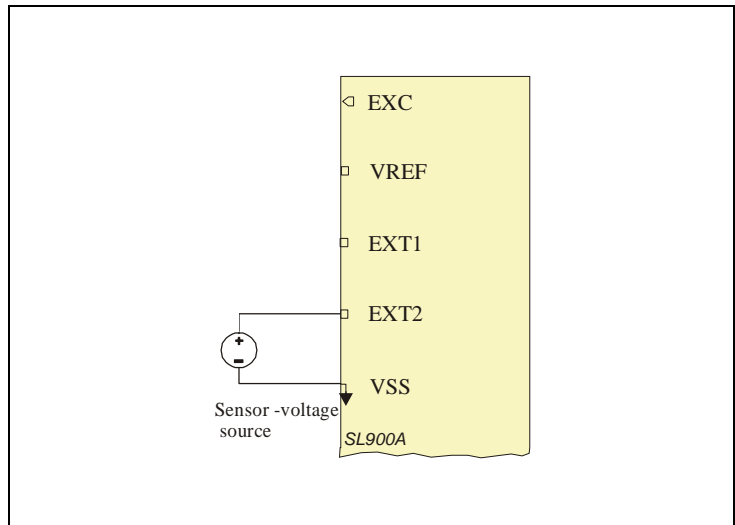
The EXT2 pad can also be used for measurements with an optical sensor based on reverse polarized diode current (Figure 57).

Figure 57:
External Optical Sensor (EXT2 = 0)



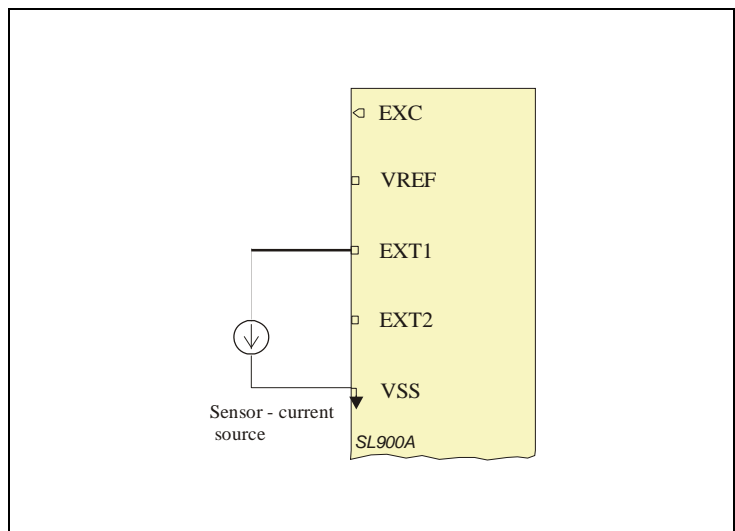
A voltage source output sensor can be connected to the EXT2 pin. This can be used for integrated sensors with an analog output signal.

Figure 58:
External Voltage Source Sensor (EXT2 = 1)



The EXT1 interface can also be used for external current source output sensors (Figure 59).

Figure 59:
External Current Source Sensor (EXT2 = 0)



External Sensor Interface Settings

The external sensor interface is set up either with the SPI interface or with RFID custom commands. The commands required for external sensor operation are: SET LOG MODE, SET SFE PARAMETERS, SET CALIBRATION DATA and INITIALIZE.

The SET LOG MODE command is used to setup various parameters required for the automatic logging process. The command is described in [Set Log Mode](#). If external sensors are used in the logging process, they have to be enabled with this command.

The SET SFE PARAMETERS command ([Set SFE Parameters](#)) is used to set up the SFE functionality. The SFE can be used as an automatic range selection block, for sensors with a wide output range. It can also be used as a fixed gain preamplifier for sensors with a low output range. In this case, the user application has to preset the range and enable the preset values. The preset range has to be selected in case the internal limits are used with an external sensor.

The EXT1 interface gain is preset with the “seti [4:0]” field. The EXT2 gain is preset with the “rang [4:0]” field. The preset values are enabled with the “Aurange Preset” flag.

The external sensor type “EXT1[1:0]” and “EXT2” can be set with the SET SFE PARAMETERS command. This command is also used for selecting the sensor (“Verify Sensor ID”) that will be used with the limits in out of limits logging mode.

The SET CALIBRATION DATA command is used to set up the supply switch for external sensors (“sw_ext_en”) and to setup the interrupt voltage level for external sensors (“irlev[1:0]”). The external sensors can be supplied with the battery voltage from the EXC pin only during the conversion time. This will save power compared to a system where the sensor is supplied directly from the battery. This is especially useful for a resistive bridge sensor.

The INITIALIZE command is used to setup interrupt and timer logging modes in parallel (“IRQ + timer enable” flag). This special logging mode can be used for regular interval-based sensor sampling combined with the interrupt capability of the SFE.

External Sensor Interrupt

The external sensor interface can be used for sampling short events on the EXT1 and EXT2 pins. This can be used for shock sensors, acceleration sensors and other pulse response sensors. It is also useful for counting events on the external sensor pins.

The sensors are pre-driven with a small current of 125nA and are constantly observed with a very low consumption comparator. The overall current consumption of the interrupt block is 0.5µA at room temperature. In case the sensor voltage exceeds the specified threshold (“irlev[1:0]”), the SFE will generate an IRQ request. This will wake up the whole system and the sensor data, together with the real time information, will be logged to the memory.

The interrupt mode is selected with the SET LOG MODE command with the “Logging Mode[2:0]” field ([Logging Formats](#)). The implemented IRQ modes are:

Figure 60:
IRQ Logging Modes

Bit 2	Bit 1	Bit 0	Logging Form	Description
1	0	1	IRQ, EXT1	Interrupt triggered on the EXT1 external sensor input
1	1	0	IRQ, EXT2	Interrupt triggered on the EXT2 external sensor input
1	1	1	IRQ, EXT1, EXT2	Interrupt triggered on the EXT1 and EXT2 external sensor input

Either of the 2 external sensor pads, or both of them, can be used for generating an interrupt. This function can also be used for button-triggered measurements, as the user can select which sensor will be logged during an interrupt event.

The interrupt level can be selected by the application with the SET CALIBRATION DATA command ("irlev[1:0]"). The setting is valid for EXT1 and EXT2.

Figure 61:
Sensor Front-End Setting Bits

Irlev [1:0]		EXT1 - Resistive [MΩ]	EXT2 - Resistive [MΩ]	IRQ Level -% of Supply Voltage
Bit 1	Bit 0			
0	0	< 3	< 3	< 25%
0	1	< 1	< 1	< 8%
1	0	< 4.2	< 4.2	< 35%
1	1	< 5.2	< 5.2	< 43%

The IRQ threshold varies from chip to chip for a maximum of $\pm 25\%$ from its nominal specified value. The ratio between levels at different IRQ-level-CODE remains constant. The IRQ voltage levels are supply ratiometric.

Calibration Bits

The SL900A chip is factory calibrated. The calibration settings can be modified by the application. Some values in the calibration data field should not be modified by the application as this could degrade the temperature performance and the communication stability. Those values are highlighted in the table as **DO NOT MODIFY**.

The Individual Bits in the Calibration Field are:

Calibration	Function	Range		
		Min	Max	Step
ad1[4:0]	AD lower voltage reference - fine – DO NOT MODIFY	-10mV	+10mV	0.625mV
coars1[2:0]	AD lower voltage reference - coarse – can be used	160mV	510mV	50mV
ad2[4:0]	AD higher voltage reference- fine – DO NOT MODIFY	-10mV	+10mV	0.625mV
coars2[2:0]	AD higher voltage reference - coarse	260mV	610mV	50mV
gnd_switch	Switches the lower AD voltage reference to ground (default = 1)	0		
selp12[1:0]	POR voltage level for 1.5V system	LH -1.04V HL -0.98V	LH - 1.17V HL - 1.11V	
adf[4:0]	Main reference voltage calibration – DO NOT MODIFY	622mV	648mV	0.86mV
df[7:0]	RTC oscillator calibration	800Hz	1165Hz	~1Hz (non linear)
sw_ext_en	Controlled battery supply for external sensor – the battery voltage is connected to the EXC pin			
selp22[1:0]	POR voltage level for 3V system	LH - 1.95 V HL - 1.84V	LH - 2.19V HL - 2.07V	

Calibration	Function	Range		
		Min	Max	Step
irlev[1:0]	Voltage interrupt level for external sensor - ratiometric	8% of V_{BAT}	43% of V_{BAT}	8%, 25%, 35%, 43%
ring_cal[4:0]	Main system clock oscillator calibration – DO NOT MODIFY	1585kHz	2590kHz	31kHz
off_int[6:0]	Temperature conversion offset calibration – DO NOT MODIFY	-32LSb	+32LSb	1LSb
reftc[3:0]	Bangap voltage temperature coefficient calibration – DO NOT MODIFY	450mV	472mV	~18ppm/C
exc_res	Excitate for resistive sensors without DC			
RFU[1:0]	RESERVED			

Note(s) and/or Footnote(s):

1. LH – POR level rising supply
2. HL – POR level falling supply

POR

POR is monitored all the time. When the battery voltage decreases and the POR_{HL} level is reached logging is stopped and the low battery status flag is set. The RTC clock will continue even though the logging has stopped and the Active Status flag will not be reset.

Figure 62:
POR Levels

Calibration - POR Battery Levels - Low Battery Level Adjust							
Battery	Description	Function	Calib. Bits Name	POR Levels (typ)			Condition/Comments
				Code	L-H [V]	H-L [V]	
1.5V	Battery POR Level	POR Levels	selp12[1:0]	00	1.13	1.06	Codes 00 are default
				01	1.17	1.11	
				10	1.08	1.02	
				11	1.04	0.98	
3V	Battery POR Level	POR Levels	selp22[1:0]	00	2.10	1.99	
				01	2.19	2.07	
				10	2.02	1.91	
				11	1.95	1.84	

Note(s):

1. LH – POR level rising supply
2. HL – POR level falling supply

Shelf Life Calculation

The SL900A device has an integrated shelf life algorithm that can dynamically calculate the remaining shelf life of the product.

It is a look-up table algorithm, where the look-up table is stored in the first 60 bytes of the User bank. The look-up table can be programmed with the standard EPC Write command, or through the SPI interface.

Figure 63:
Shelf Life Look-Up Table

Physical Address	Bank	Bank Name	Logical Address	Content
0x064	3	USER	0x000	P[0] - lookup table start
0x065				P[1]
~			~	
~			~	
0x09E			0x01D	P[58]
0x09F				P[59] - lookup table end

The Shelf life algorithm can work with either the integrated temperature sensor or with an external sensor. The sensor that will be used with this algorithm can be selected with the SET SHELF LIFE command.

Shelf Life Sensor ID [1:0]

Figure 64:
Shelf Life Sensor ID

B1	B0	Sensor Type
0	0	Temperature sensor
0	1	Ext. sensor 1
1	0	Ext. sensor 2
1	1	Battery voltage

The Shelf life algorithm is enabled with the “Enable Shelf Life” flag in the SET SHELF LIFE command. The algorithm is activated with the START LOG command. With this command, the calibration data is loaded from EEPROM to the calibration registers, the initial shelf life is set and the shelf life parameters are set up.

Figure 65:
Shelf Life Memory Block

Physical Address	Content	Block
0x030	Tmax[7:0]	Shelf Life block 0
0x031	Tmin[7:0]	
0x032	Tstd[7:0]	
0x033	Ea[7:0]	
0x034	SLinit[15:8]	Shelf Life block 1
0x035	Slinit[7:0]	
0x036	Tinit[9:2]	
0x037	Tinit[1:0]	
	ShelfLife Sensor ID [1:0]	
	Enable Negative ShelfLife	
	Shelf life algorithm enable	
	RFU [1:0]	

The values in the Shelf life block 0 are not used in any calculations in the chip. They are intended as reference information purposes for the interrogator.

Figure 66:
Shelf Life Block 0

Block	Data Field	Function
Shelf Life block 0	Tmax[7:0]	Maximal temperature for the product
	Tmin[7:0]	Minimum temperature for the product
	Tstd[7:0]	Normal temperature
	Ea[7:0]	Activation energy

The Shelf life block 1 holds the information on the initial shelf life and the initial temperature. Both of those values are used in the shelf life algorithm.

Figure 67:
Shelf Life Block 1

Block	Data Field	Function
Shelf Life block 1	SLinit[15:0]	Initial shelf life
	Tinit[9:0]	Initial temperature used in the shelf life calculation
	ShelfLife Sensor ID [1:0]	Sensor used for shelf life calculation (temperature, external 1 or external 2)
	Enable Negative Shelf life	Enables negative values for shelf life
	Shelf life algorithm enable	Enables the shelf life algorithm
	RFU [1:0]	Reserved for future use

The remaining shelf life is a 24-bit word. The remaining shelf life, shelf life block 0&1 and the status flags can be read out with the GET LOG STATE command ([Get Log State](#)).

Figure 68:
Status Flags

Bit #	Function
7	Active (logging process)
6	Measurement area full
5	Measurement overwritten
4	AD error
3	Low battery
2	Shelf life low error (SLerrlo)
1	Shelf life high error (SLerrhi)
0	Shelf life expired

When the shelf life reaches 0, the chip can generate a signal on the EXC pin that can be used as an interrupt source

The remaining shelf life can be read from the SPI interface with the 0x08 SPI command.

Low Battery Flag

The Low Battery flag is a register bit i.e. volatile memory. The Battery status is checked during logging immediately after a Start Log command is received even if no ADC conversion takes place and also before each logging event. It is also checked when a GSV command is received.

If the battery level is below the PORHL level the low battery flag is set and any logging in progress is stopped, but the RTC is still running. See [Figure 62](#) for PORHL thresholds. The Low Battery status flag is only set as a result of a battery status check and not if a PORHL occurs at another time.

Shelf Life Algorithm

The following is a C language representation of the shelf life algorithm, implemented in SL900A.

At startup of logging:

```
SLcurr (22 bits, signed) = SLinit << 6; // multiply by 64
SLerrlo = 0;
SLerrhi = 0;
```

At each temperature logging event:

```
Tdiff (10 bits, unsigned) = Tmeas (10 bits, temperature
value) – Tinit;
Tindex (8 bits, unsigned) = Tdiff >> 2; // divide by 4
if (Tdiff > 236) {SLerrhi++; Tindex = 59}
if (Tinit > Tmeas) {SLerrlo ++; Tindex = 0}
Counter (8 bits, unsigned) = 0;
While (Counter <= Tindex)
{
    SLdec (8 bits, unsigned) = P[Counter];
    SLcurr = SLcurr – SLdec;
    Counter++;
}
if (Tindex & (Tindex < 59)) // Interpolation process
{
    SLdec++; // compensate for truncation
    if (Tdiff & 0b00000010) {SLcurr = SLcurr – (SLdec
>> 1)}
    if (Tdiff & 0b00000001) {SLcurr = SLcurr – (SLdec
>> 2)}
}
```

Memory Map Overview

Figure 69:
Memory Map Overview

Loc. #	Physical Address	Bank	Bank Name	Logical Address	Default Value	Content	Group
1	0x000	X	SYSTEM		00000000	System Password [31:24]	System Password - read protect
2	0x001				00000000	System Password [23:16]	
3	0x002				00000000	System Password [15:8]	System Password - write protect
4	0x003				00000000	System Password [7:0]	
5	0x004				00000000	Application Password [31:24]	Application Password - read protect
6	0x005				00000000	Application Password [23:16]	
7	0x006				00000000	Application Password [15:8]	Application Password - write protect
8	0x007				00000000	Application Password [7:0]	
9	0x008				00000000	Measurement Password [31:24]	Measurement Password - read protect
10	0x009				00000000	Measurement Password [23:16]	
11	0x00A				00000000	Measurement Password [15:8]	Measurement Password - write protect
12	0x00B				00000000	Measurement Password [7:0]	
13	0x00C				000000	Year [5:0]	Start Time The year for the 'Start Time' field assumes year 2000+ Year[5:0] so 2017 would be 010001.
					00	Month [3:2]	
					00	Month [1:0]	
					00000	Day [4:0]	
			0	Hour [4]			
			0000	Hour [3:0]			
14	0x00D		0000	Minute [5:2]			
			00	Minute [1:0]			
15	0x00E		000000	Second [5:0]			
			000000	Second [5:0]			

Loc. #	Physical Address	Bank	Bank Name	Logical Address	Default Value	Content	Group
17	0x010	X	SYSTEM		CAL	ad1[4:0] - reference voltage 1 fine cal.	Calibration. Note that calibration data should normally not be modified, hence these EEPROM addresses are shown greyed out here.
					001	coars1[2:0] - reference voltage 1 coarse cal.	
18	0x011				CAL	ad2[4:0] - reference voltage 2 fine cal.	
					001	coars2[2:0] - reference voltage 2 coarse cal.	
19	0x012				1	gnd_switch	
					0	selp12[1:0] - 1.5V battery POR level	
					CAL	adf[4:0] - 635mV reference voltage cal.	
					CAL	df[7:0] - timer oscillator cal.	
21	0x014				0	sw_ext_en - switched battery supply for ext. sensor	
					0	selp22[1:0] - 3V battery POR level	
					0	irlev[1:0]	
					CAL	ring_cal[4:2] - 1.92MHz oscillator cal.	
22	0x015				CAL	ring_cal[1:0]	
					CAL	off_int[6:1] - temperature offset calibration	
23	0x016				CAL	off_int[0]	
					CAL	reftc[3] - band gap temperature coefficient cal.	
					CAL	reftc[2:0] - band gap temperature coefficient cal.	
					0	exc_res - excitate for resistive sensors without DC	
					RFU	RFU[1:0]	

Loc. #	Physical Address	Bank	Bank Name	Logical Address	Default Value	Content	Group
24	0x017	X	SYSTEM		0	rang[4:0] - ext. sensor 2 range (feedback resistor)	SFE parameters
					0	seti[4:2] - ext. sensor 1 range (current source)	
25	0x018				0	seti[1:0] - ext. sensor 1 range	
					0	sext1[1:0] - external sensor 1 type	
					0	sext2 - external sensor 2 type	
					0	Auto range preset	
					0	Verify sensor ID[1:0]	
26	0x019				00000000	Extreme lower limit [9:2]	Limits
27	0x01A				00	Extreme lower limit [1:0]	
					000000	Lower limit [9:4]	
28	0x01B				0000	Lower limit [3:0]	
					0000	Upper limit [9:6]	
29	0x01C				000000	Upper limit [5:0]	
					00	Extreme upper limit [9:8]	
30	0x01D		00000000	Extreme upper limit [7:0]			
31	0x01E		00000000	Ext. lower limits counter [7:0]	Limits counter		
32	0x01F		00000000	Lower limits counter [7:0]			
33	0x020		00000000	Higher limits counter [7:0]			
34	0x021		00000000	Ext. higher limits counter [7:0]			

Loc. #	Physical Address	Bank	Bank Name	Logical Address	Default Value	Content	Group		
35	0x022	X	SYSTEM		00000000	Measurement address pointer [9:2]	System status		
36	0x023				00	Measurement address pointer [1:0]			
37	0x024				0000000	Number of memory replacements [5:0]			
38	0x025				00000000	Number of measurements [14:7]			
					00000000	Number of measurements [6:0]			
					0	ActiveLog			
					000	Logging form [2:0]	Log mode		
39	0x026				0	Storage rule (0 - normal, 1 - rolling)			
					0	Ext.1 sensor enable			
					0	Ext.2 sensor enable			
					0	Temp. sensor enable			
					0	Battery measurement enable			
40	0x027					00000000	Log interval [14:7]	Log interval	
41	0x028					00000000	Log interval [6:0]		
						RFU	RFU		
42	0x029						00000000	Delay time [11:4]	Delay time
							0000	Delay time [3:0]	
					RFU	Single use flag			
43	0x02A				0	RFU			
					0	Delay mode (0 - timer or 1 - switch)			
					0	IRQ+timer enable			

Loc. #	Physical Address	Bank	Bank Name	Logical Address	Default Value	Content	Group
44	0x02B	X	SYSTEM		0	Number of blocks for application data [8:1]	Application data
45	0x02C				0	Number of blocks for application data [0]	
					RFU	RFU [3:0]	
					000	Broken word pointer [2:0]	
46	0x02D				RFU	RFU[7:0]	RFU
47	0x02E				00	Kill lock [1:0]	Lock bits, write ONLY with the 'Lock' command
					00	Access lock [1:0]	
					00	EPC [1:0]	
					00	TID lock [1:0]	
					00	USER lock [1:0]	
48	0x02F				RFU	RFU [5:0]	
49	0x030				00000000	Tmax[7:0]	Shelf Life block 0
50	0x031				00000000	Tmin[7:0]	
51	0x032				00000000	Tstd[7:0]	
52	0x033				00000000	Ea[7:0]	
53	0x034				00000000	SLinit[15:8]	Shelf Life block 1
54	0x035				00000000	Slinit[7:0]	
55	0x036		00000000	Tinit[9:2]			
56	0x037		00	Tinit[1:0]			
			00	ShelfLife Sensor ID [1:0]			
			0	Enable Negative ShelfLife			
			0	Shelf life algorithm enable			
			00	Skip log [1:0]			

Loc. #	Physical Address	Bank	Bank Name	Logical Address	Default Value	Content	Group	
57	0x038	X	SYSTEM		0111	T1_delay [3:0]	Adjust bits for the T1 timer (default value is "0111")	
					0	FIRO_enable	Enable FIRO RNG	
					0	cl_sh_diss	Disables the clock shop	
					0	T2_diss	Disables the T2 timing	
	RFU			RFU	Reserved for future use			
58	0x039					RFU	RFU[6:0]	Reserved for future use
						0	KILL	KILL flag
59	0x03A					RFU	RFU[7:0]	RFU
60	0x03B					RFU	RFU[7:0]	
61	0x03C					RFU	RFU[7:0]	
62	0x03D			RFU	RFU[7:0]			
63	0x03E			RFU	RFU[7:0]			
64	0x03F			RFU	RFU[7:0]			
65	0x040	0	RESERVED	0x00	00000000	Kill Password [31:24]	Kill Password	
66	0x041				00000000	Kill Password [23:16]		
67	0x042			0x01	00000000	Kill Password [15:8]		
68	0x043				00000000	Kill Password [7:0]		
69	0x044				0x02	00000000	Access Password [31:24]	Access Password
70	0x045			00000000		Access Password [23:16]		
71	0x046			0x03	00000000	Access Password [15:8]		
72	0x047				00000000	Access Password [7:0]		

Loc. #	Physical Address	Bank	Bank Name	Logical Address	Default Value	Content	Group
RAM - 1	RAM - 0x00	1	EPC	0x00	CAL	CRC-16 [15:8]	CRC-16 is stored in the RAM portion and is mapped to the EPC memory block
RAM - 2	RAM - 0x01				CAL	CRC-16 [7:0]	
73	0x048			0x01	CAL	PC [15:8]	PC
74	0x049				CAL	PC [7:0]	
75	0x04A	1	EPC	0x02	0xE0	EPC [127:120]	EPC (default is: TID values are mirrored to EPC values)
76	0x04B				0x2F	EPC [119:112]	
77	0x04C			0x03	TID [23:16]	EPC [111:104]	
78	0x04D				TID [31:24]	EPC [103:96]	
79	0x04E			0x04	TID [39:32]	EPC [95:88]	
80	0x04F				TID [47:40]	EPC [87:80]	
81	0x050			0x05	TID [55:48]	EPC [79:72]	
82	0x051				TID [63:56]	EPC [71:64]	
83	0x052			0x06	0x33	EPC [63:56]	
84	0x053				0x00	EPC [55:48]	
85	0x054			0x07	0x00	EPC [47:40]	
86	0x055				0x00	EPC [39:32]	
87	0x056			0x08	0x00	EPC [31:24]	
88	0x057				0x00	EPC [23:16]	
89	0x058			0x09	0x00	EPC [15:8]	
90	0x059				0x00	EPC [7:0]	

Loc. #	Physical Address	Bank	Bank Name	Logical Address	Default Value	Content	Group	
91	0x05A	2	TID	0x00	0xE0	TID [7:0]	TID (same format as UID in ISO 15693), READ ONLY	
92	0x05B				0x2F	TID [15:8]		
93	0x05C			0x01	CAL	TID [23:16]		
94	0x05D				CAL	TID [31:24]		
95	0x05E			0x02	CAL	TID [39:32]		
96	0x05F				CAL	TID [47:40]		
97	0x060			0x03	CAL	TID [55:48]		
98	0x061				CAL	TID [63:56]		
99	0x062			0x04	0x33	Chip version [7:0]		Version, etc... READ ONLY
100	0x063				RFU	RFU [7:0]		
101	0x064	3	USER	0x000	0x00	USER memory bank start - UMI	APPLICATION / MEASUREMENT memory – 1052 bytes	
102	0x065				0x00			
~	~			~	0x00			
~	~			~	0x00			
1151	0x47E			0x20D	0x00			
1152	0x47F				0x00	USER memory bank end		

Note(s):

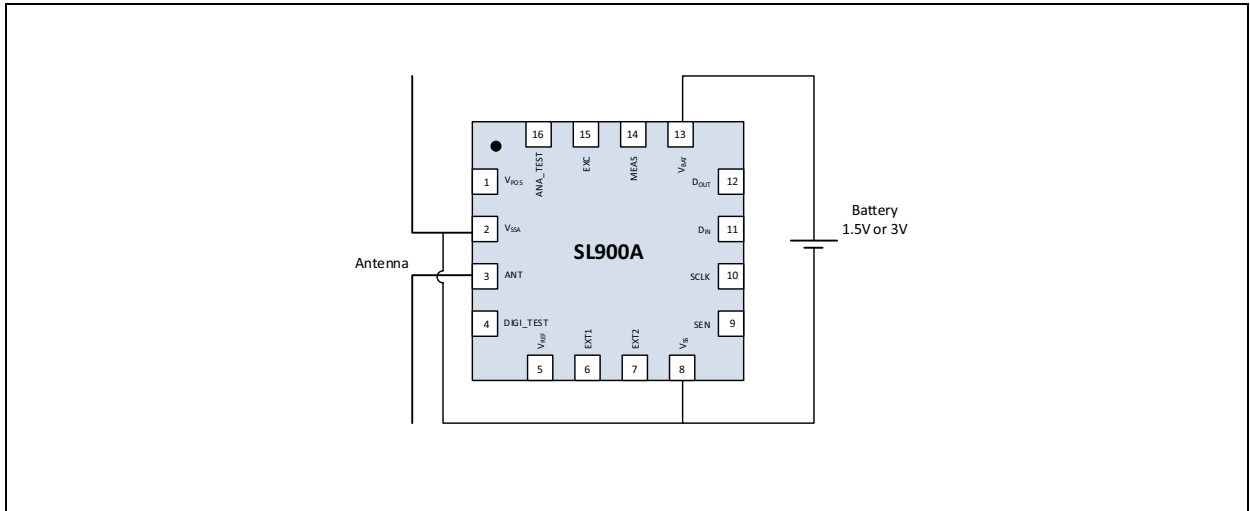
1. CAL: These bits are bits set during calibration and test of the chip.

Applications

Battery-Assisted Transponder – Temperature Data Logger

In the battery-assisted transponder application, only 4 pads are used – the antenna pads and the battery pads. This kind of circuit is suitable for a temperature data logger application.

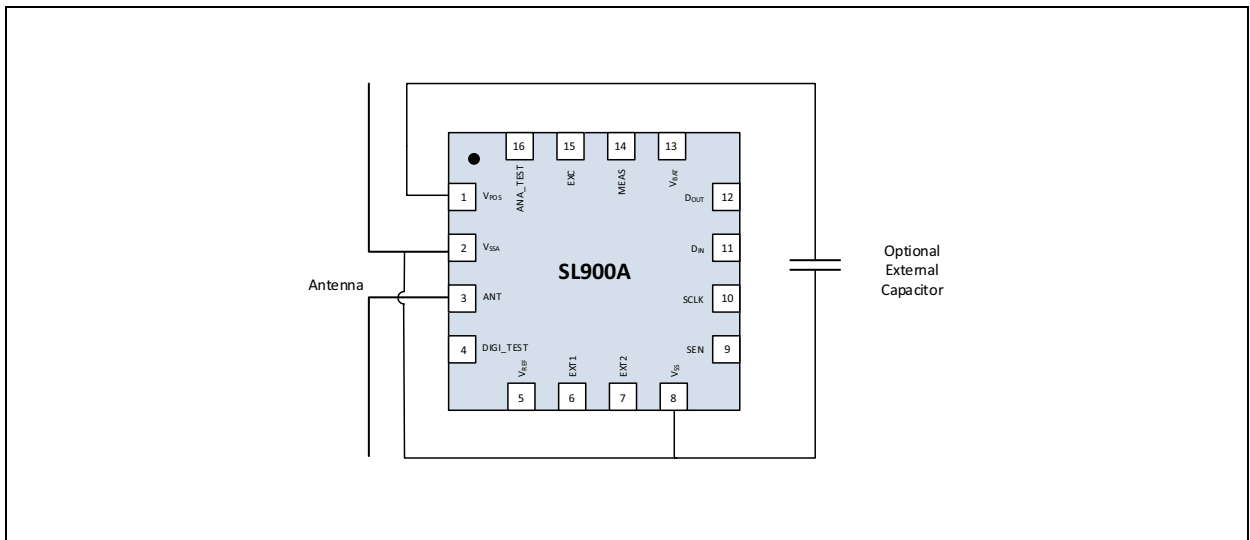
Figure 70:
Battery-Assisted Transponder – Temperature Data Logger



Passive Transponder – Passive Temperature Sensor

In the passive transponder, 2 pads are required for the antenna (ANT, V_{SSA}). For extended read range an external capacitor connected between the V_{POS} and V_{SS} pads is recommended.

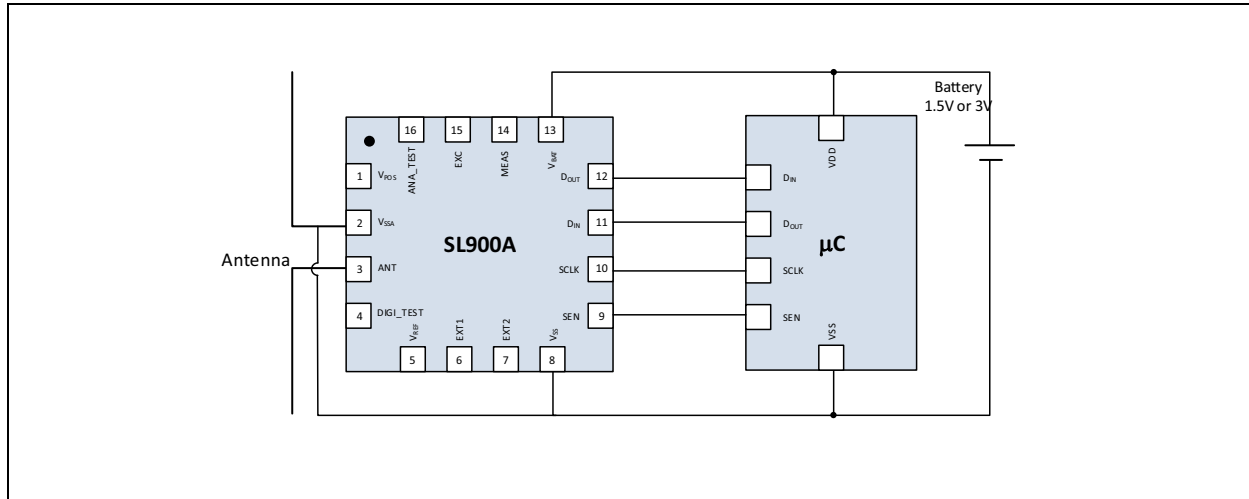
Figure 71:
Passive Transponder – Passive Temperature Sensor



Battery-Assisted Transponder with External Microcontroller

An external microcontroller can be connected to the SL900A device using the SPI interface. The microcontroller can read and write the EEPROM, start and stop logging, perform an AD conversion and data can be transmitted to the RFID reader. The microcontroller can be used to perform additional tasks to extend the functionality of the system.

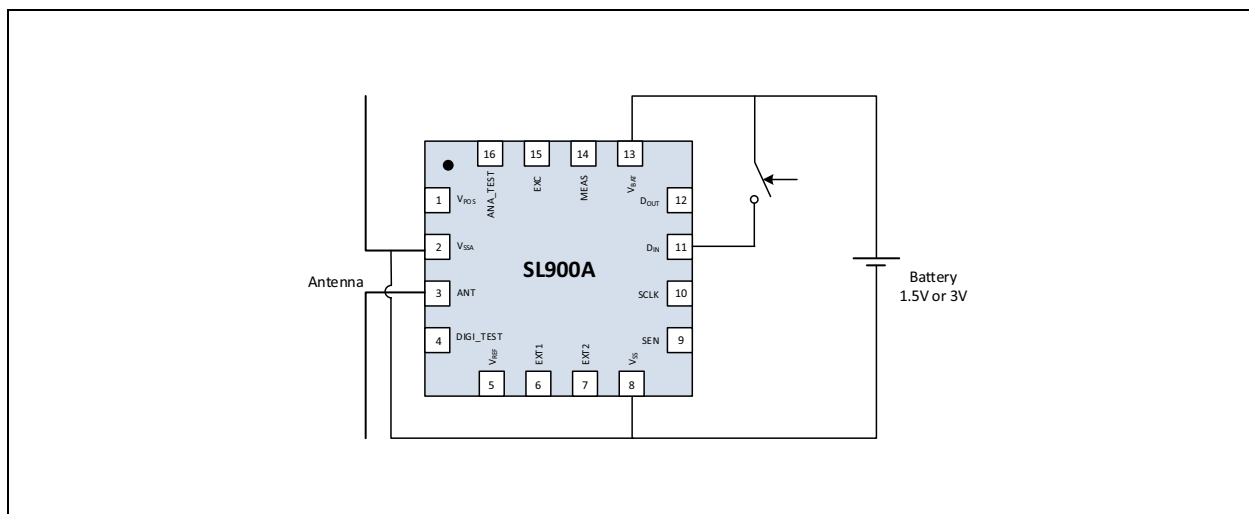
Figure 72:
Battery-Assisted Transponder with External Microcontroller



Battery-Assisted Transponder with Pushbutton for Manual Delayed Log Start

In the battery-assisted transponder application, 5 pads are used – the antenna pads, the battery pads and DIN for push button input. This kind of circuit is suitable for a temperature data logger application with manual logging start.

Figure 73:
Battery-Assisted Transponder with Pushbutton for Manual Delayed Log Start



Dense Mode Logging – First 8 Measurements

This is a short representation of the Measurement memory, the address pointer and the measurement counter for dense logging mode with the integrated temperature sensor. Shown are only the first 8 measurements – all other measurements are stored in same manner. The address Pointer points to the block where the next measurement will be stored. Because measurement data does not always neatly fit into a block, the Broken Word Pointer x2 shows how many of the bits in that block have already been used by the previous measurement.

Temperature data is: 0x2AA, 0x3FF, 0x2AA, 0x3FF, ...

Figure 74:
Dense Mode Logging – First 8 Measurements:

No Measurement:

0	00000000	00000000
1	00000000	00000000
2	00000000	00000000
3	00000000	00000000
4	00000000	00000000
5	00000000	00000000

Address pointer	0
Measurement counter	0
Broken Word Pointer	0

Measurement 1:

0	10101010	10000000
1	00000000	00000000
2	00000000	00000000
3	00000000	00000000
4	00000000	00000000
5	00000000	00000000

Address pointer	0
Measurement counter	1
Broken Word Pointer	5

Measurement 2:

0	10101010	10111111
1	11110000	00000000
2	00000000	00000000
3	00000000	00000000
4	00000000	00000000
5	00000000	00000000

Address pointer	1
Measurement counter	2
Broken Word Pointer	2

Measurement 3:

0	10101010	10111111
1	11111010	10101000
2	00000000	00000000
3	00000000	00000000
4	00000000	00000000
5	00000000	00000000

Address pointer	1
Measurement counter	3
Broken Word Pointer	7

Measurement 4:

0	10101010	10111111
1	11111010	10101011
2	11111111	00000000
3	00000000	00000000
4	00000000	00000000
5	00000000	00000000

Address pointer	2
Measurement counter	4
Broken Word Pointer	4

Measurement 5:

0	10101010	10111111
1	11111010	10101011
2	11111111	10101010
3	10000000	00000000
4	00000000	00000000
5	00000000	00000000

Address pointer	3
Measurement counter	5
Broken Word Pointer	1

Measurement 6:

0	10101010	10111111
1	11111010	10101011
2	11111111	10101010
3	10111111	11110000
4	00000000	00000000
5	00000000	00000000

Address pointer	3
Measurement counter	6
Broken Word Pointer	6

Measurement 7:

0	10101010	10111111
1	11111010	10101011
2	11111111	10101010
3	10111111	11111010
4	10101000	00000000
5	00000000	00000000

Address pointer	4
Measurement counter	7
Broken Word Pointer	3

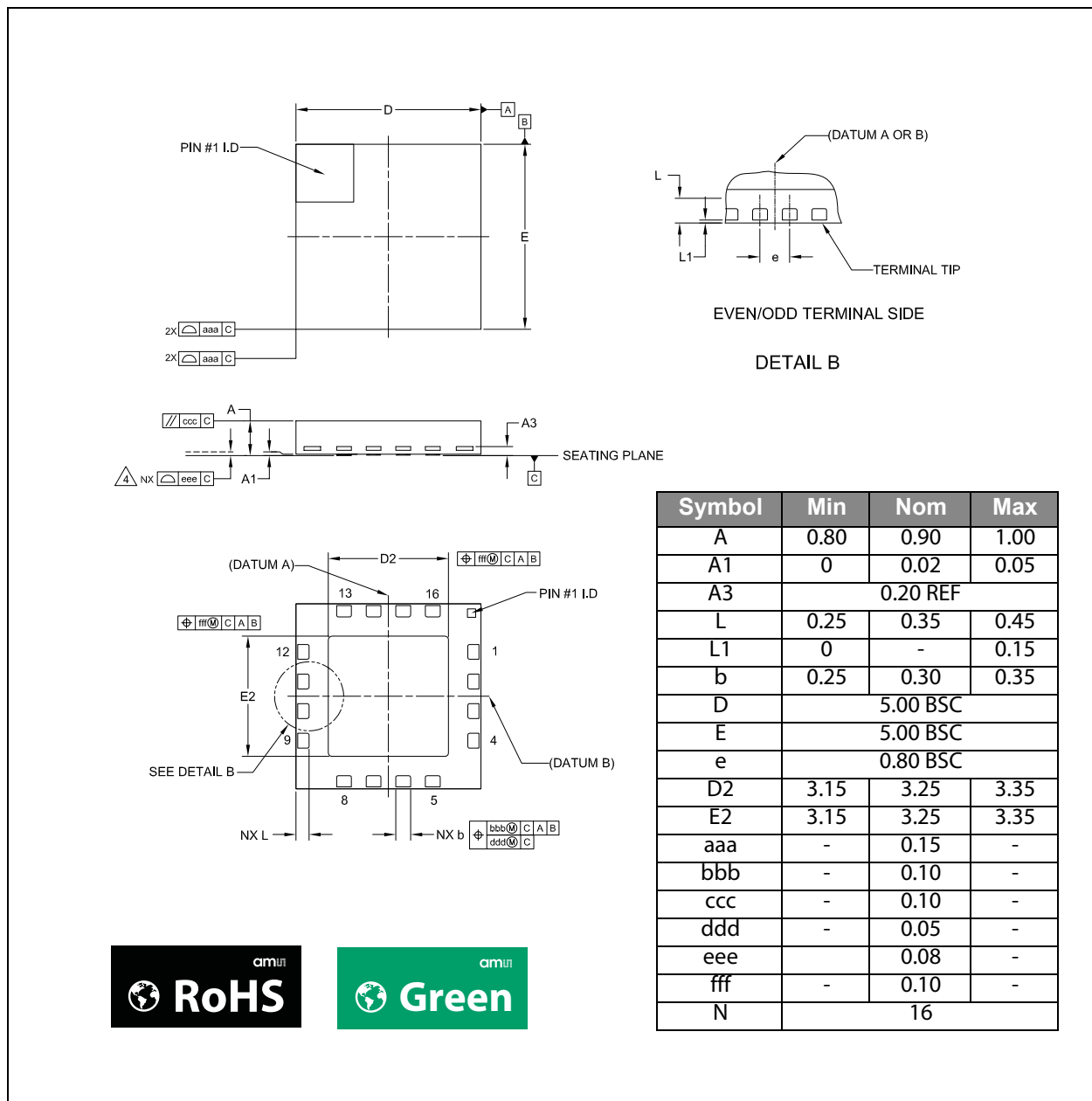
Measurement 8:

0	10101010	10111111
1	11111010	10101011
2	11111111	10101010
3	10111111	11111010
4	10101011	11111111
5	00000000	00000000

Address pointer	5
Measurement counter	8
Broken Word Pointer	0

Package Drawings & Markings

Figure 75:
Package Drawing QFN-16



SL900A Package Drawings: The reflow peak soldering temperature (body temperature) is specified according IPC/JEDEC J-STD-020C “Moisture/Reflow Sensitivity Classification for Nonhermetic Solid State Surface Mount Devices”.

Note(s):

1. Dimensioning and tolerances conform to *ASME Y14.5M-1994*.
2. All dimensions are in millimeters. Angles are in degrees.
3. Dimension b applies to metalized terminal and is measured between 0.25mm and 0.30mm from terminal tip. Dimension L1 represents terminal full back from package edge up to 0.15mm is acceptable.
4. Coplanarity applies to the exposed heat slug as well as the terminal.
5. Radius on terminal is optional.
6. N is the total number of terminals.

Figure 76:
Package Marking

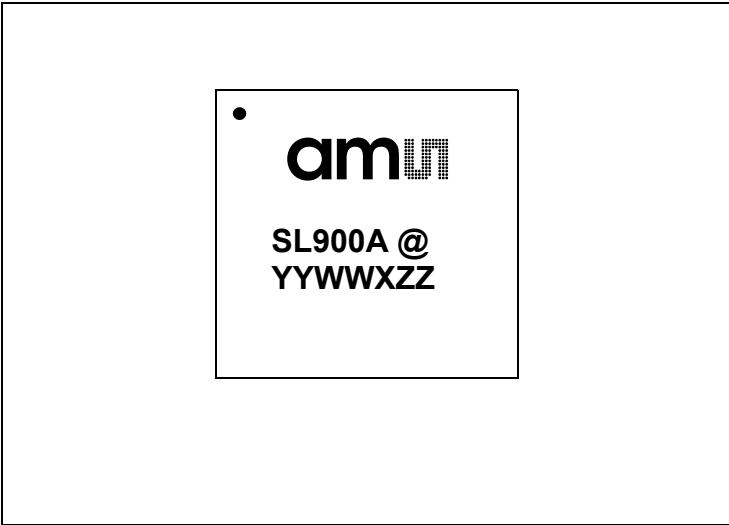
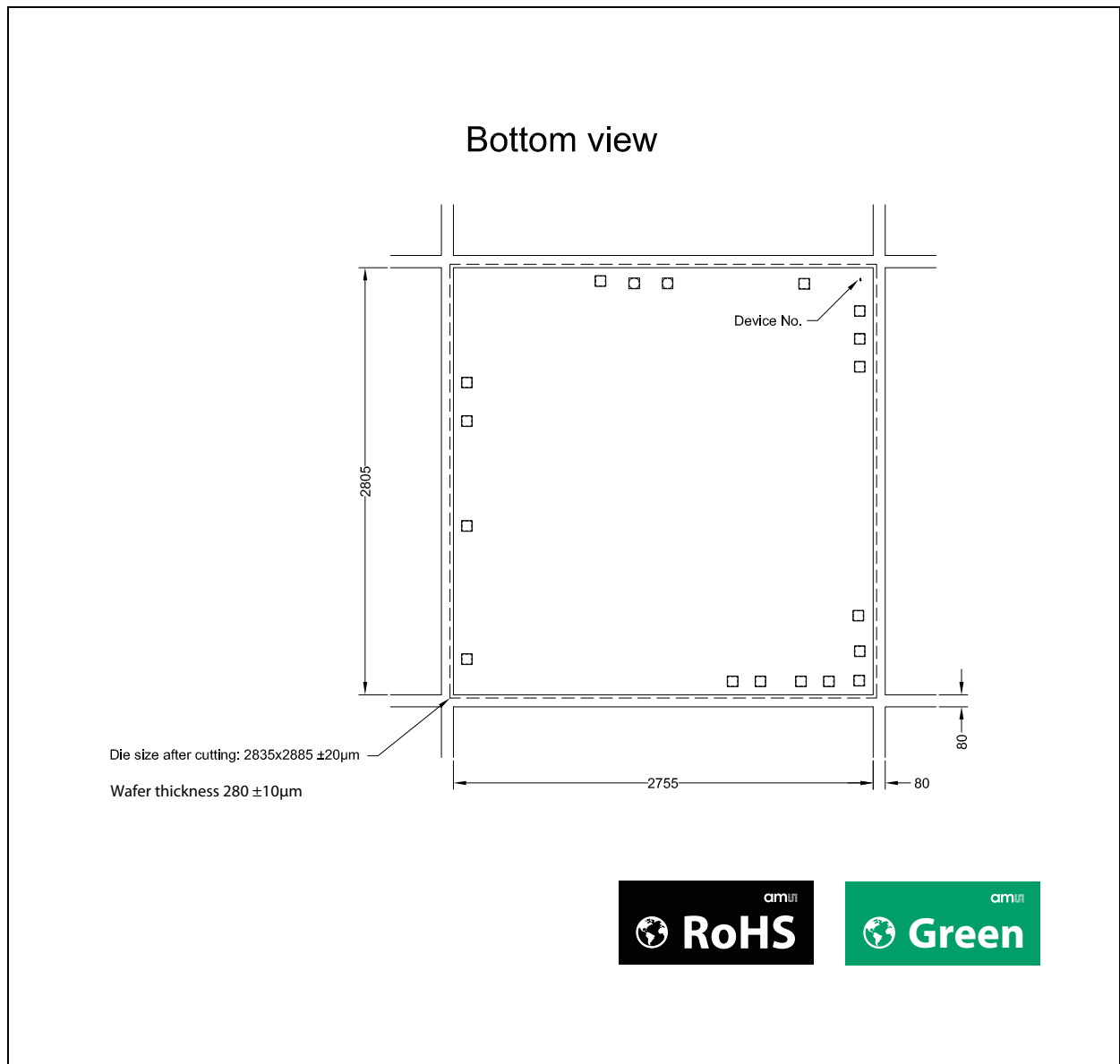


Figure 77:
Package Code: @YYWWXZZ

@	YY	WW	X	ZZ
Sublot identifier	Year	Week	Assembly plant identifier	Assembly traceability code

Figure 78:
Device Outline Drawing Bare Die



Ordering & Contact Information

Figure 79:
Ordering Information

Ordering Code	Description	Package Type	Device Marking	Delivery Form	Delivery Quantity
SL900A-AQFT ⁽¹⁾	Smart active label IC with on-chip temperature sensor and 9kbit EEPROM	QFN 16 (5 x 5 mm)	SL900A	Tape & reel	1000 pcs/reel
SL900A-AQFM ⁽¹⁾			SL900A	Tape & reel	100 pcs/reel
SL900A-ASDF		N/A	N/A	Tested sawn wafers on foil	~3000 pcs/wafer

Ordering Information: Order quantities should be a multiple of shipping form.

Note(s):

1. QFN devices are for engineering sample only.

Buy our products or get free samples online at:

www.ams.com/ICdirect

Technical Support is available at:

www.ams.com/Technical-Support

Provide feedback about this document at:

www.ams.com/Document-Feedback

For further information and requests, e-mail us at:

ams_sales@ams.com

For sales offices, distributors and representatives, please visit:

www.ams.com/contact

Headquarters

ams AG
Tobelbader Strasse 30
8141 Premstaetten
Austria, Europe

Tel: +43 (0) 3136 500 0

Website: www.ams.com

RoHS Compliant & ams Green Statement

RoHS: The term RoHS compliant means that ams AG products fully comply with current RoHS directives. Our semiconductor products do not contain any chemicals for all 6 substance categories, including the requirement that lead not exceed 0.1% by weight in homogeneous materials. Where designed to be soldered at high temperatures, RoHS compliant products are suitable for use in specified lead-free processes.

ams Green (RoHS compliant and no Sb/Br): ams Green defines that in addition to RoHS compliance, our products are free of Bromine (Br) and Antimony (Sb) based flame retardants (Br or Sb do not exceed 0.1% by weight in homogeneous material).

Important Information: The information provided in this statement represents ams AG knowledge and belief as of the date that it is provided. ams AG bases its knowledge and belief on information provided by third parties, and makes no representation or warranty as to the accuracy of such information. Efforts are underway to better integrate information from third parties. ams AG has taken and continues to take reasonable steps to provide representative and accurate information but may not have conducted destructive testing or chemical analysis on incoming materials and chemicals. ams AG and ams AG suppliers consider certain information to be proprietary, and thus CAS numbers and other limited information may not be available for release.

Copyrights & Disclaimer

Copyright ams AG, Tobelbader Strasse 30, 8141 Premstaetten, Austria-Europe. Trademarks Registered. All rights reserved. The material herein may not be reproduced, adapted, merged, translated, stored, or used without the prior written consent of the copyright owner.

Devices sold by ams AG are covered by the warranty and patent indemnification provisions appearing in its General Terms of Trade. ams AG makes no warranty, express, statutory, implied, or by description regarding the information set forth herein. ams AG reserves the right to change specifications and prices at any time and without notice. Therefore, prior to designing this product into a system, it is necessary to check with ams AG for current information. This product is intended for use in commercial applications. Applications requiring extended temperature range, unusual environmental requirements, or high reliability applications, such as military, medical life-support or life-sustaining equipment are specifically not recommended without additional processing by ams AG for each application. This product is provided by ams AG "AS IS" and any express or implied warranties, including, but not limited to the implied warranties of merchantability and fitness for a particular purpose are disclaimed.

ams AG shall not be liable to recipient or any third party for any damages, including but not limited to personal injury, property damage, loss of profits, loss of use, interruption of business or indirect, special, incidental or consequential damages, of any kind, in connection with or arising out of the furnishing, performance or use of the technical data herein. No obligation or liability to recipient or any third party shall arise or flow out of ams AG rendering of technical or other services.

Document Status

Document Status	Product Status	Definition
Product Preview	Pre-Development	Information in this datasheet is based on product ideas in the planning phase of development. All specifications are design goals without any warranty and are subject to change without notice
Preliminary Datasheet	Pre-Production	Information in this datasheet is based on products in the design, validation or qualification phase of development. The performance and parameters shown in this document are preliminary without any warranty and are subject to change without notice
Datasheet	Production	Information in this datasheet is based on products in ramp-up to full production or full production which conform to specifications in accordance with the terms of ams AG standard warranty as given in the General Terms of Trade
Datasheet (discontinued)	Discontinued	Information in this datasheet is based on products which conform to specifications in accordance with the terms of ams AG standard warranty as given in the General Terms of Trade, but these products have been superseded and should not be used for new designs

Revision Information

Changes from 1-07 (2016-May-04) to current revision 1-10 (2018-Mar-14)	Page
1-07 (2016-May-04) to 1-08 (2018-Feb-26)	
Updated General Description	1
Updated Key Benefits and Features	1
Updated text above Figure 3	3
Updated Figure 4	3
Updated note under Figure 8	6
Updated Figure 10	8
Updated Electrical Characteristics	9
Updated Supply Arrangement	12
Updated Analog Front End (AFE), Serial Interface (SPI Slave) and Temperature Sensor	13
Updated Figure 15	16
Updated System Description	17
Updated Analog to Digital Conversion	23
Updated Temperature Conversion	26
Updated Battery Voltage Conversion	26
Updated QueryREP - #01	30
Updated Set Password - #15	32
Updated End Log - #21	32
Updated Custom Command Description	34
Updated Set Log Mode	36
Updated End Log	40
Updated Start Log	41
Updated Get Log State	41
Updated Get Calibration Data	43
Updated Get Battery Level	44
Added Figures 28 & 29 and updated Figure 30	51
Updated Rolling Storage Rule	54
Updated SPI Slave Interface	55

Changes from 1-07 (2016-May-04) to current revision 1-10 (2018-Mar-14)	Page
Updated Figure 45	59
Added Arbitration between SPI and UHF Reader	60
Added POR section	77
Added Low Battery Flag	81
Updated Figure 69	82
Updated Dense Mode Logging – First 8 Measurements	92
Updated Figure 78	97
Updated Figure 79 and added note below	98
1-08 (2018-Feb-26) to 1-09 (2018-Mar-06)	
Updated Figure 11 and added note below	9
Updated Temperature Sensor	14
1-09 (2018-Mar-06) to 1-10 (2018-Mar-14)	
Updated Figure 70	90
Updated Figure 71	90
Updated Figure 72	91
Updated Figure 73	91

Note(s):

1. Page and figure numbers for the previous version may differ from page and figure numbers in the current revision.
2. Correction of typographical errors is not explicitly mentioned.

Content Guide

1	General Description
1	Key Benefits & Features
2	Applications
2	Block Diagram
3	Pin Assignment
4	Bare Die Pads Layout
4	Pad Diagram
6	Pad Description
7	Absolute Maximum Ratings
8	Electrical Discharge Sensitivity
8	Operating Conditions
9	Electrical Characteristics
12	Short Description
12	Supply Arrangement
13	Analog Front End (AFE)
13	Processing and Digital Control
13	Serial Interface (SPI Slave)
13	Real-Time Clock (RTC)
13	Temperature Sensor
14	External Sensors
14	Analog to Digital Converter
14	External Sensor Interrupt
14	Data Protection
14	Shelf Life
15	Memory Arrangement
16	System Description
16	Initializing the Chip
16	Power Modes
16	Standby Mode
16	Ready Mode
16	Active Mode
16	Interrupt Mode
16	Logging Mode
18	State Diagram
18	Data Protection
20	Data Log Functions
21	Limits Counter
22	Logging Timer
22	Delay Time
22	Analog to Digital Conversion
25	Temperature Conversion
25	Battery Voltage Conversion

26 Commands

29 Supported EPC Gen2 Commands

- 29 QueryREP - #01
- 29 ACK - #02
- 29 Query - #03
- 29 QueryAdjust - #04
- 29 Select - #05
- 29 NAK - #06
- 29 Req_RN - #07
- 29 Read - #08
- 30 Write - #09
- 30 Kill - #10
- 30 Lock - #11
- 30 Access - #12
- 30 BlockWrite - #13
- 30 BlockErase - #14

31 cool-Log Custom Commands

- 31 Set Password - #15
- 31 Set Log Mode - #16
- 31 Set Log Limits - #17
- 31 Get Measurement Setup - #18
- 31 Set SFE Parameters - #19
- 31 Set Calibration Data - #20
- 31 End Log - #21
- 32 Start Log - #22
- 32 Get Log State - #23
- 32 Get Calibration Data - #24
- 32 Get Battery Level - #25
- 32 Set Shelf Life - #26
- 32 Initialize - #27
- 32 Get Sensor Value - #28
- 32 Open Area - #29
- 32 Access FIFO - #30

33 Custom Command Description

- 34 Set Password
- 35 Set Log Mode
- 36 Set Log Limits
- 36 Get Measurement Setup
- 38 Set SFE Parameters
- 39 Set Calibration Data
- 39 End Log
- 40 Start Log
- 40 Get Log State
- 42 Get Calibration Data
- 43 Get Battery Level
- 44 Set Shelf Life
- 45 Initialize
- 46 Get Sensor Value
- 47 Open Area
- 47 Access FIFO

49	Logging Formats
49	Dense Logging Form
50	Out-of-Limits Logging Form
51	Interrupt Logging Form
52	Storage Capacity
53	Storage Rule
53	Normal Storage Rule
53	Rolling Storage Rule
54	SPI Slave Interface
58	SPI Direct Commands
59	FIFO
59	Arbitration Between SPI and UHF Reader
60	Alternate Pad Functions
60	Manual Log Start with Button
61	External Shelf Life Alarm Function
62	External Sensor Front-End (SFE)
63	SFE Interface
66	External Sensor 1 Interface
69	External Sensor 2 Interface
71	External Sensor Interface Settings
72	External Sensor Interrupt
74	Calibration Bits
76	POR
77	Shelf Life Calculation
77	Shelf Life Sensor ID [1:0]
80	Low Battery Flag
80	Shelf Life Algorithm
81	Memory Map Overview
89	Applications
89	Battery-Assisted Transponder – Temperature Data Logger
89	Passive Transponder – Passive Temperature Sensor
90	Battery-Assisted Transponder with External Microcontroller
90	Battery-Assisted Transponder with Pushbutton for Manual Delayed Log Start
91	Dense Mode Logging – First 8 Measurements
94	Package Drawings & Markings
97	Ordering & Contact Information
98	RoHS Compliant & ams Green Statement
99	Copyrights & Disclaimer
100	Document Status
101	Revision Information