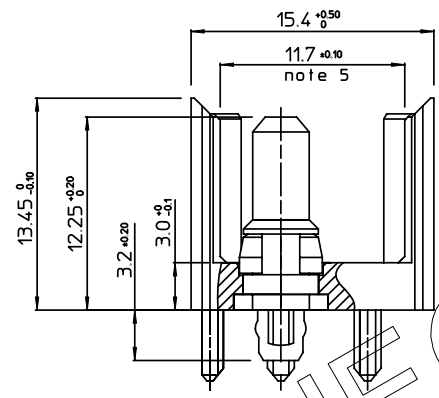
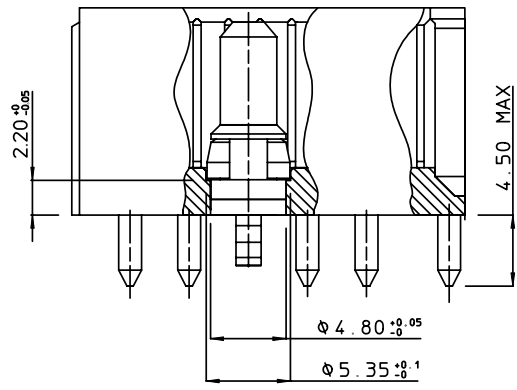


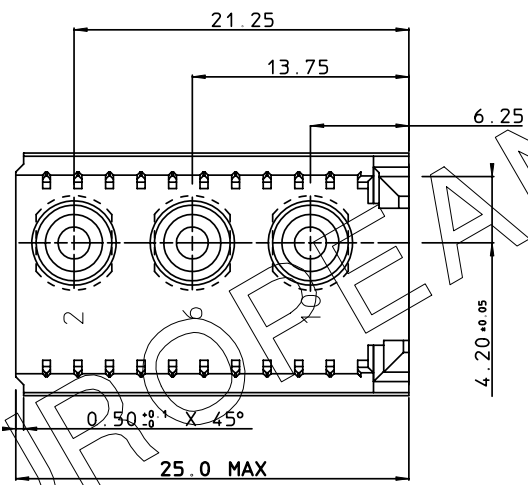
| | | | | | | | | | | | | | | | | | | | | | | | | | | | | | | | |
|----------|----|----|----|----|----|----|----|----|----|----|----|----|----|----|----|----|----|----|----|----|----|----|----|----|----|----|----|----|----|----|----|
| GEN. ST. | 01 | 02 | 03 | 04 | 05 | 06 | 07 | 08 | 0D | 50 | 60 | 70 | 80 | 90 | | | | | | | | | | | | | | | | | |
| INT. ST. | 10 | 11 | 12 | 13 | 14 | 18 | 20 | 31 | 32 | 33 | 34 | 38 | 39 | 40 | 42 | 43 | 44 | 45 | 46 | 48 | 56 | 70 | 72 | 73 | 75 | 76 | 81 | 82 | 83 | 84 | 88 |

| REV. | DATE | DESCRIPTION | BY | C'K'D' |
|------|------------|------------------------|--------|--------|
| A | 2001-09-14 | CONVERSION REVISION 02 | KN | |
| B | 2005-11-04 | 105-0212 | ALEX B | BKP |
| C | 2006-07-05 | 106-0096 | VIVEK | BKP |

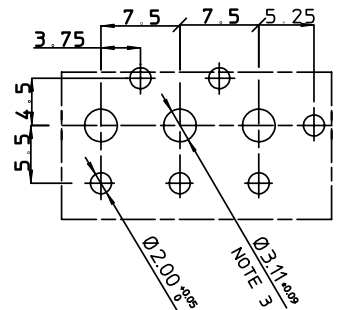


LEAD FREE INDICATOR : LF = LEAD FREE (DIGIT 13 & 14)

HM2A32PG5000



PCB HOLE LAY-OUT



NOTES

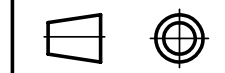
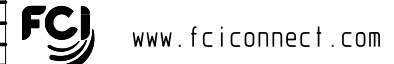
1. THIS PRODUCT IS UL RECOGNIZED. THIS PRODUCT IS CSA APPROVED.
2. FOR PRE-ASSEMBLED POWER PRESS-FIT CONTACT DETAIL, SEE DRAWING NR.: - BS,A,201624,017
3. PCB HOLE DEFINITION:

| Ø drilled hole | Cu plating | SnPb/Sn plating | Ø finished hole after reflow |
|----------------|------------|-----------------|------------------------------|
| 3.19 - 3.25 | 25 µm min. | 5 µm min. | 3.02 - 3.20 |

4. PLATING: 1.5µm Au OVER 2.0µm Ni (MATING AREA).
5. MEASURED AT THE BOTTOM.
6. ALLOWED PCB THICKNESS: MIN. 1.8 MM.
7. MAX. CURRENT = 40 A
8. THE PRODUCT (LF) MEETS EUROPEAN UNION DIRECTIVES AND OTHER COUNTRY REGULATIONS AS DESCRIBED IN GS-22-008

MALE PRE-ASSEMBLED POWER PRESS-FIT CONNECTOR.

| | | | | |
|---|--|---------------------------|-------------------------|---|
| 1DEC ±0.2 2DEC ±0.1 ANGLES ±1° | APPR. DRAFT CHECKED | DATE 1997-12-18 | SIGN. W.Panis | MILLIPACS 2 / TYPE N / PRE-ASS. CONN. CAT. No. HM2A32PG5000-- |
| WE RESERVE THE RIGHT TO CHANGE DIMENSIONS OR REQUIREMENTS WITHOUT PRIOR NOTICE. | PROD. MGR. PR. ENG. MGR. PR. MGT. MGR. | | | SCALE 3 / 1 |



REFERENCES

BS,C ,201632,026 C
DRAWING No. CUSTOMER DRAWING REVISION

THIS IS OUR EXCLUSIVE PROPERTY. IT IS NOT TO BE COPIED, REPRINTED OR DISCLOSED TO A THIRD PARTY, NOR USED FOR MANUFACTURING WITHOUT OUR WRITTEN CONSENT, AND HAS TO BE RETURNED TO US IN CASE OF NO USAGE
DIT IS ONZE EIGENDOM EN MAG NOCH MAEKMAAKT, HERDRUKT, OVERNEEMT AAN DERDEN, NOCH VOOR FABRIKATIE GEBRUIKT WORDEN, ZONDER ONZE SCHRIFTELIJKE TOELATING. BIJ NIET GEBRUIK IS TERUGZENDING VERPLICHT.