

4

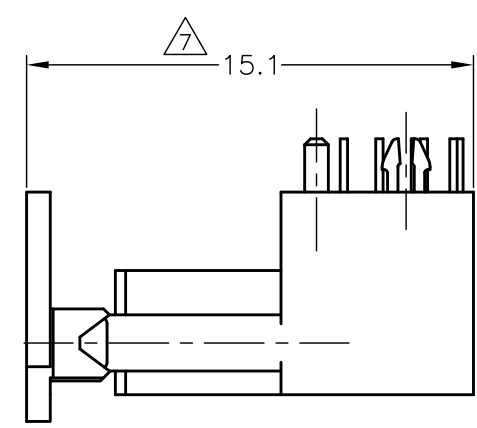
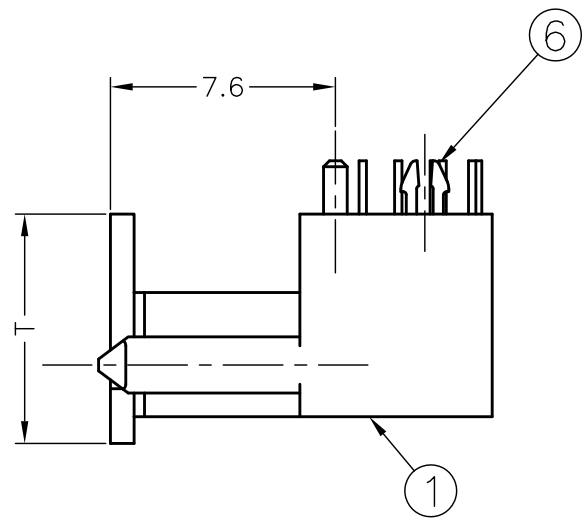
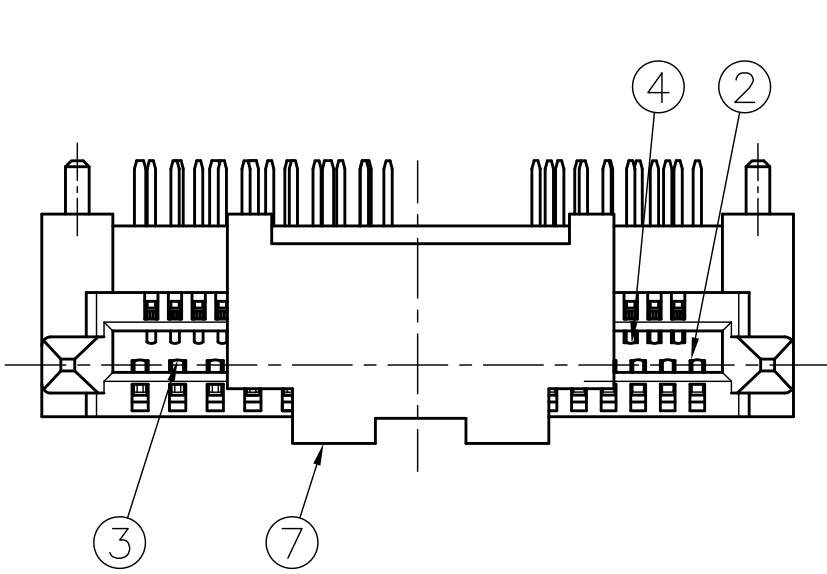
3

2

1

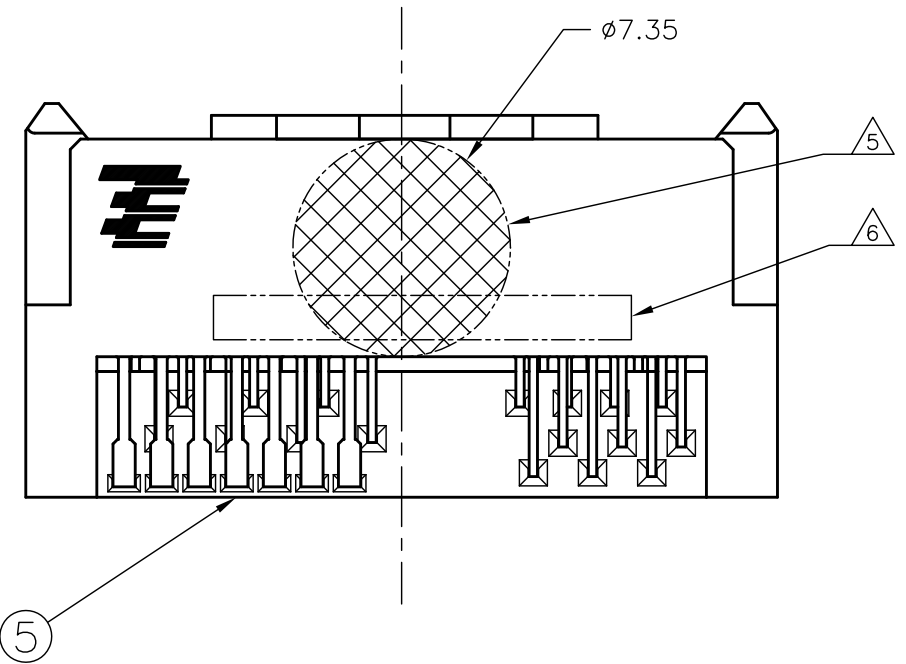
THIS DRAWING IS UNPUBLISHED. RELEASED FOR PUBLICATION
 © COPYRIGHT - By - ALL RIGHTS RESERVED.

LOC	DIST	REVISIONS				
P	LTR	DESCRIPTION	DATE	DWN	APVD	
DW	/	C1	RELEASED	07FEB2014	W.C	V.P



X-2129116-X: AS SHOWN; W/CAP

- 1. MATERIAL;
 HOUSING: HIGH TEMPERATURE THERMO PLASTIC, UL94V-0, COLOR:BLACK
 TINE PLATE: HIGH TEMPERATURE THERMO PLASTIC, UL94V-0, COLOR:BLACK
 CONTACT:COPPER ALLOY
- 2. FINISH;
 CONTACT: ALL OVER 1.27μm MIN NICKEL UNDER PLATING.
 CONTACT AREA: AU PLATING, SEE TABLE ON SHEET 3
 TINE AREA: 2.54μm MIN MATTE TIN PLATING
- 3. PICK & PLACE VACUUM AREA
- 4. DATE CODE
- 5. CAP REMOVABLE DIMENSION.
- 6. NET WEIGHT WITH CAP : SEE TABLE AT SHEET3
- 7. NET WEIGHT WITHOUT CAP : SEE TABLE AT SHEET3
- 10. LOW HALOGEN SPECIFICATION
 CHLORINE(CI) : 900 ppm MAX.
 BROMINE(Br) : 900 ppm MAX.
 CHLORINE(CI) & BROMINE(Br) : 1500 ppm MAX.



QTY	NAME	ITEM NO.
1	CAP	7
2	SOLDER LEG	6
1	TINE PLATE	5
18	PLUS CONTACT	4
7	SIGNAL CONTACT	3
6	POWER CONTACT	2
1	HOUSING	1

PARTS LIST

THIS DRAWING IS A CONTROLLED DOCUMENT.		DWN U.CHUANG 06AUG2010	TE Connectivity RECEPTACLE ASSY SLIMLINE SATA PLUS	
DIMENSIONS: mm		CHK V.PENG 06AUG2010		
TOLERANCES UNLESS OTHERWISE SPECIFIED:		APVD W.KODAMA 06AUG2010	NAME	
6 PLC ± 1 PLC ± ±0.25 2 PLC ± ±3 3 PLC ± ± 4 PLC ± ± ANGLES ± ±		PRODUCT SPEC 108-99030	APPLICATION SPEC	
MATERIAL		WEIGHT	SIZE A3	CAGE CODE 00779
FINISH		CUSTOMER DRAWING	DRAWING NO C-2129116	RESTRICTED TO
		SCALE 4:1	SHEET 1 OF 5	REV C1

4

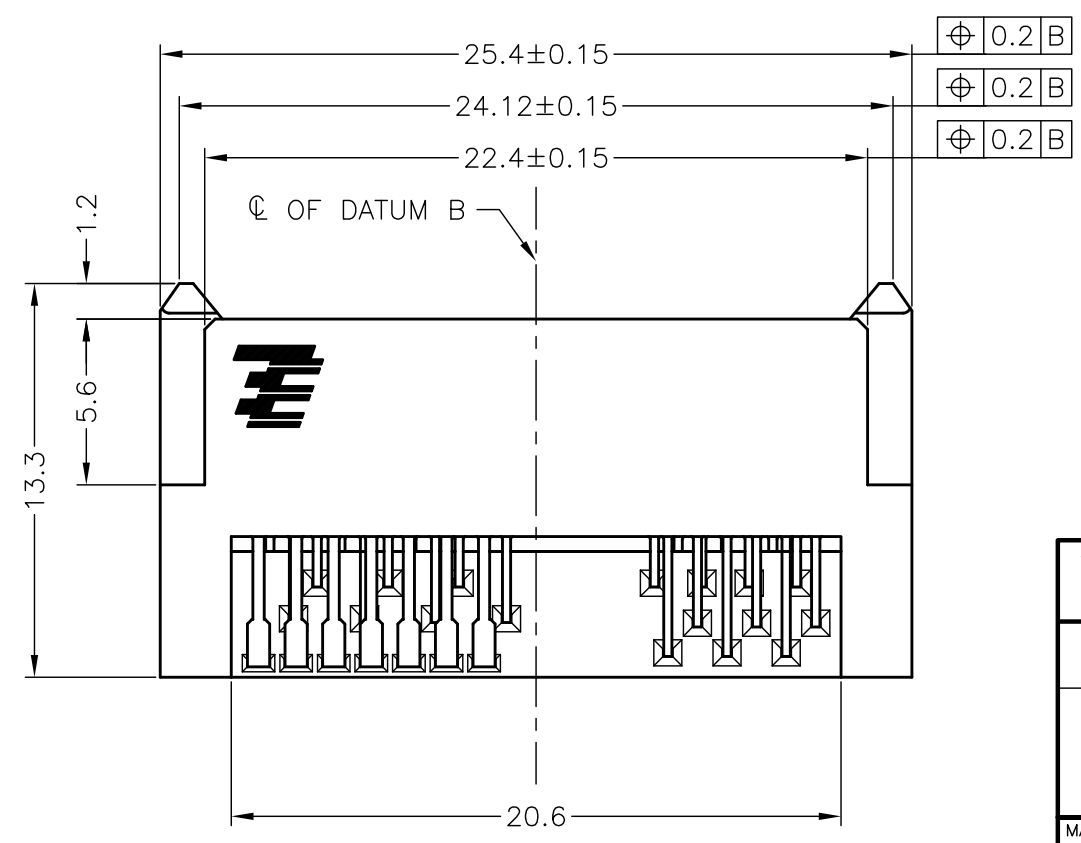
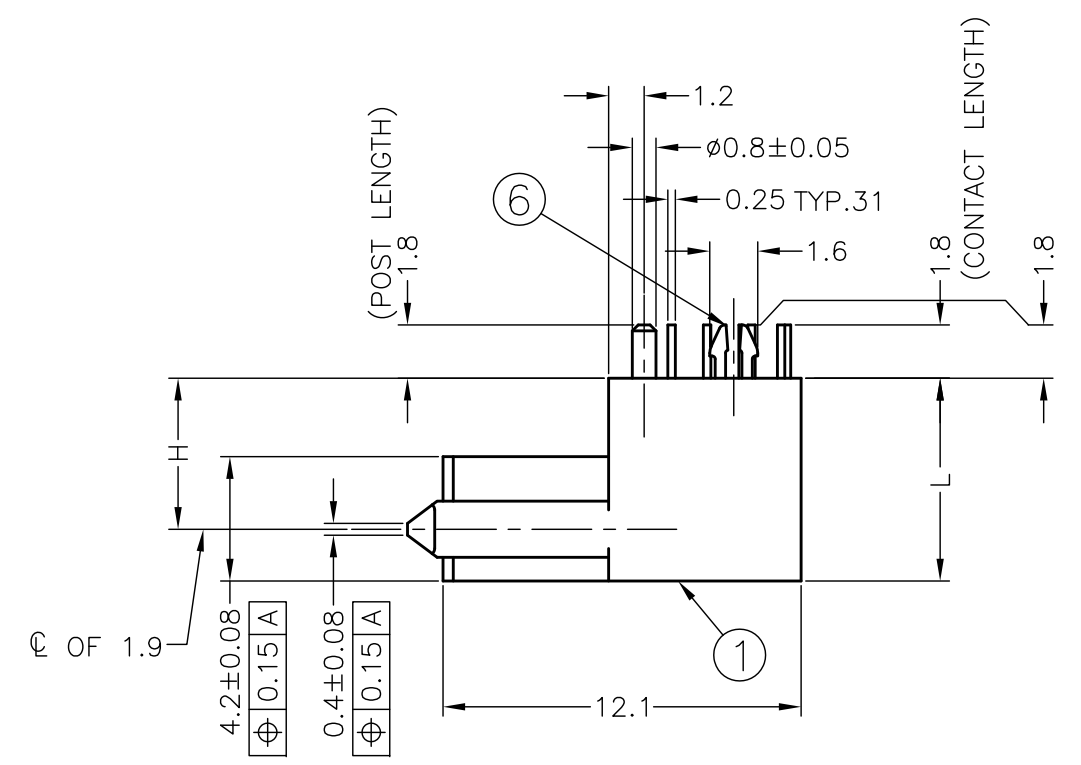
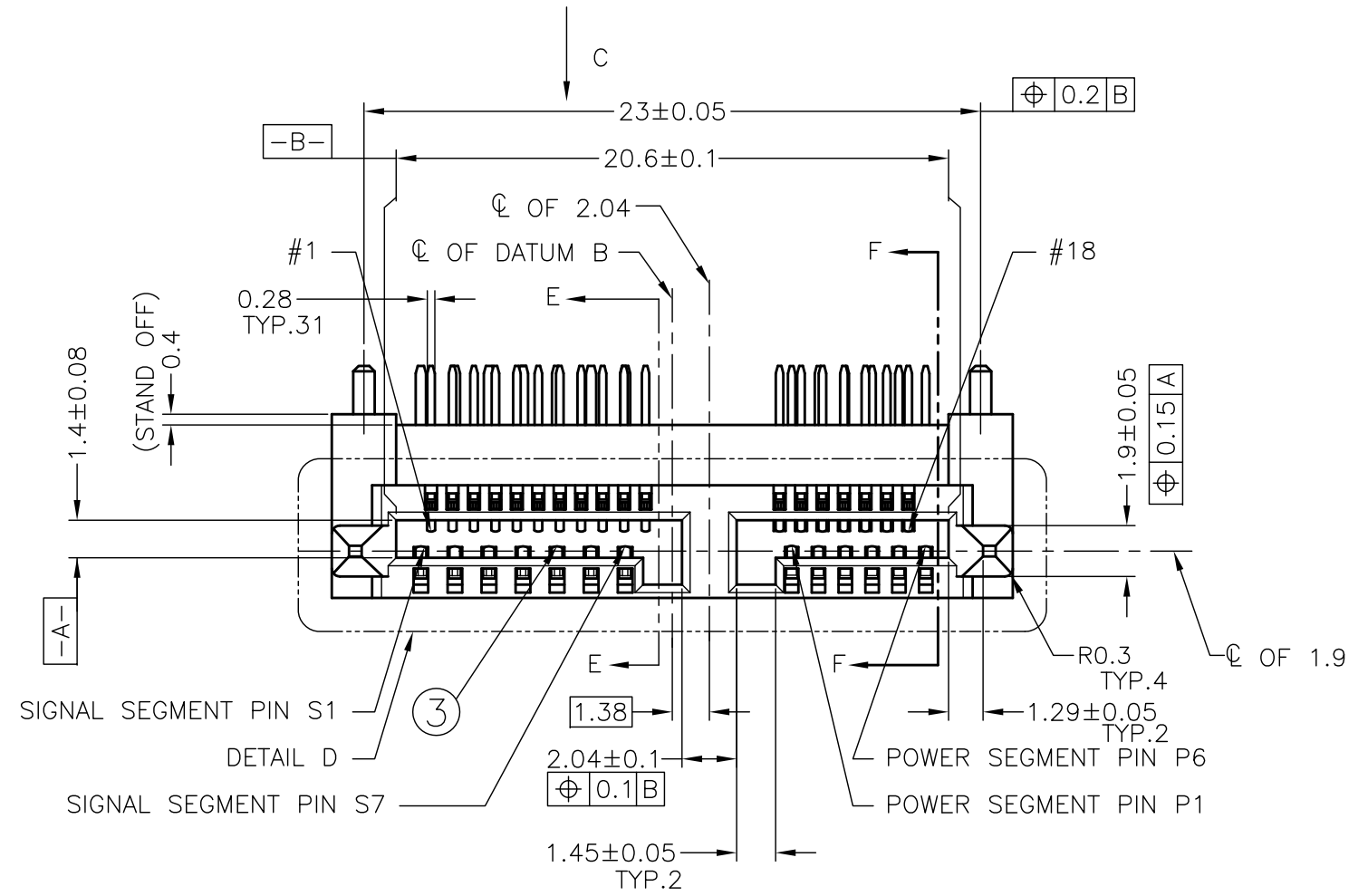
3

2

1

THIS DRAWING IS UNPUBLISHED. RELEASED FOR PUBLICATION
 © COPYRIGHT - By - ALL RIGHTS RESERVED.

LOC	DIST	REVISIONS			
P	LTR	DESCRIPTION	DATE	DWN	APVD
-	-	SEE SHEET 1	-	-	-



X-2129116-X: AS SHOWN;W/O CAP

THIS DRAWING IS A CONTROLLED DOCUMENT.		DWN		TE Connectivity	
DIMENSIONS: mm		CHK			
TOLERANCES UNLESS OTHERWISE SPECIFIED:		APVD		NAME	
6 PLC ± 1 PLC ± ±0.25 2 PLC ± ±3° 3 PLC ± ± 4 PLC ± ± ANGLES ± ±		PRODUCT SPEC		RECEPTACLE ASSY SLIMLINE SATA PLUS	
MATERIAL		WEIGHT		SIZE CAGE CODE DRAWING NO RESTRICTED TO	
FINISH		CUSTOMER DRAWING		A3 00779 C-2129116	
		SCALE 4:1		SHEET 2 OF 5 REV C1	

4

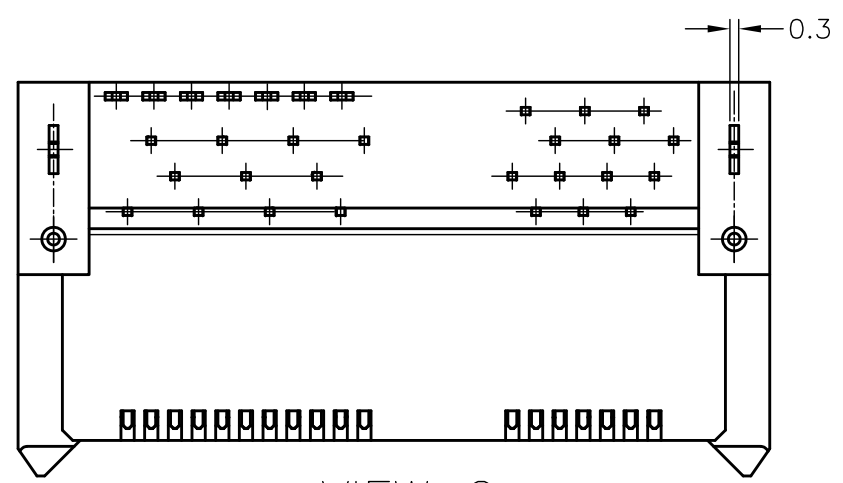
3

2

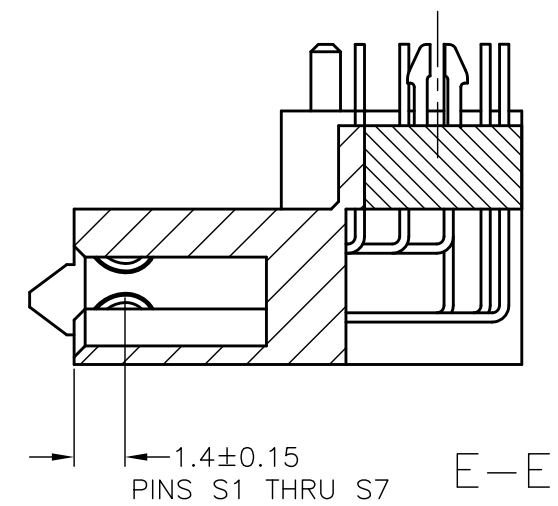
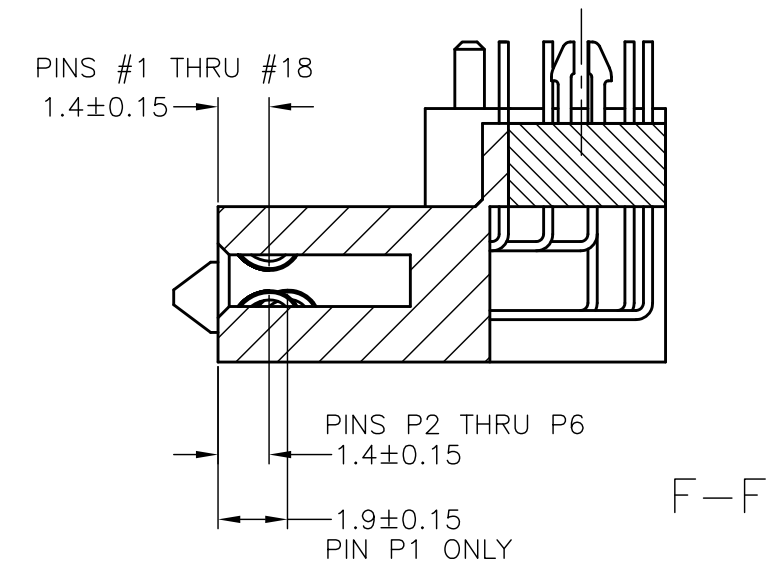
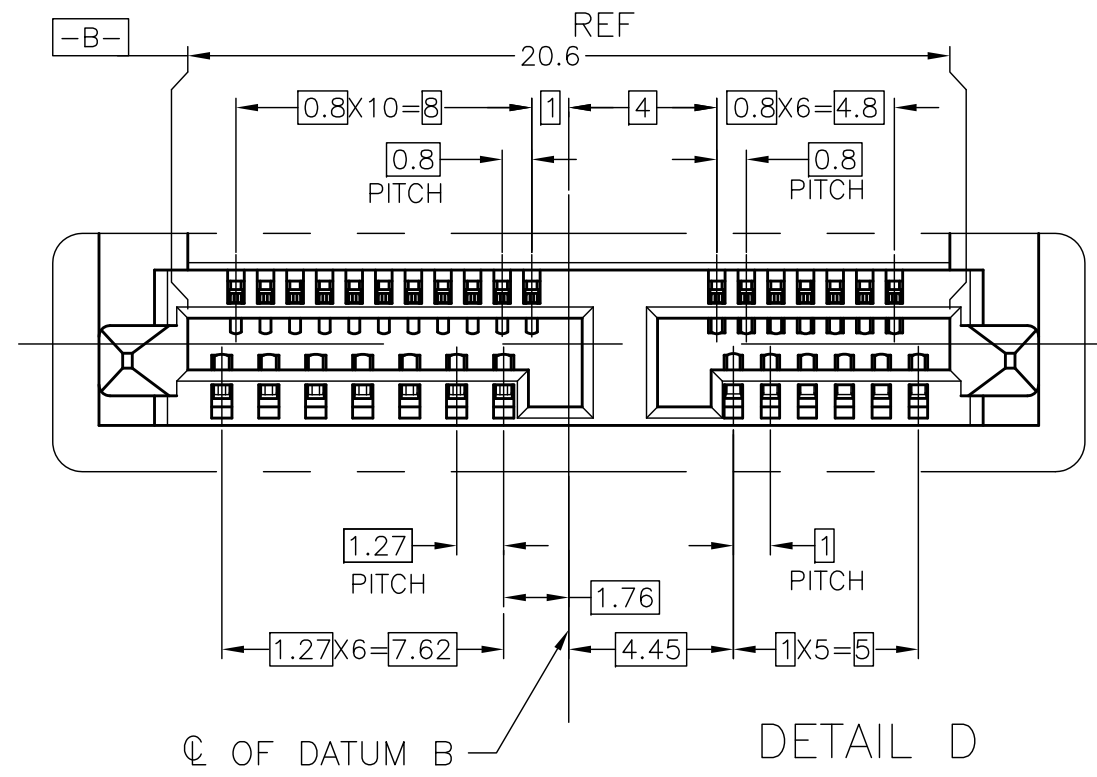
1

THIS DRAWING IS UNPUBLISHED. RELEASED FOR PUBLICATION
 © COPYRIGHT - By - ALL RIGHTS RESERVED.

LOC	DIST	REVISIONS				
P	LTR	DESCRIPTION	DATE	DWN	APVD	
DW		SEE SHEET 1	-	-	-	



VIEW C
SCALE 4:1



#18	HPD_PLUG DETECT		
#17	SMB_CLK		
#16	SMB_DATA		
#15	PERST#		
#14	WAKE#		
#13	CLKREQ#	P6	GND
#12	+5V	P5	GND
#11	GND	P4	MANUFACTURING DIAGNOSTIC
#10	PERX-	P3	+5V
#9	PERX+	P2	+5V
#8	GND	P1	DEVICE PRESENT
#7	GND	S7	GND
#6	PETX-	S6	B+
#5	PETX+	S5	B-
#4	GND	S4	GND
#3	REFCLK-	S3	A-
#2	REFCLK+	S2	A+
#1	GND	S1	GND
PIN	DESCRIPTION	PIN	DESCRIPTION

5.51g	5.37g	8.25	7.35	5.60	0.76µm	2-2129116-3		
						2-2129116-2		
4.68g	4.56g	6.90	6.00	4.25	0.76µm	2-2129116-1		
						1-2129116-3		
						1-2129116-2		
						1-2129116-1		
5.51g	5.37g	8.25	7.35	5.60	G/F	2129116-3		
						2129116-2		
4.68g	4.56g	6.90	6.00	4.25	G/F	2129116-1		
△9	NET WEIGHT	△8	NET WEIGHT	T	L	H	CONTACT AU PLATING	PART NUMBER

THIS DRAWING IS A CONTROLLED DOCUMENT.

DIMENSIONS: mm	TOLERANCES UNLESS OTHERWISE SPECIFIED: 6 PLC ± 1 PLC ± ±0.25 2 PLC ± ±3 3 PLC ± ± 4 PLC ± ± ANGLES ± ±	DWN CHK APVD PRODUCT SPEC APPLICATION SPEC WEIGHT CUSTOMER DRAWING	TE Connectivity NAME RECEPTACLE ASSY SLIMLINE SATA PLUS	
MATERIAL	FINISH	SIZE A3	CAGE CODE 00779	DRAWING NO 2129116
		SCALE 5:1	SHEET 3 of 5	REV C1

4

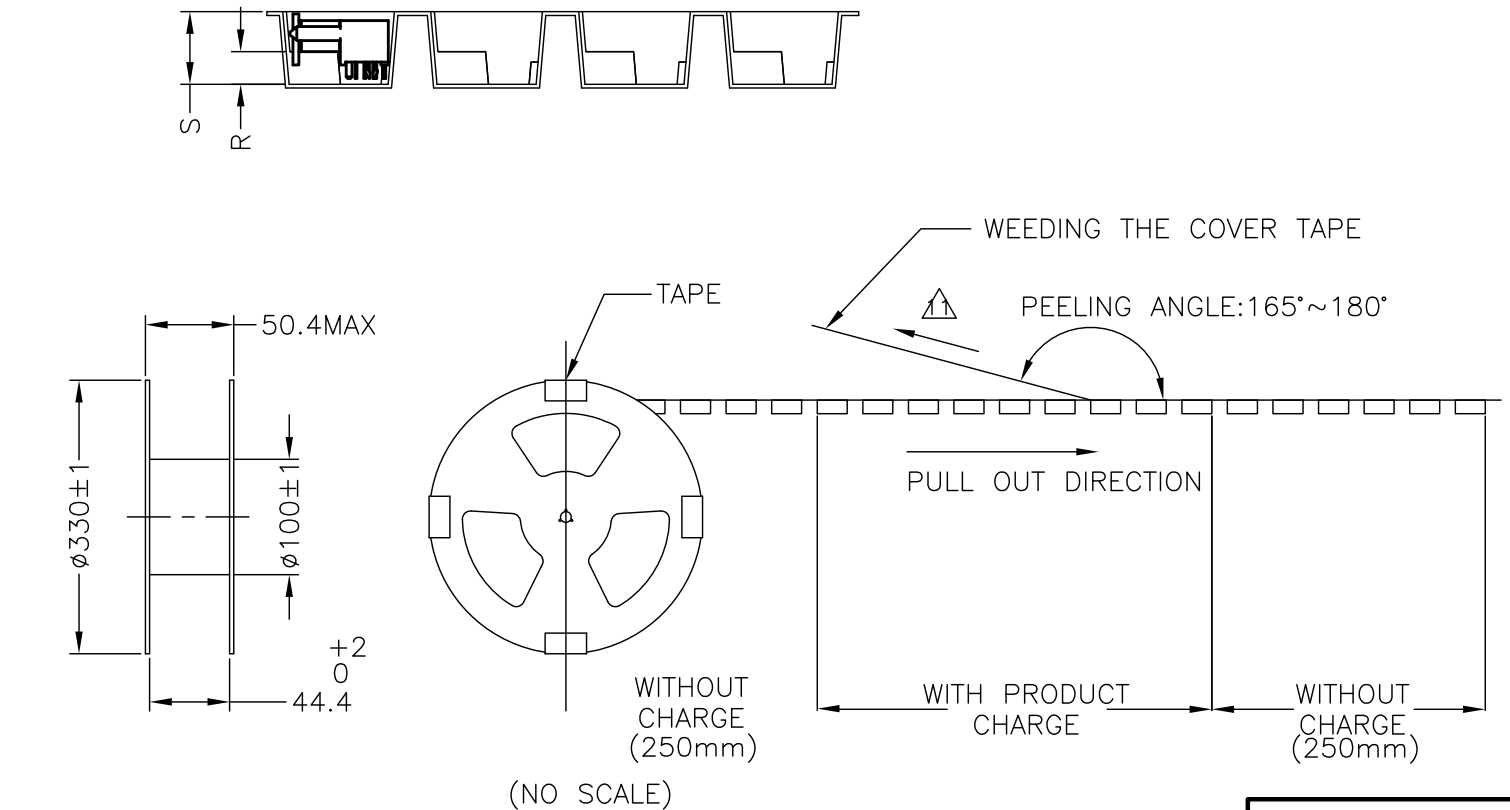
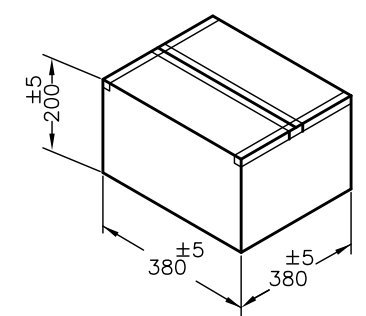
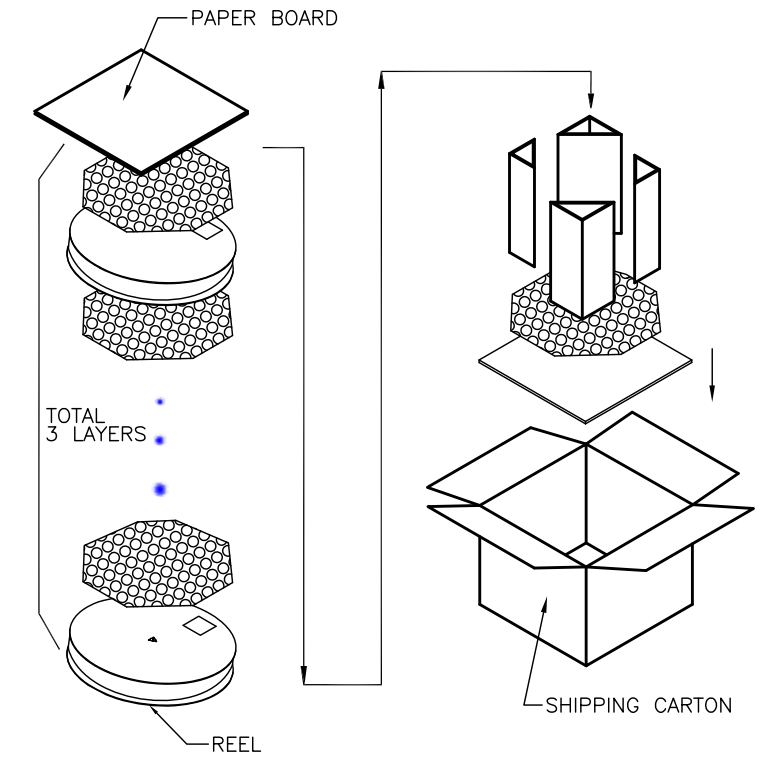
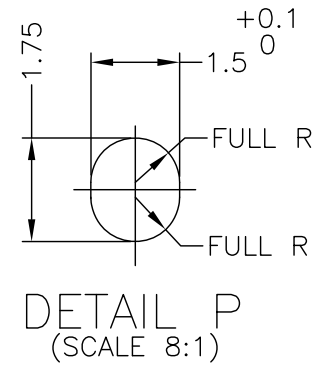
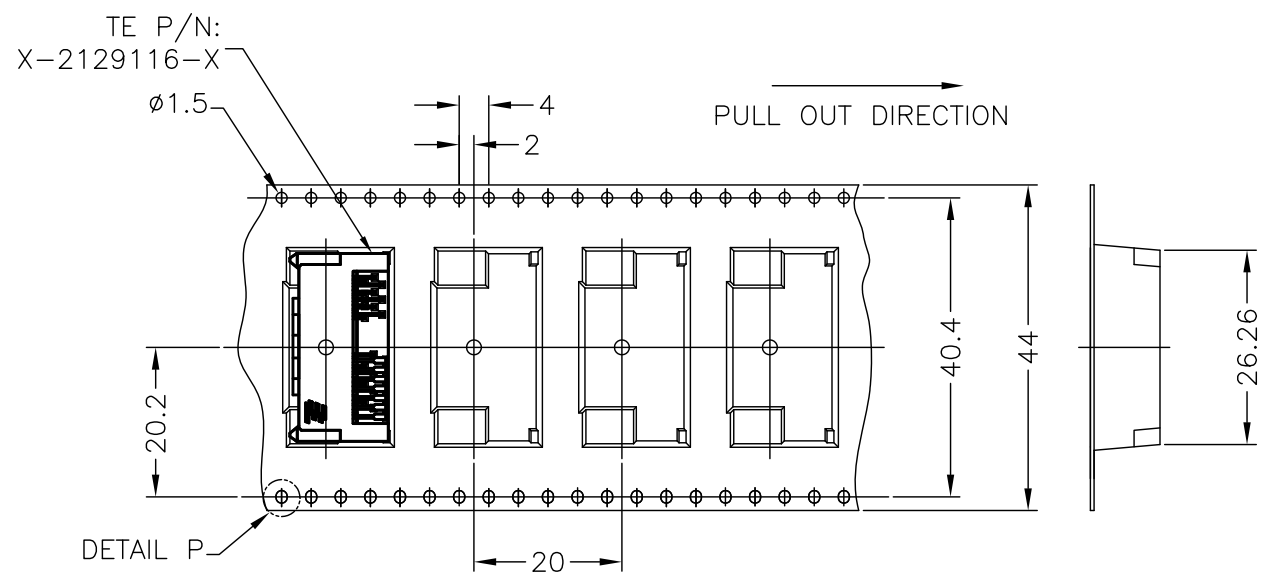
3

2

1

THIS DRAWING IS UNPUBLISHED. RELEASED FOR PUBLICATION - , - .
 © COPYRIGHT - By - ALL RIGHTS RESERVED.

LOC	DIST	REVISIONS			
P	LTR	DESCRIPTION	DATE	DWN	APVD
DW	/	SEE SHEET 1	-	-	-



PEELING STRENGTH OF COVER TAPE: 0.2N ~ 1.2N
 12. PACKING MATERIAL: CARRY TAPE: HIPS; COLOR: CLEAR
 COVER TAPE: PET; COLOR: CLEAR

(NO SCALE)

THIS DRAWING IS A CONTROLLED DOCUMENT.		DWN	TE Connectivity	
DIMENSIONS: mm		CHK	NAME	
TOLERANCES UNLESS OTHERWISE SPECIFIED:		APVD	RECEPTACLE ASSY SLIMLINE SATA PLUS	
<ul style="list-style-type: none"> 6 PLC ± 1 PLC ± ±0.5 2 PLC ± ±3° 3 PLC ± ± 4 PLC ± ± ANGLES ± FINISH ± 		PRODUCT SPEC	SIZE	CAGE CODE
MATERIAL		APPLICATION SPEC	A3	00779
		WEIGHT	DRAWING NO	RESTRICTED TO
		CUSTOMER DRAWING	C-2129116	
		SCALE	SHEET	REV
		FREE	5 of 5	C1

PCS/BOX	PCS/REEL	DIM R	DIM S	PART NUMBER
750	250	5.75	11.15	2-2129116-3
				2-2129116-2
900	300	4.4	9.8	2-2129116-1
750	250	5.75	11.15	2129116-3
				2129116-2
900	300	4.4	9.8	2129116-1