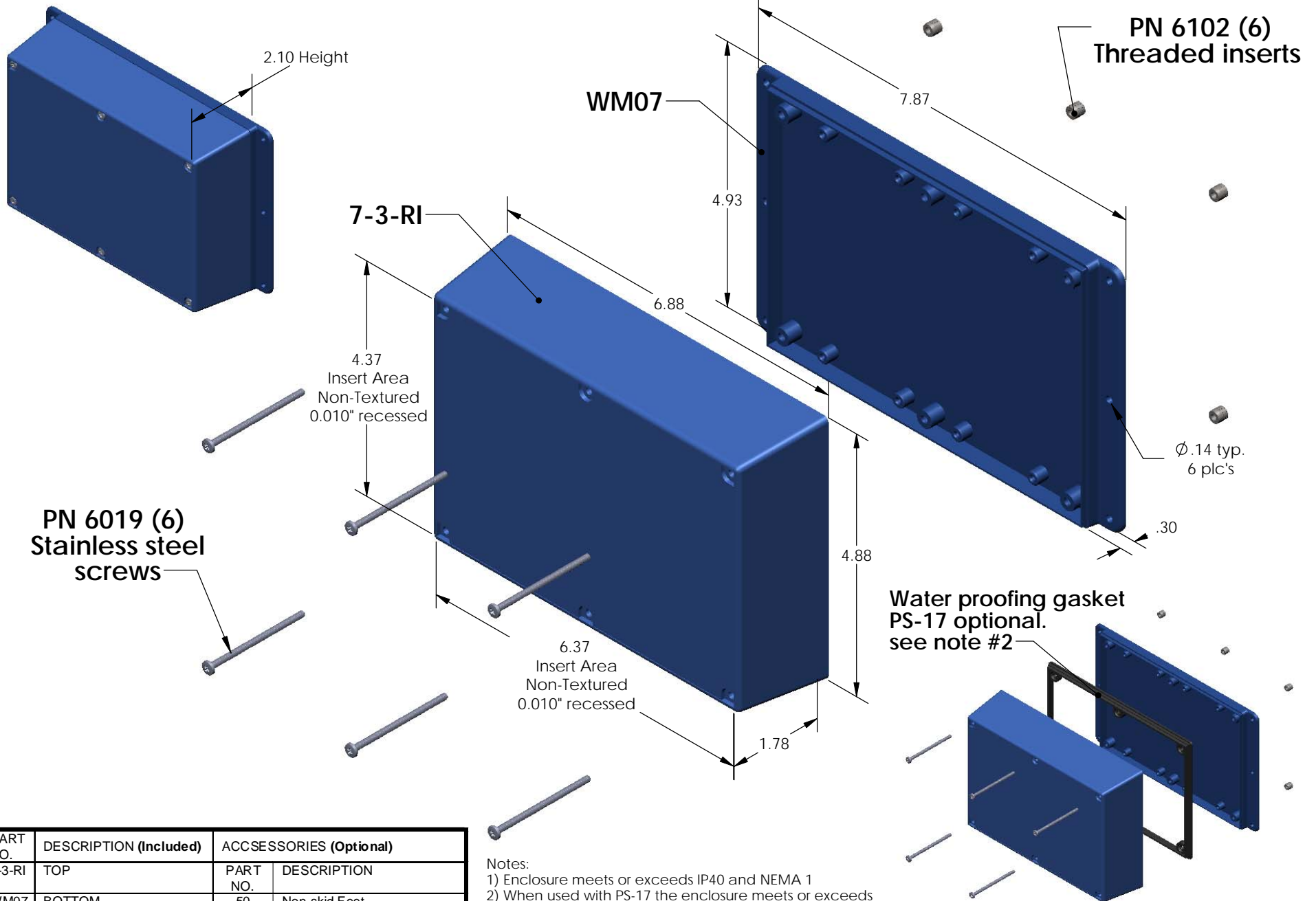


# WM073-RI (exploded isometric)



PART NO.	DESCRIPTION (Included)	ACCESSORIES (Optional)	
7-3-RI	TOP	PART NO.	DESCRIPTION
WM07	BOTTOM	50	Non-skid Feet
6019	4-40 SCREW (6)	PS-17	Perimeter Seal
6102	THREADED INSERTS (6)		

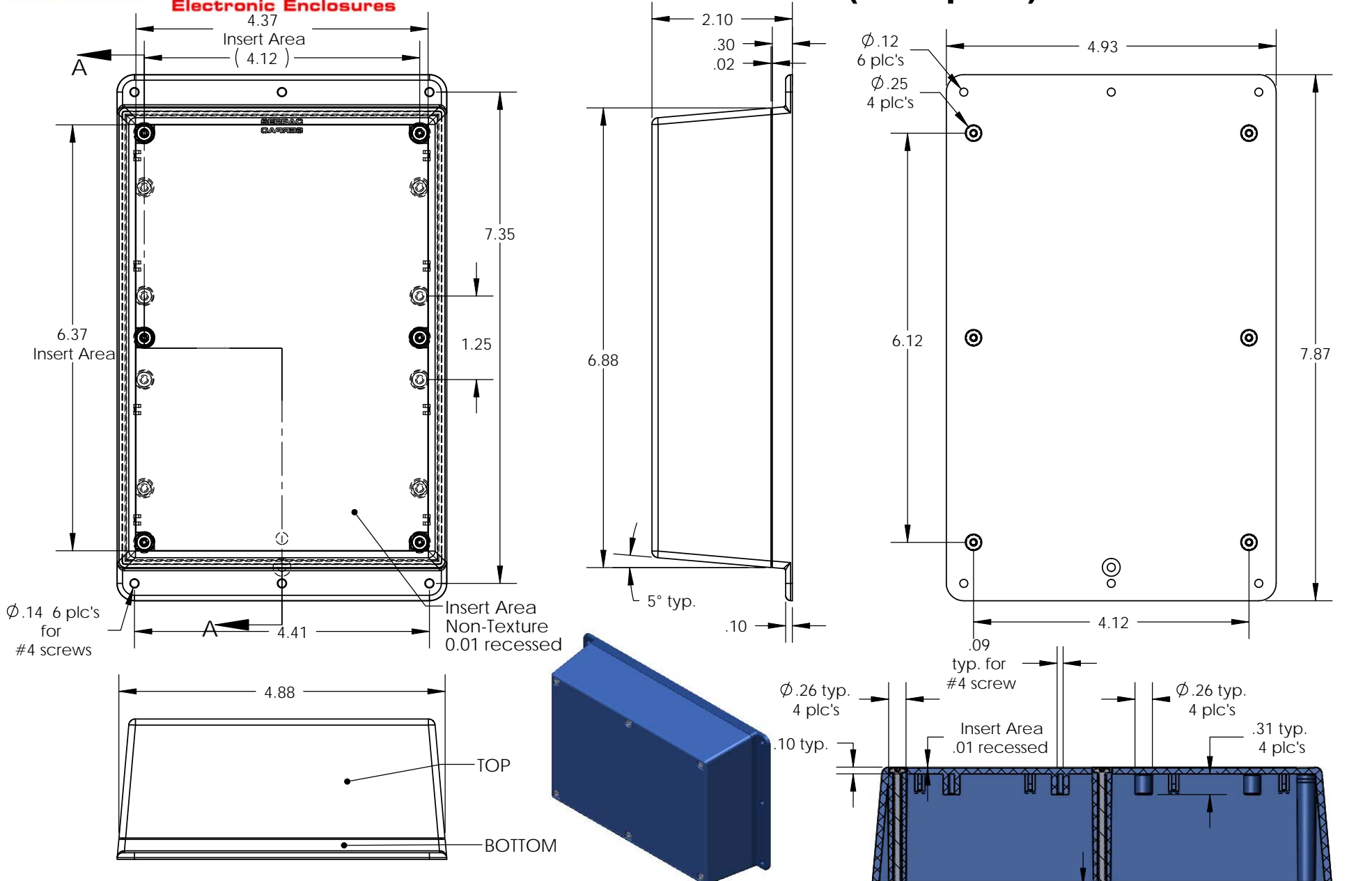
Notes:

- 1) Enclosure meets or exceeds IP40 and NEMA 1
- 2) When used with PS-17 the enclosure meets or exceeds IP 67 and NEMA 4X, 12 and 13 MIL-STD-810G 506.5
- 3) Circuit Board drawings can be download at:  
[http://www.serpac.com/Products/Sseries/x7x/drawings/X73\\_top-CB.pdf](http://www.serpac.com/Products/Sseries/x7x/drawings/X73_top-CB.pdf)
- 4) All components are RoHS Compliant.

Water proofing gasket PS-17 optional. see note #2

# SERPAC WM073-RI (user print)

Electronic Enclosures

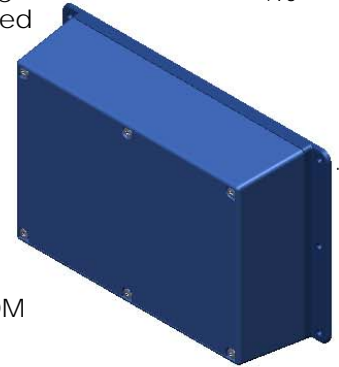


$\phi .14$  6 plc's for #4 screws

Insert Area Non-Texture 0.01 recessed

TOP

BOTTOM



PART NO.	DESCRIPTION (Included)	ACCESSORIES (Optional)	
7-3-RI	TOP	PART NO.	DESCRIPTION
WM07	BOTTOM	50	Non-skid Feet
6019	4-40 SCREW (6)	PS-17	Perimeter Seal
6102	THREADED INSERTS (6)		

- Notes:
- 1) Enclosure meets or exceeds IP40 and NEMA 1
  - 2) When used with PS-17 the enclosure meets or exceeds  $\phi .32$  tp. IP 67 and NEMA 4X, 12 and 13 MIL-STD-810G 506.5
  - 3) Circuit Board drawings can be download at: [http://www.serpac.com/Products/Sseries/x7x/drawings/X73\\_top-CB.pdf](http://www.serpac.com/Products/Sseries/x7x/drawings/X73_top-CB.pdf)
  - 4) All components are RoHS Compliant.

ALL DIMENSIONS ARE  $\pm .010"$  6/03/09 (2 of 2)  
 619 Commercial Ave. Covina, CA 91723  
 Ph. (626) 331-0517 Fx. (626) 331-8584 www.serpac.com