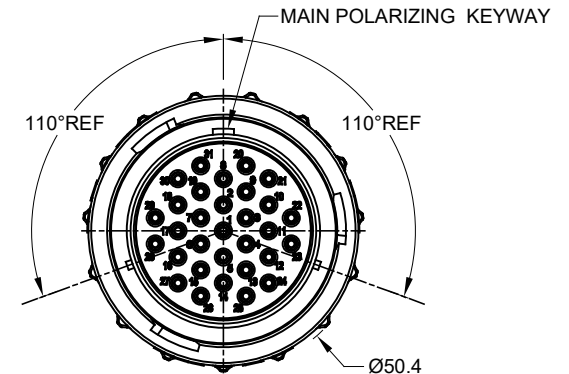
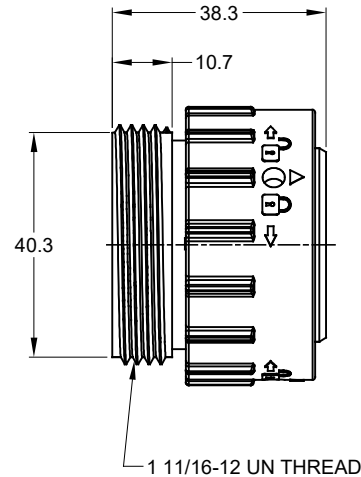
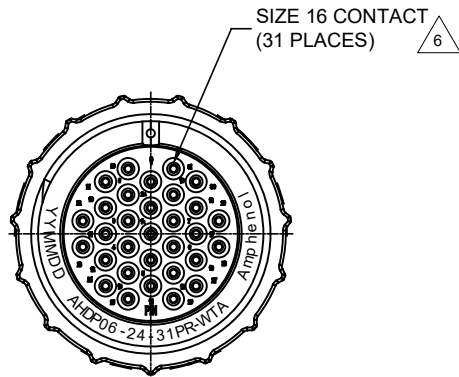


| REVISIONS |        |                       |         |        |       |
|-----------|--------|-----------------------|---------|--------|-------|
| REV       | ECO    | DESCRIPTION           | DATE    | BY     | APPR  |
| A1        |        | RELEASE NEW DRAWING   | 13NOV15 | SULLEN | TOMMY |
| A2        | C0765S | UPDATE SPECIFICATIONS | 23NOV17 | ROOKIE | TOMMY |

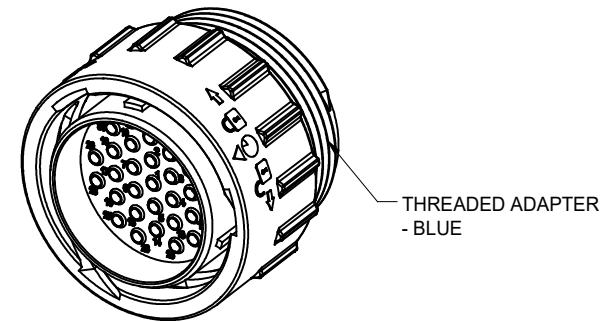


NOTES: UNLESS OTHERWISE SPECIFIED

1. MATERIAL:  
HOUSING: THERMOPLASTIC; BLACK  
SEAL: SILICONE RUBBER
2. MODIFICATIONS: THREADED ADAPTER;  
REDUCED DIA. WIRE SEAL
3. SPECIFICATIONS:
  - 3.1 OPERATING TEMPERATURE: -55°C TO +125°C.
  - 3.2 DIELECTRIC WITHSTANDING VOLTAGE: LESS THAN 2 MILLIAMPS CURRENT LEAKAGE @ 1500 VOLTS AC.
  - 3.3 INSULATION RESISTANCE: 1000 MEGOHM MIN @ 25°C.
  - 3.4 MOISTURE RESISTANCE: IP67&IP69K ( MATED CONDITION ).
  - 3.5 MATING CYCLE DURABILITY: 100 CYCLES
  - 3.6 RoHS COMPLIANT
4. MATING PART: AHDP04-24-31S\* (\* = SEAL TYPE)
5. ALL DIMENSIONS ARE FOR REFERENCE USE ONLY.

△ CONTACT SIZE AND WIRE RANGE:

| CONTACT SIZE | MIN. INSUL O.D.  | MAX. INSUL O.D.   | TYPICAL WIRE RANGE | CURRENT RATING |
|--------------|------------------|-------------------|--------------------|----------------|
| 16           | 1.35 mm (.053in) | 3.05 mm (.120 in) | 14-20 AWG          | 13 AMPS        |



| AHPD06-24-31PR-WTA   |                | DESCRIPTION  |      | ITEM   |
|--|----------------|--|------|--|
| QUANTITY   | MATERIALS LIST |  |      |  |
| UNLESS OTHERWISE SPECIFIED:<br>1) All dimensions are in metric(mm).<br>2) Tolerances are as follows:<br>1 PL DEC ±0.30<br>2 PL DEC ±0.15<br>3 PL DEC ±0.08<br>Fractions ±1/64<br>Angles ±1°<br>3) Note reference = △ |                | SIGNATURES   | DATE | <b>Amphenol</b><br>Sine Systems - www.amphenol-sine.com<br>44724 Morley Drive<br>Clinton Township, MI 48036<br>PLUG,24-31 POS, PIN CONTACT<br>REDUCED DIA. SEAL, AHDP SERIES   |
| DRAWN: ROOKIE  |                | 23NOV17  |      |  |
| CHECKED: ORION   |                | 23NOV17  |      |  |
| APPROVAL: TOMMY  |                | 23NOV17  |      |  |
| MATERIAL SPECIFICATIONS:   |                | CUSTOMER:  |      | THIS DRAWING IS SUPPLIED FOR INFORMATION ONLY. DESIGN FEATURES, SPECIFICATIONS AND PERFORMANCE DATA SHOWN HEREON ARE THE PROPERTY OF THE AMPHENOL CORPORATION. NO RIGHTS OF REPRODUCTION ARE IMPLIED. ALL DIMENSIONS ARE SUBJECT TO NORMAL MANUFACTURING VARIATIONS. |
| PROCESS SPECIFICATIONS:  |                | SIZE   |      |  |
| NEXT ASSY:   |                | SCALE  |      |  |
|  |                | TYPE: <b>BC-</b><br>DWG NO: <b>AHPD06-24-31PR-WTA</b><br>REVISION: <b>A2</b> |      | SHEET 1 OF 1   |

TITLE: REGER,24-31 POS, PIN CONTACT, REDUCED DIA. SEAL, AHDP  
 DWG NO: AHPD06-24-31PR-WTA  
 REV: A2  
 SH: 1  
 OF: 1