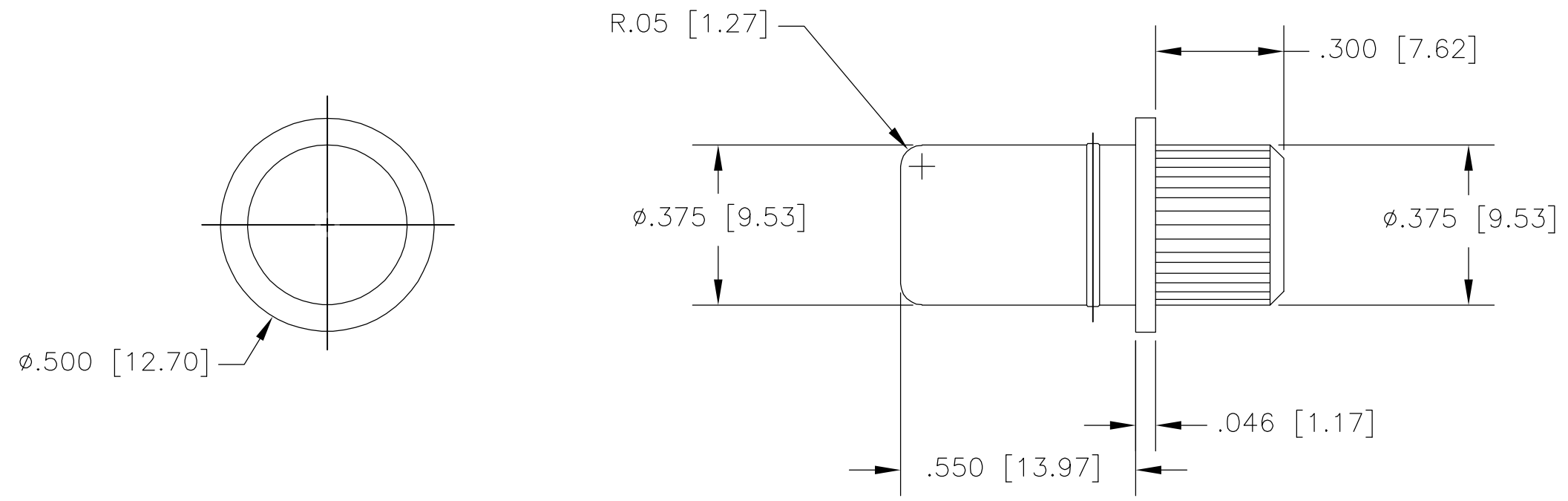


THIS DRAWING IS UNPUBLISHED. RELEASED FOR PUBLICATION  
 © COPYRIGHT - BY TYCO ELECTRONICS CORPORATION. ALL RIGHTS RESERVED.

LOC	DIST	REVISIONS					
GP	00	P	LTR	DESCRIPTION	DATE	DWN	APVD
			A	RELEASED	04MAY06	RG	SF



- PART NUMBER CHANGES AND/OR DESIGN CHANGES AFFECTING ITEM INTERCHANGEABILITY REQUIRE PRIOR ELCON APPROVAL AND AUTHORIZATION BY REVISION TO THIS DRAWING.
- ITEMS PROVIDED TO THIS SPECIFICATION SHALL BE IDENTIFIED ON THE CONTAINER WITH THE FOLLOWING INFORMATION: PART NUMBER & DATE CODE OF MANUFACTURE.

- 3 MATERIAL - COPPER ALLOY
- 4 FINISH - PIN CONTACT: SILVER PLATE .0002 MIN THK. OVER NICKEL .00004 MIN THK.

AS SHOWN	1766879-1
DESCRIPTION	PART NUMBER

THIS DRAWING IS A CONTROLLED DOCUMENT.		DWN	R.GRZYBOWSKI	04MAY2006	Tyco Electronics Corporation Harrisburg, PA 17105-3608								
DIMENSIONS: INCHES		CHK	S.FLICKINGER	04MAY06									
TOLERANCES UNLESS OTHERWISE SPECIFIED: 0 PLC ± - 1 PLC ± - 2 PLC ± .02 [.5] 3 PLC ± .010 [.25] 4 PLC ± - ANGLES ± .5		APVD	S.FLICKINGER	04MAY06	NAME								
		PRODUCT SPEC		PIN CONTACT, SIZE NO.2, SWAGE MOUNT									
MATERIAL		APPLICATION SPEC		LOCKING STYLE									
3		FINISH		PRESS FIT									
4		WEIGHT	-		SIZE	A3	CAGE CODE	00779	DRAWING NO	C-1766879	RESTRICTED TO	-	
ELCON CONTACTS					CUSTOMER DRAWING			SCALE	3:1	SHEET	1 OF 1	REV	A