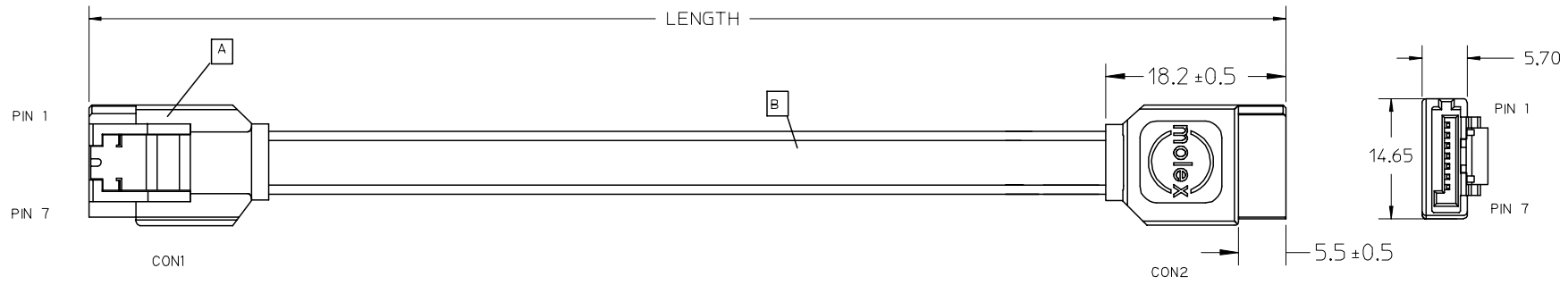
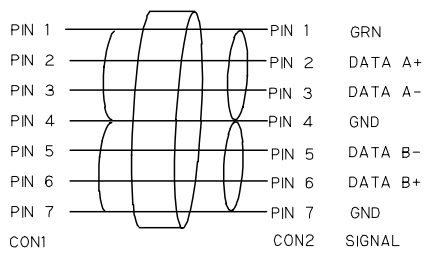


7 6 5 4 3 2 1



WIRE CHART



- NOTE:
1. OUTER MOLD WITH BLACK PVC RESIN 887800042.
 2. DIELECTRONIC STRENGTH:500V/0.01S DC
 3. INSULATION RESISTANCE:100M OHMS MIN.
 4. CONDUCTIVE RESISTOR: 2 OHMS

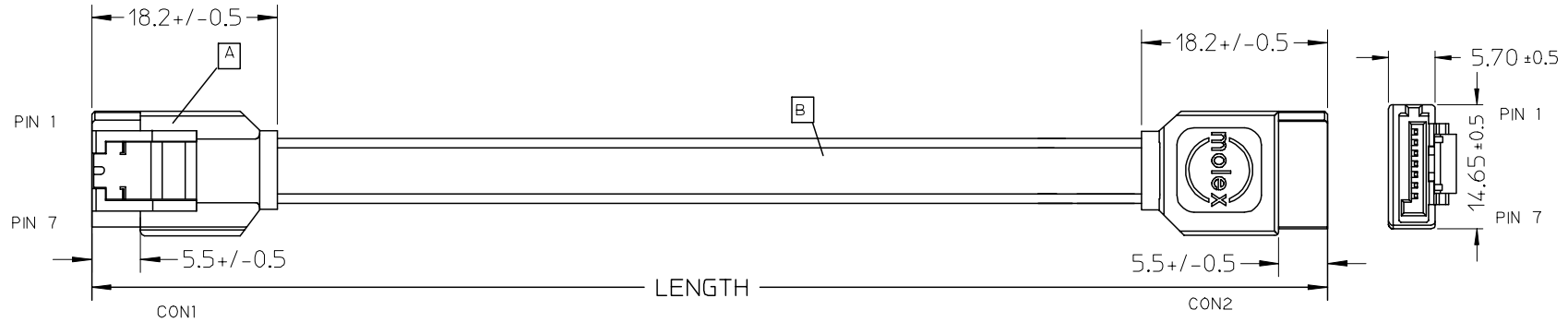
68561-0015	1000+/-20	40.0+/-0.8	S-ATA LATCHING ST TO ST CABLE,1.0M. RED
68561-0014	500+/-10	20.0+/-0.4	S-ATA LATCHING ST TO ST CABLE,0.5M. RED
MOLEX P/N	LENGTH (mm)	LENGTH (inch)	DESCRIPTION

B	S-ATA DATA CABLE RED 887808052	N/A	
A	S-ATA STRAIGHT RECEPTACLE WITH LATCH (Au 30u) 674899002		2
ITEM	DESCRIPTION	L(MM)	QTY.

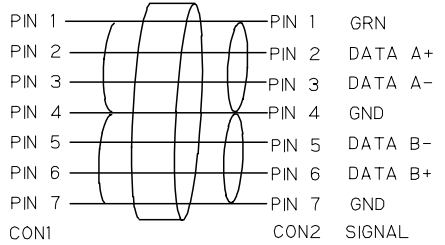
ENTER DESCRIPTION EC NO: DG2005-0009 DRWN:GX YANG 2004/08/11 CHKD: 2004/08/18 APPR:BOCHEN 2004/08/18 REV	QUALITY SYMBOLS ▽=0 ◻=0	GENERAL TOLERANCES (UNLESS SPECIFIED) <table border="1"> <tr> <td></td> <td>mm</td> <td>INCH</td> </tr> <tr> <td>4 PLACES</td> <td>±---</td> <td>±---</td> </tr> <tr> <td>3 PLACES</td> <td>±---</td> <td>±---</td> </tr> <tr> <td>2 PLACES</td> <td>±---</td> <td>±---</td> </tr> <tr> <td>1 PLACE</td> <td>±---</td> <td>±---</td> </tr> <tr> <td colspan="3">ANGULAR ±---°</td> </tr> </table>		mm	INCH	4 PLACES	±---	±---	3 PLACES	±---	±---	2 PLACES	±---	±---	1 PLACE	±---	±---	ANGULAR ±---°			DIMENSION STYLE MM ONLY DRAWN BY: GX YANG DATE: 04/08/10 CHECKED BY: TEDDY DATE: 04/08/10 APPROVED BY: BORON DATE: 04/08/10 MATERIAL NO.: 685610014/5	SCALE: --- DESIGN UNITS: METRIC THIRD ANGLE PROJECTION	TITLE: S-ATA ST LATCHING TO ST LATCHING SIGNAL CBL RED,0.5M,1.0M MOLEX INCORPORATED DOCUMENT NO.: SD-68561-001 SHEET NO.: 1 OF 1
		mm	INCH																				
	4 PLACES	±---	±---																				
	3 PLACES	±---	±---																				
2 PLACES	±---	±---																					
1 PLACE	±---	±---																					
ANGULAR ±---°																							
DRAFT WHERE APPLICABLE MUST REMAIN WITHIN DIMENSIONS		SIZE: A/4 THIS DRAWING CONTAINS INFORMATION THAT IS PROPRIETARY TO MOLEX INCORPORATED AND SHOULD NOT BE USED WITHOUT WRITTEN PERMISSION																					

6 5 4 3 2 1

7 6 5 4 3 2 1



WIRE CHART



NOTE:
 1. OUTER MOLD WITH BLACK PVC RESIN 887800042.
 INNER MOLD WITH PE RESIN 887800008:
 ELECTRICAL PERFORMANCE:
 2. DIELECTRONIC STRENGTH:500V/0.01S DC.
 3. INSULATION RESISTANCE:100M OHMS MIN.
 4. CONDUCTIVE RESISTOR: 2 OHMS.

68561-0015	1000+/-20	40.0+/-0.8	S-ATA LATCHING ST TO ST CABLE,1.0M, RED
68561-0014	500+/-10	20.0+/-0.4	S-ATA LATCHING ST TO ST CABLE,0.5M, RED
MOLEX P/N	LENGTH (mm)	LENGTH (inch)	DESCRIPTION

B	S-ATA DATA CABLE RED 887808052	
A	S-ATA STRAIGHT RECEPTACLE WITH LATCH (Au 30u) 674899002	2
ITEM	DESCRIPTION	QTY.

ENTER DESCRIPTION EC NO: DG2005-0125 DRWN: JLIU13 2005/04/04 CHKD: TEDDY 2005/04/04 APPR: TKAN 2005/04/04	QUALITY SYMBOLS ▽=0 □=0	GENERAL TOLERANCES (UNLESS SPECIFIED)		DIMENSION STYLE	SCALE	DESIGN UNITS	THIRD ANGLE PROJECTION	
			mm	INCH	MM ONLY	---	METRIC	
		4 PLACES	±---	±---	DRAWN BY	DATE	TITLE S-ATA ST TO ST WITH LATCH RED CABLE ASSY	
		3 PLACES	±---	±---	JLIU13	2005/04/04		
2 PLACES	±---	±---	CHECKED BY	DATE	MATERIAL NO. 685610015		DOCUMENT NO. SD-68561-0015	
1 PLACE	±---	±---	TEDDY	2005/04/04				
ANGULAR ±---°		DRAFT WHERE APPLICABLE MUST REMAIN WITHIN DIMENSIONS		APPROVED BY	DATE	SHEET NO. 1 OF 1		
				BORON	2005/04/04	MATERIAL NO. 685610015		
				THIS DRAWING CONTAINS INFORMATION THAT IS PROPRIETARY TO MOLEX INCORPORATED AND SHOULD NOT BE USED WITHOUT WRITTEN PERMISSION				

6 5 4 3 2 1