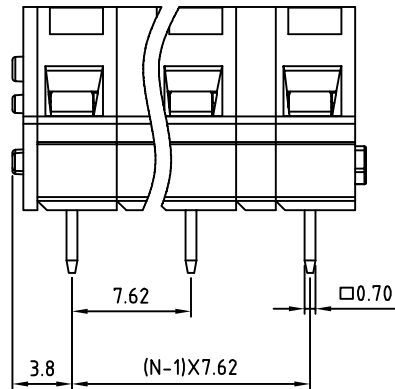
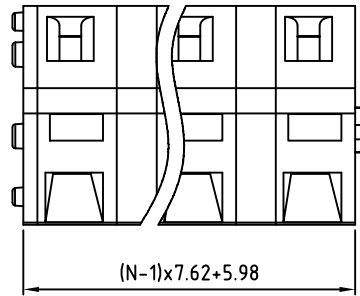
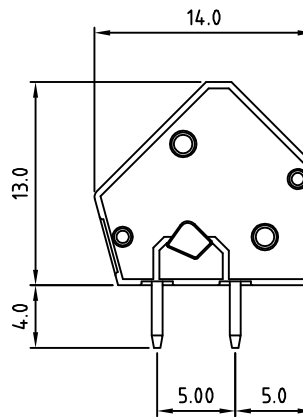


SIGN	DATE	DESCRIPTION	APPROVER

THIS IS CAD DRAWING, DO NOT REVISE MANUALLY!!!



N=Number of contacts



Material

- Terminal body (Contact pin): Brass
- Wire guard: Stainless steel
- Surface of solder tail: Tin plated
- Insulator (housing): Thermoplastic (UL94V-0)

Electrical

- Voltage rating: 300VAC
- Current rating: 15A
- Wire range:
 - Solid wire(AWG): 12-28
 - Stranded wire(AWG): 12-28
- Wire strip length: 6-7mm
- Withstanding Voltage: 1.6KV
- Operating temperature: -30°C to +105°C
- Soldering temperature: 250°C±10°C/5 Sec
- Safety approval: (CSA/UL) Pending

RoHS Compliant

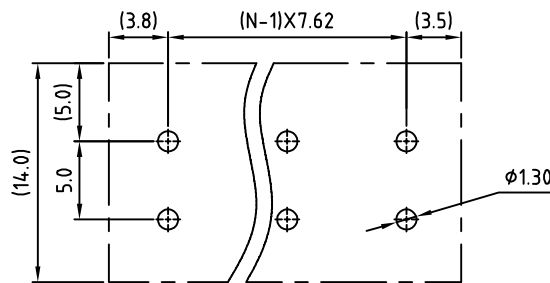
PART NUMBER:

OSTHGXX5080

- 01 1 Contact(basic block)
- 02 2 contacts
- etc. available in 1-24 contacts

COLOR:

- 0: Black
- 5: Green
- 6: Blue
- 8: Grey (Standard)



RECOMMENDED PCB. LAYOUT

THESE DRAWINGS AND SPECIFICATIONS ARE THE PROPERTY OF ON-SHORE TECHNOLOGY, INC. AND SHALL NOT BE REPRODUCED, COPIED OR USED IN ANY MANNER WITHOUT THE PRIOR WRITTEN CONSENT OF ON-SHORE TECHNOLOGY, INC.



TITLE		OSTHG 7.62mm Series				
PART NO.	OSTHGXX5080	DWG NO.	OSTHGXX5080.DWG			
APPROVED	CHECKED	DESIGNED	DRAWN	CUST NO.	Tolerance	
Shi jun 2006.11.01	Marvin 2006.11.01	Marvin 2006.11.01	Marvin 2006.11.01		X. ±0.50 X.X ±0.30 X.XX ±0.10 X° ±1°	
				UNIT: mm		
				SCALE: NONE		
				REV: D		
				SHEET: 01/01		