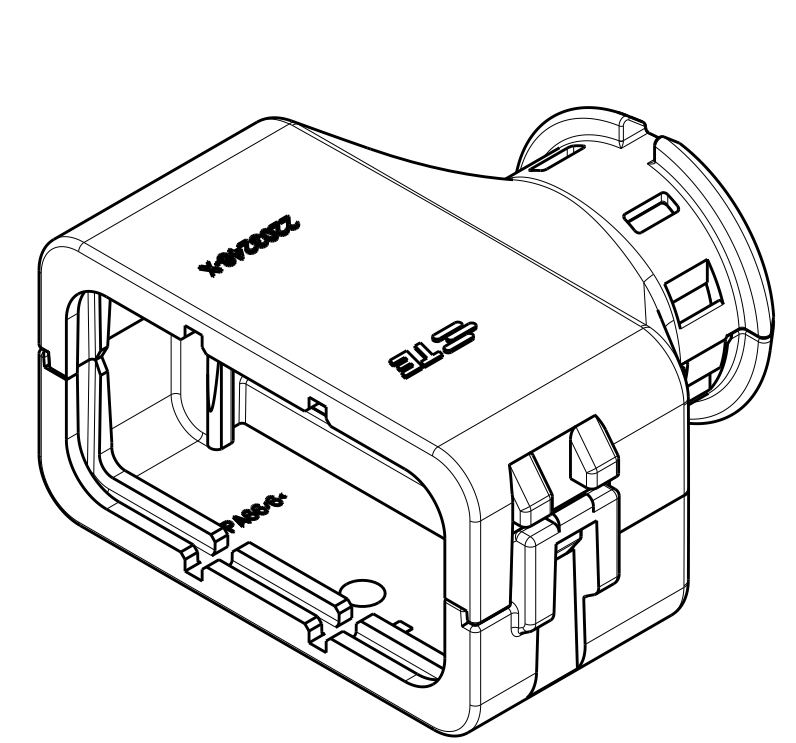
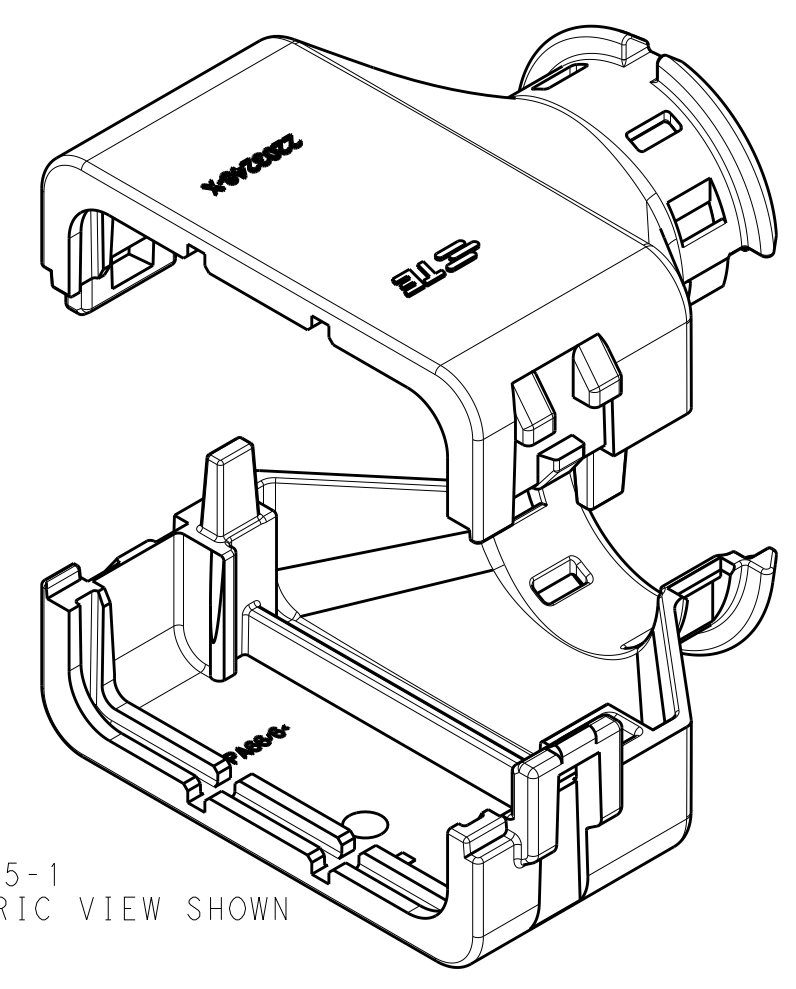


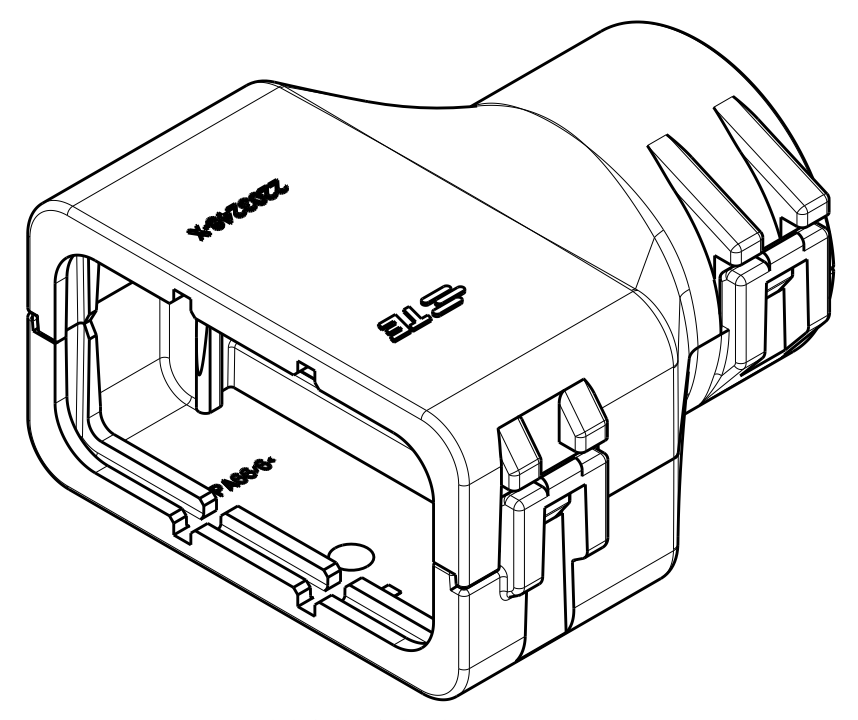
REVISIONS					
P.	LTN	DESCRIPTION	DATE	DWN	APVD
A		RELEASED PER ECO-15-010501	17JUL2015	JM	RB
A1		REV PER ECO-16-008350	02JUN2016	JM	RB
A2		REV PER ECO-16-013256	08SEP2016	JM	RB



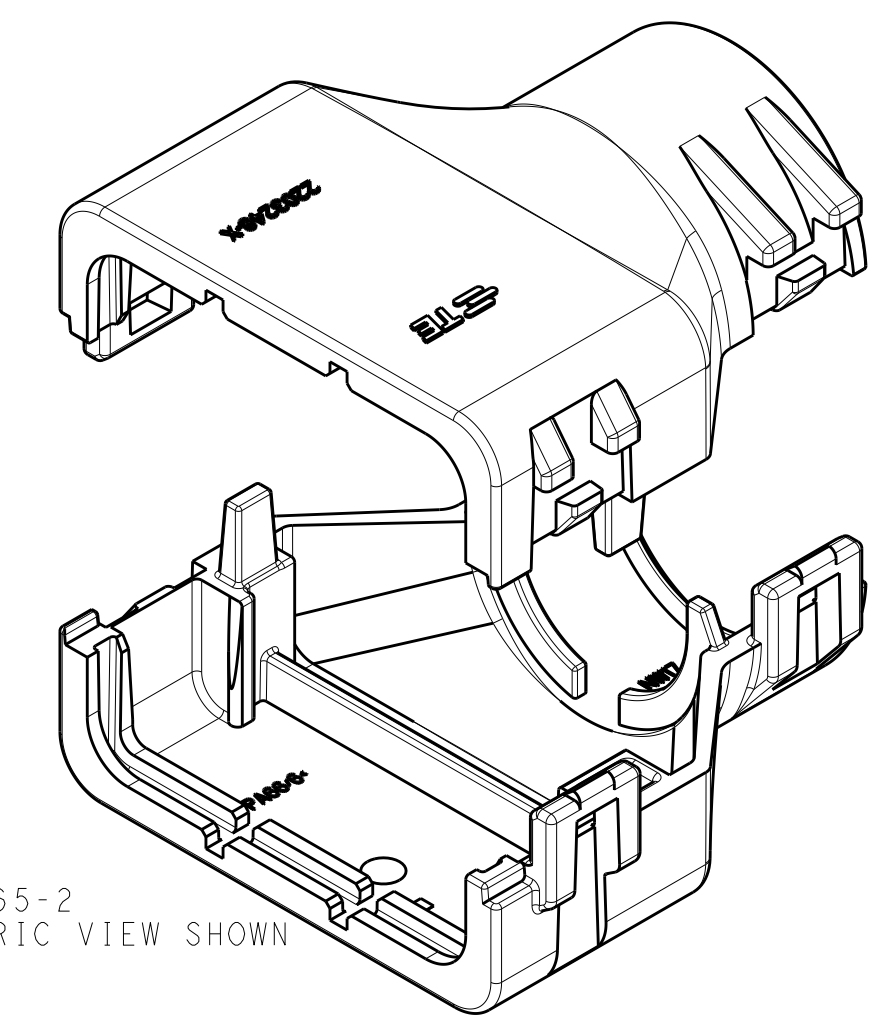
2292865-1
ASSEMBLED ISOMETRIC VIEW SHOWN



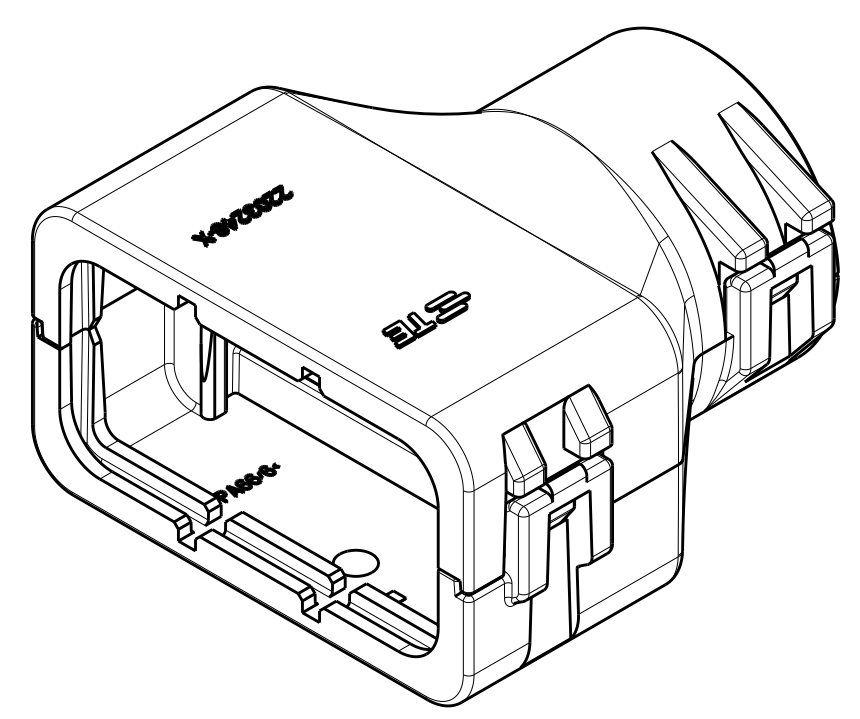
2292865-1
EXPLODED ISOMETRIC VIEW SHOWN



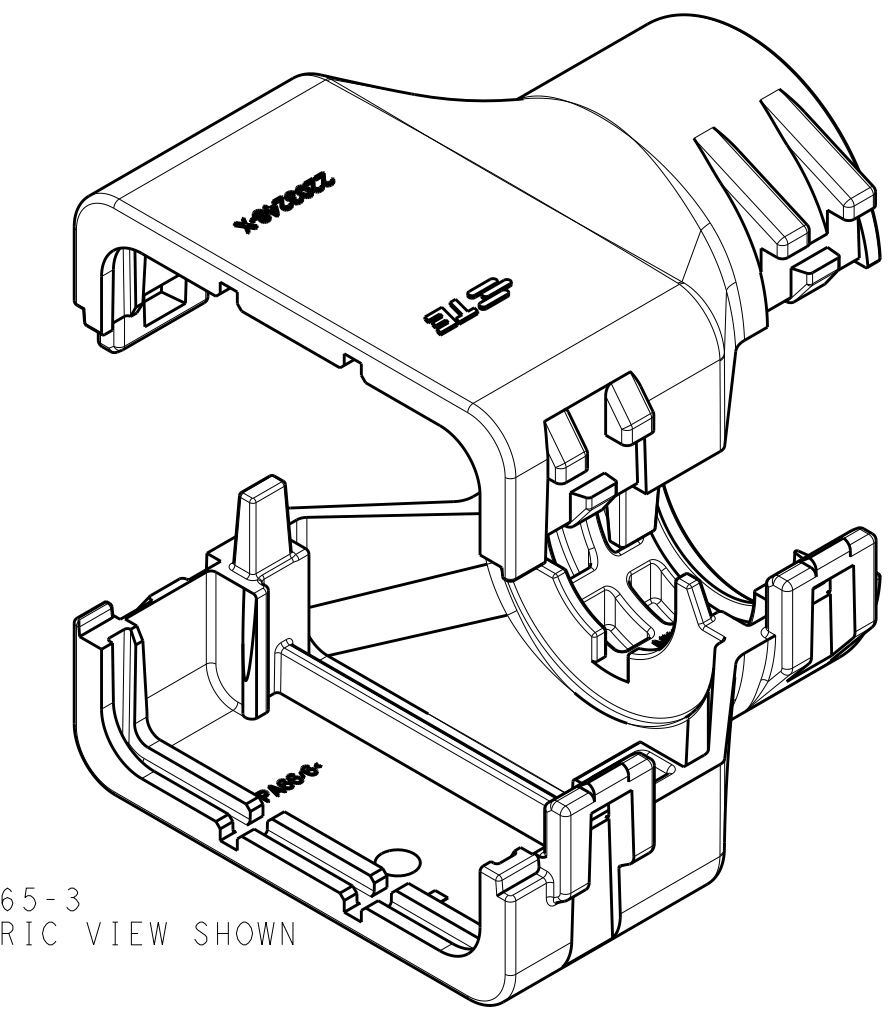
2292865-2
ASSEMBLED ISOMETRIC VIEW SHOWN



2292865-2
EXPLODED ISOMETRIC VIEW SHOWN

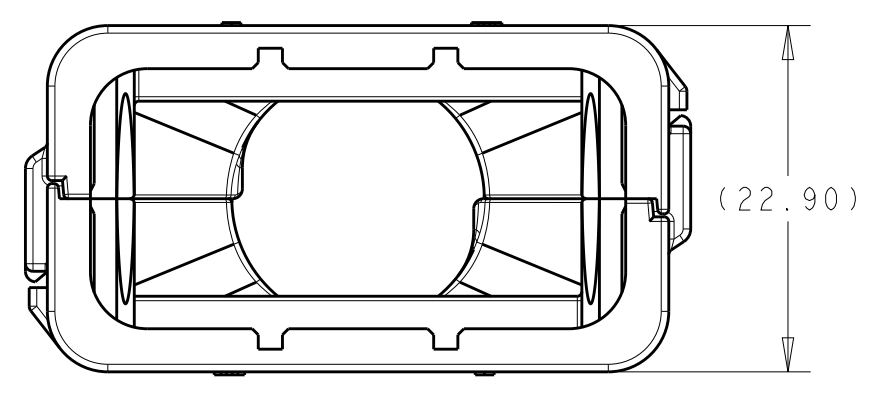
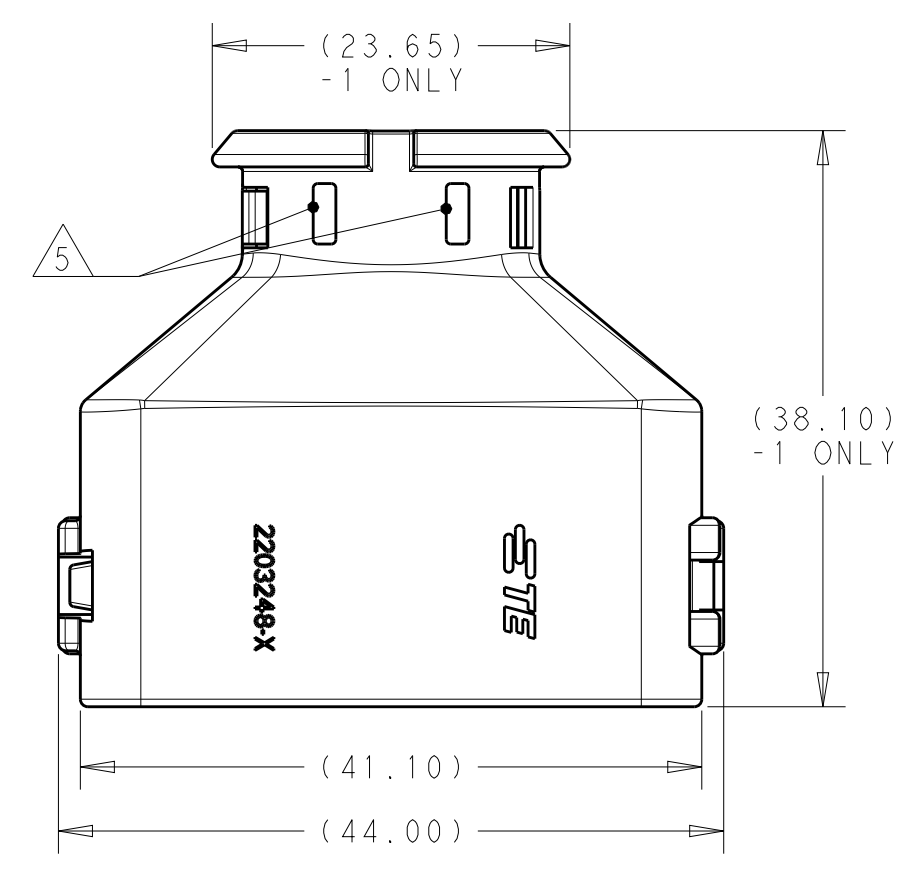


2292865-3
ASSEMBLED ISOMETRIC VIEW SHOWN



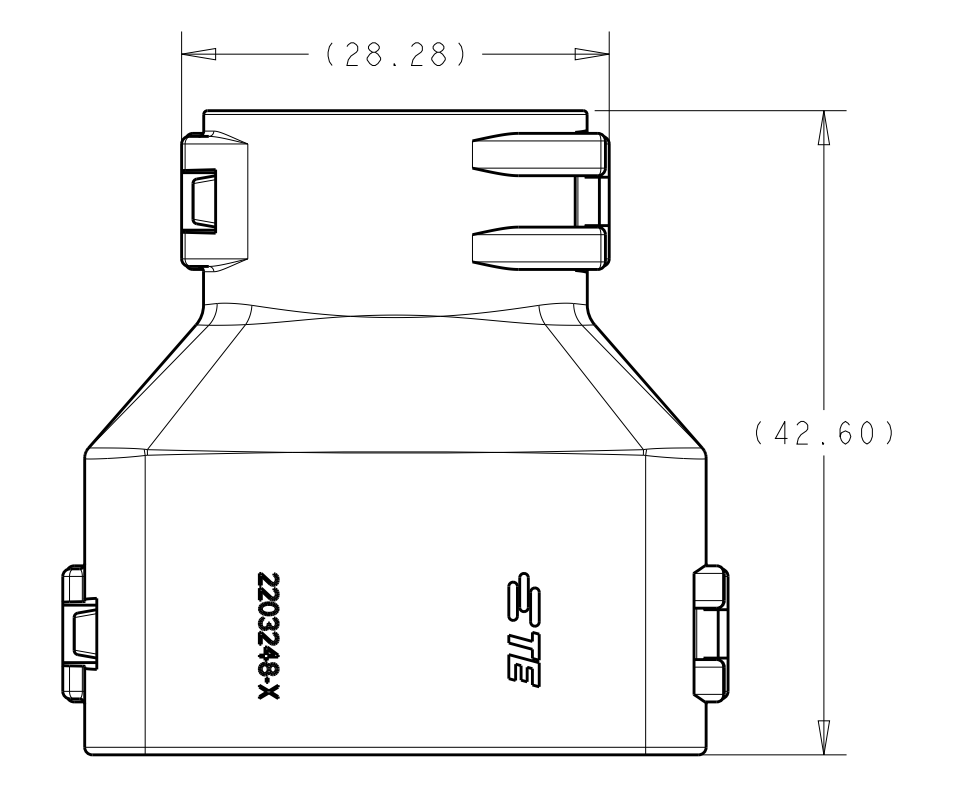
2292865-3
EXPLODED ISOMETRIC VIEW SHOWN

- 1 MATERIAL: NYLON MOLDING COMPOUND, BLACK, PA66/6.
- 2 BACKSHELL DESIGNED SUCH THAT TWO HALVES ATTACH TO ONE ANOTHER AND CLAMP AROUND THE CONNECTOR COVER.
- 3 DIMENSIONS TO BE MEASURED WHEN BACKSHELLS ASSEMBLED.
- 4 PRODUCT WEIGHTS:
2292865-1: 7.56g ASSEMBLED
2292865-2: 9.40g ASSEMBLED
2292865-3: 10.72g ASSEMBLED
- 5 4mm WIDE SLOTS FOR TIE WRAP TO SECURE HARNESS WIRES (-1 ONLY).
- 6 HEAT SHRINK TUBING RETENTION FEATURE (-1 ONLY).
- 7. INSTRUCTION SHEET: 408-151043.
- 8. CONDUIT PROFILE: NORMAL ONLY.



2292865-1
ASSEMBLED VIEW SHOWN

DIMENSIONS SHOWN TYPICAL FOR ALL PART NUMBERS EXCEPT AS NOTED



2292865-2
ASSEMBLED VIEW SHOWN

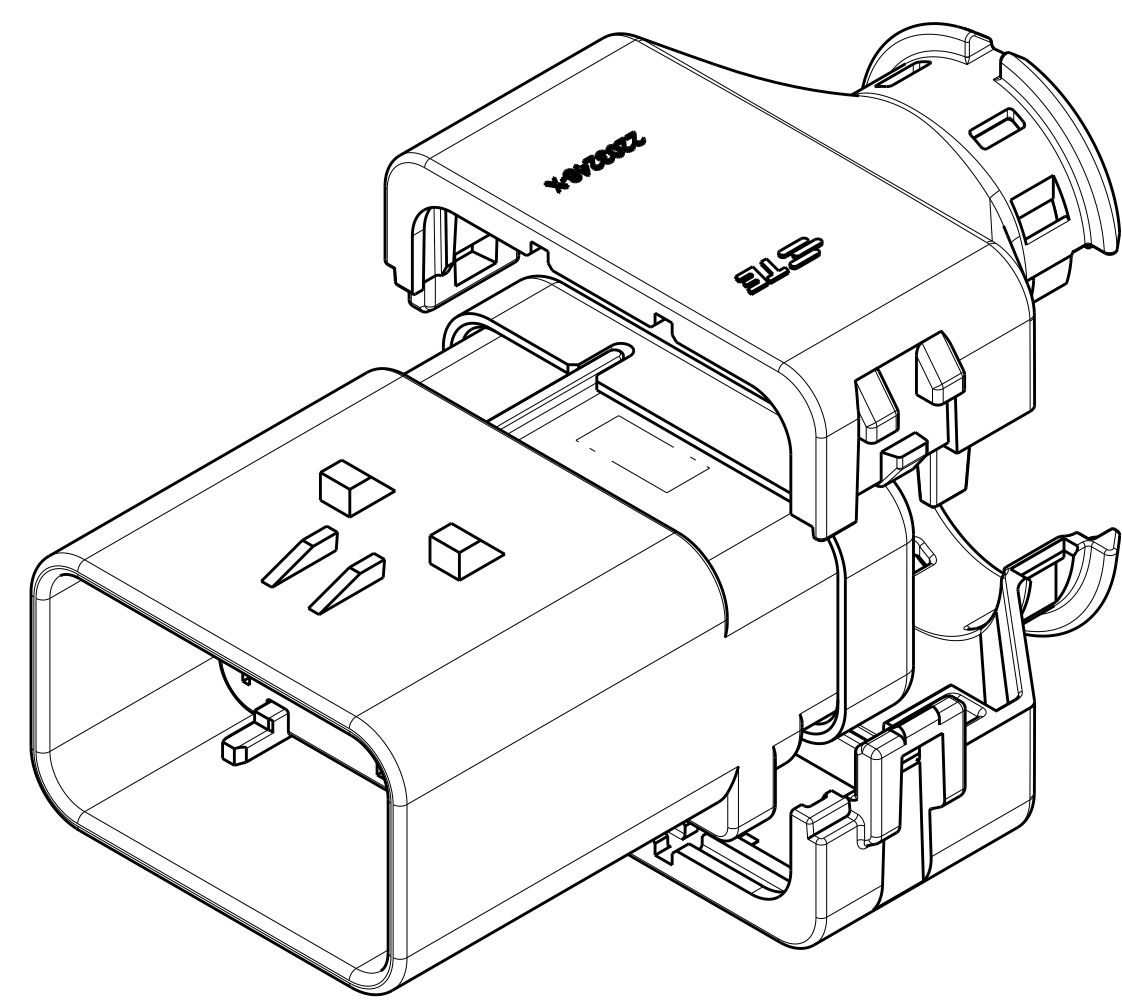
DIMENSIONS SHOWN TYPICAL FOR -2 AND -3 ONLY


776438-X	NC16	NW13	2292865-3
776539-X	NC20	NW17	2292865-2
	SMOOTH	SMOOTH	2292865-1
FITS ON CAP ASSY	CORREGATE NC	CORREGATE NW	PART NUMBER
	CONDUIT SIZE		

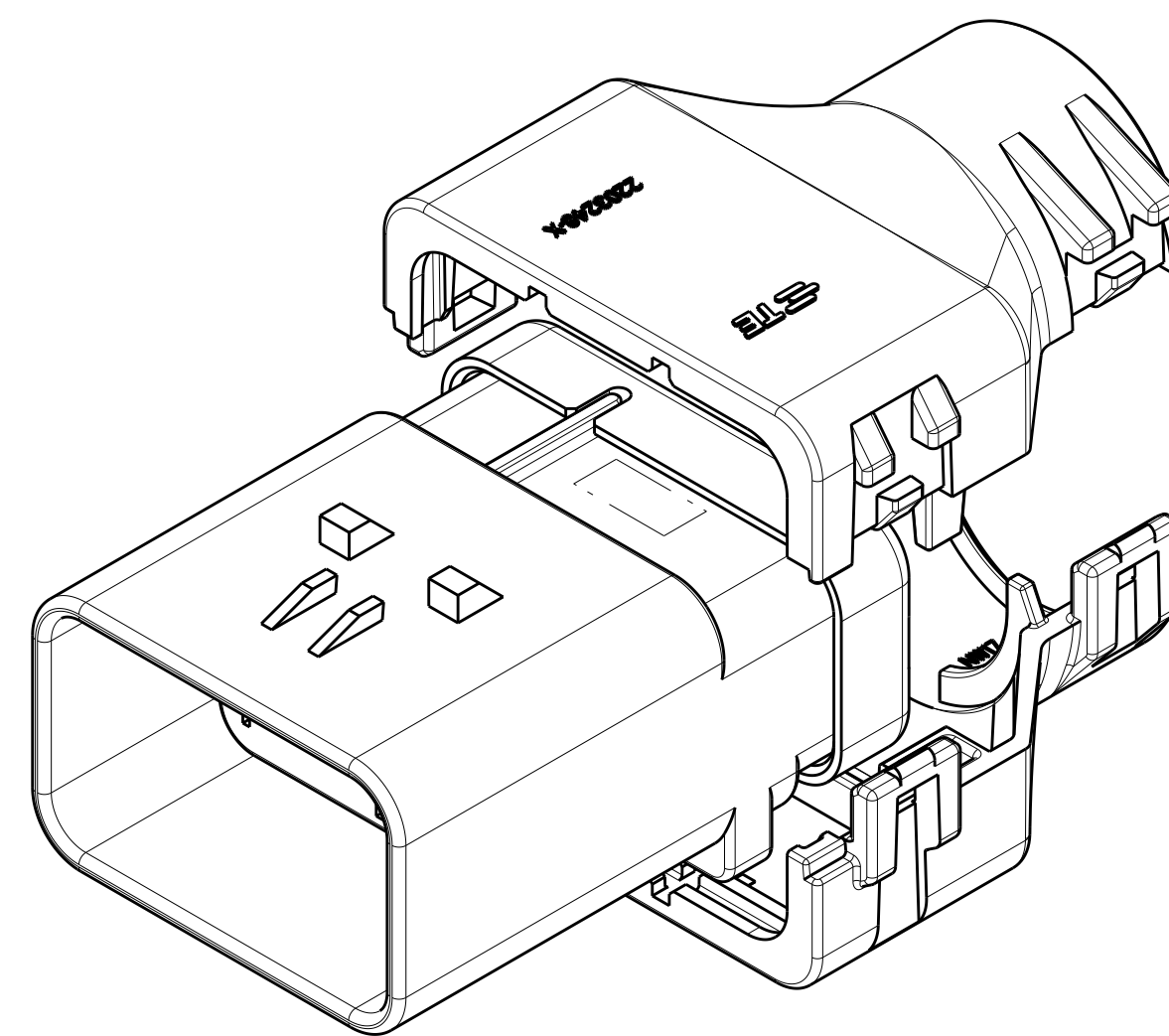
THIS DRAWING IS A CONTROLLED DOCUMENT.		DWN: J. MCNEAL 22JUN2015	TE Connectivity	
DIMENSIONS: mm [INCHES]		CHK: R. BALTER 22JUN2015		
TOLERANCES UNLESS OTHERWISE SPECIFIED:		APVD: R. BALTER 22JUN2015	NAME: BACKSHELL KIT, 12 POSITION, CAP ASSY AMPSEAL 16	
0 PLC	±	PRODUCT SPEC	108-151043	
1 PLC	±	APPLICATION SPEC	SIZE: CAGE CODE: DRAWING NO: RESTRICTED TO	
2 PLC	±		A100779C=2292865	
3 PLC	±		SCALE: 2:1 SHEET 1 OF 2 REV: A2	
4 PLC	±			
ANGLES	±			
MATERIAL		WEIGHT: 4	CUSTOMER DRAWING	
FINISH				


THIS DRAWING IS UNPUBLISHED. RELEASED FOR PUBLICATION 20
 © COPYRIGHT 20 BY - ALL RIGHTS RESERVED.

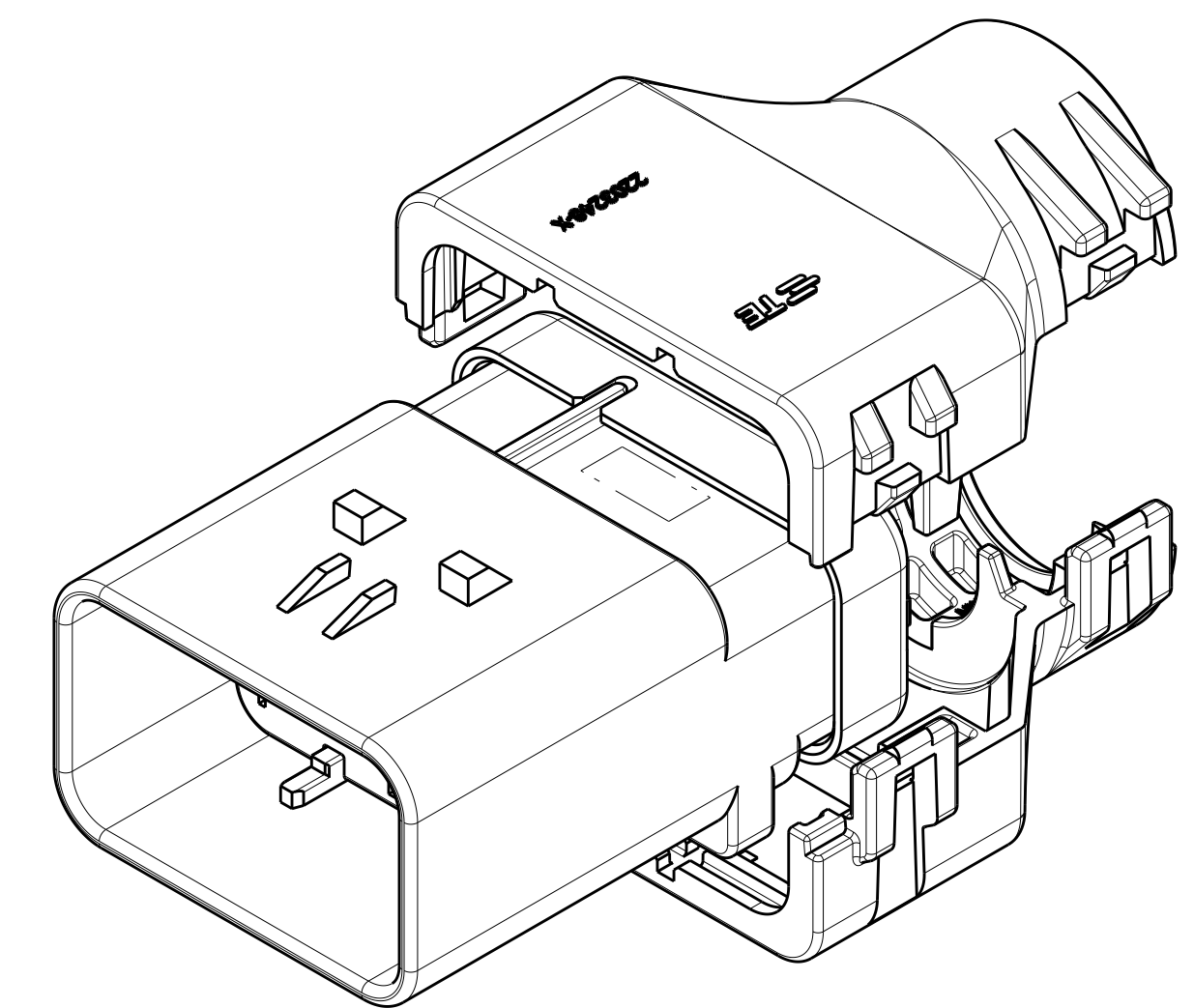
REVISIONS				
P.	LTN	DESCRIPTION	DATE	APVD
-		SEE SHEET 1	-	-





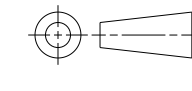
2292865-1
 WITH CAP ASSEMBLY 
 EXPLODED ISOMETRIC VIEW SHOWN



2292865-2
 WITH CAP ASSEMBLY 
 EXPLODED ISOMETRIC VIEW SHOWN



2292865-3
 WITH CAP ASSEMBLY 
 EXPLODED ISOMETRIC VIEW SHOWN

THIS DRAWING IS A CONTROLLED DOCUMENT.		DWN J MCNEAL 22JUN2015 CHK R BALTER 22JUN2015 APVD R BALTER 22JUN2015	 TE Connectivity	
DIMENSIONS: mm [INCHES]	TOLERANCES UNLESS OTHERWISE SPECIFIED:	NAME BACKSHELL KIT, 12 POSITION, CAP ASSY AMPSEAL 16	PRODUCT SPEC 108-151043	APPLICATION SPEC
	0 PLC ± 1 PLC ± 2 PLC ± 3 PLC ± 4 PLC ± ANGLES ±	SIZE CAGE CODE DRAWING NO A100779 C=2292865	RESTRICTED TO	WEIGHT
MATERIAL	FINISH	CUSTOMER DRAWING	SCALE 2:1	SHEET 2 OF 2 REV A2