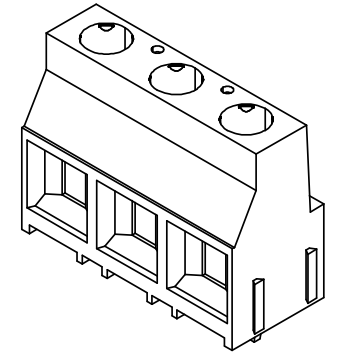
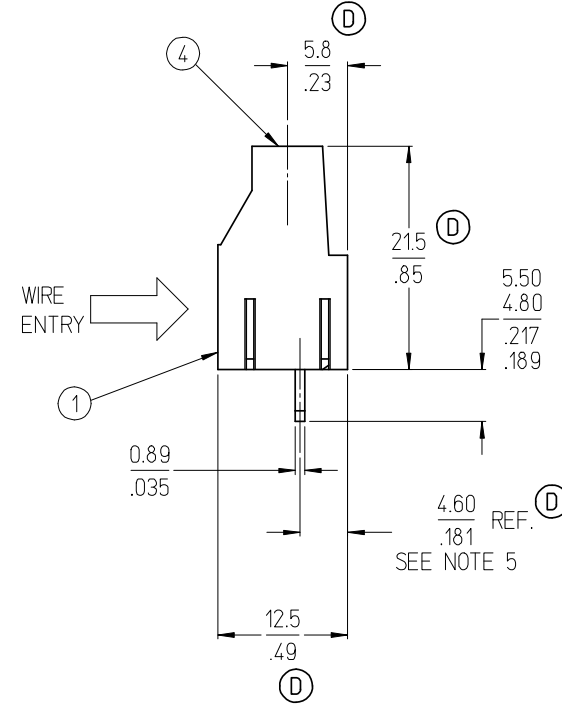
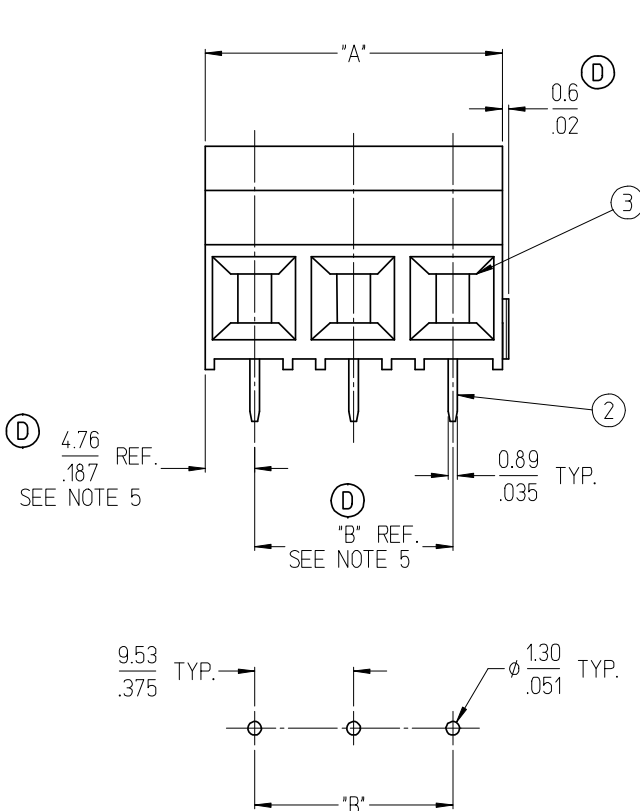


MATERIAL NO.	NUMBER OF CIRCUITS "XX"	DIM. "A"	DIM. "B"
393900102	02	19.1 / .75	9.53 / .375
393900103	03	28.6 / 1.13	19.05 / .750

(D)



NOTES:

1. MATERIAL: SEE TABLE
2. FINISHES: SEE TABLE
3. 3 CIRCUIT SHOWN.
4. ASSEMBLY IS ROHS COMPLIANT.
5. DIMENSION SHOWN IS REFERENCE.
PINS ARE DESIGNED TO MOVE SLIGHTLY TO ALLOW FOR FIT INTO THE PC BOARD.

(D)
(D)

ITEM	QTY.	DESCRIPTION	MATERIAL	FINISH
4	XX	SCREW	COPPER	NICKEL
3	XX	CAGE CLAMP	COPPER	NICKEL
2	XX	TERMINAL	COPPER	TIN
1	1	INSULATOR	POLYAMIDE	BLACK

REVISE DIMENSIONS
 EC NO: WNA2008-0046
 DRAWN: CLYORK 2008/06/17
 CHKD: RDEROSS 2008/06/25
 APPR: RDEROSS 2008/06/26

QUALITY SYMBOLS
 ▽=0
 ▽=0

GENERAL TOLERANCES (UNLESS SPECIFIED)

	mm	INCH
4 PLACES	±---	±---
3 PLACES	±---	±.005
2 PLACES	±0.13	±.01
1 PLACE	±0.3	±---

ANGULAR ± 2 °

DRAFT WHERE APPLICABLE
 MUST REMAIN WITHIN DIMENSIONS

DIMENSION STYLE
 IN/MM

SCALE
 2:1

DESIGN UNITS
 INCH

THIRD ANGLE PROJECTION

DRAWN BY: R. KEMP
 DATE: 2003/07/01

CHECKED BY: R. STONE
 DATE: 2003/07/01

APPROVED BY: P. WALTZ
 DATE: 2003/07/01

MATERIAL NO.
 SEE CHART

TITLE
 9.53/.375 FIXED TERMINAL BLOCK ASSEMBLY

MOLEX INCORPORATED

DOCUMENT NO.
 SD-39390-001

SHEET NO.
 1 OF 1

THIS DRAWING CONTAINS INFORMATION THAT IS PROPRIETARY TO MOLEX INCORPORATED AND SHOULD NOT BE USED WITHOUT WRITTEN PERMISSION