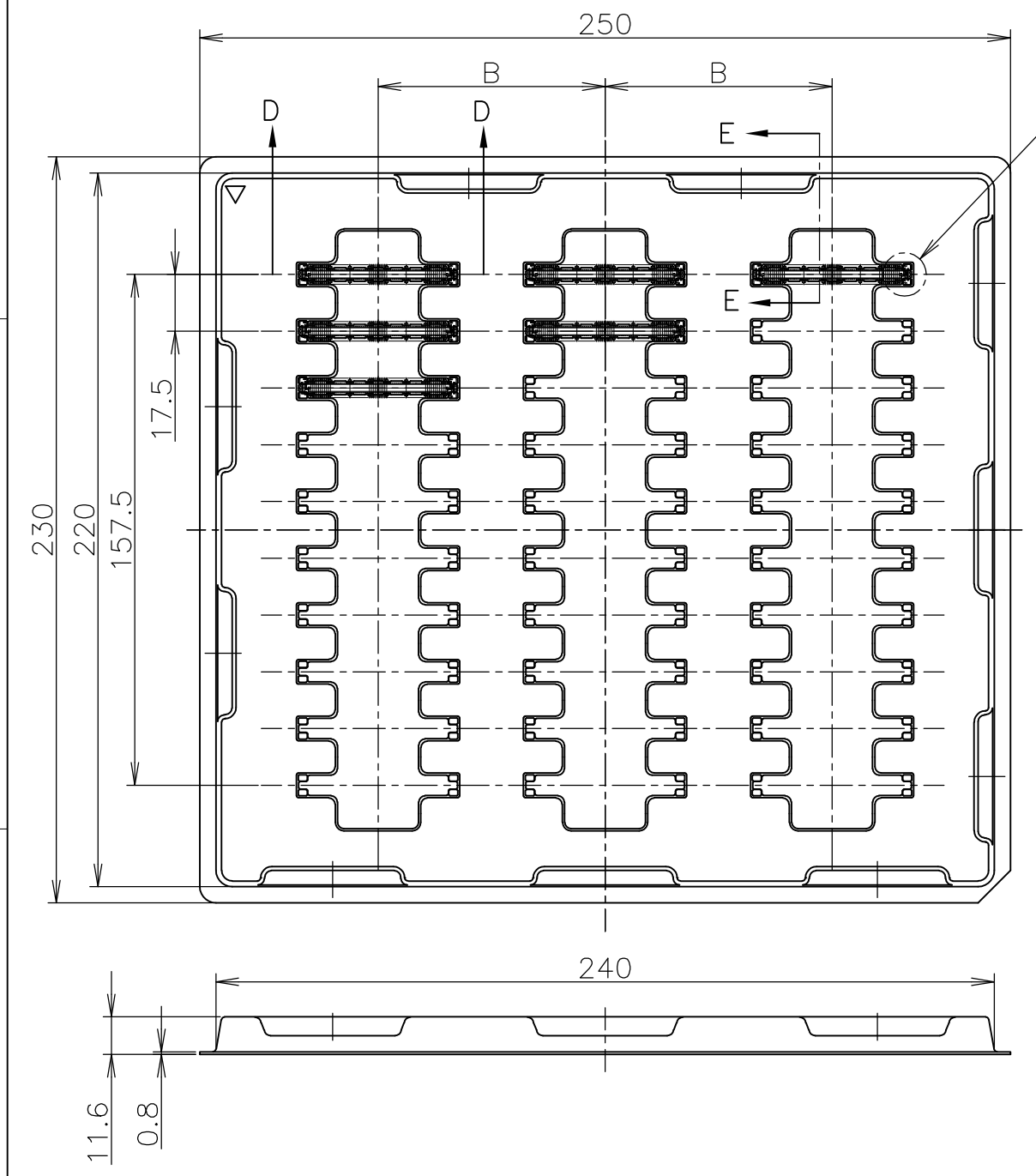


THIS DRAWING IS UNPUBLISHED. RELEASED FOR PUBLICATION MAY, 1995.
 © COPYRIGHT 1995 BY TYCO ELECTRONICS CORPORATION. ALL RIGHTS RESERVED.

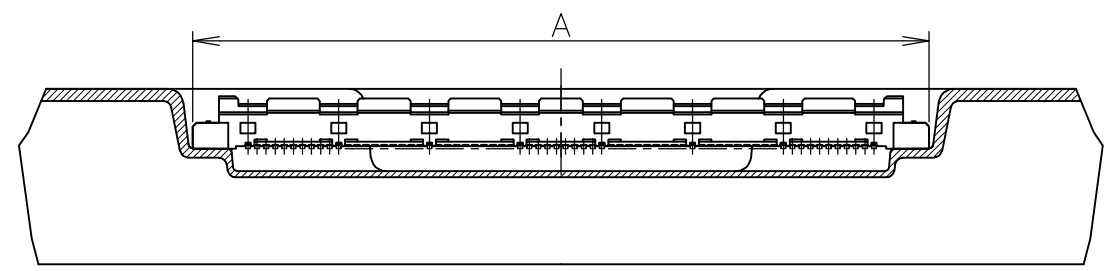
LOC	DIST	REVISIONS					
J		P	LTR	DESCRIPTION	DATE	DWN	APVD
		A	REVISED	ECR-08-000339	01FEB08	T.T	T.F

AS SHOWN: TYPE-1

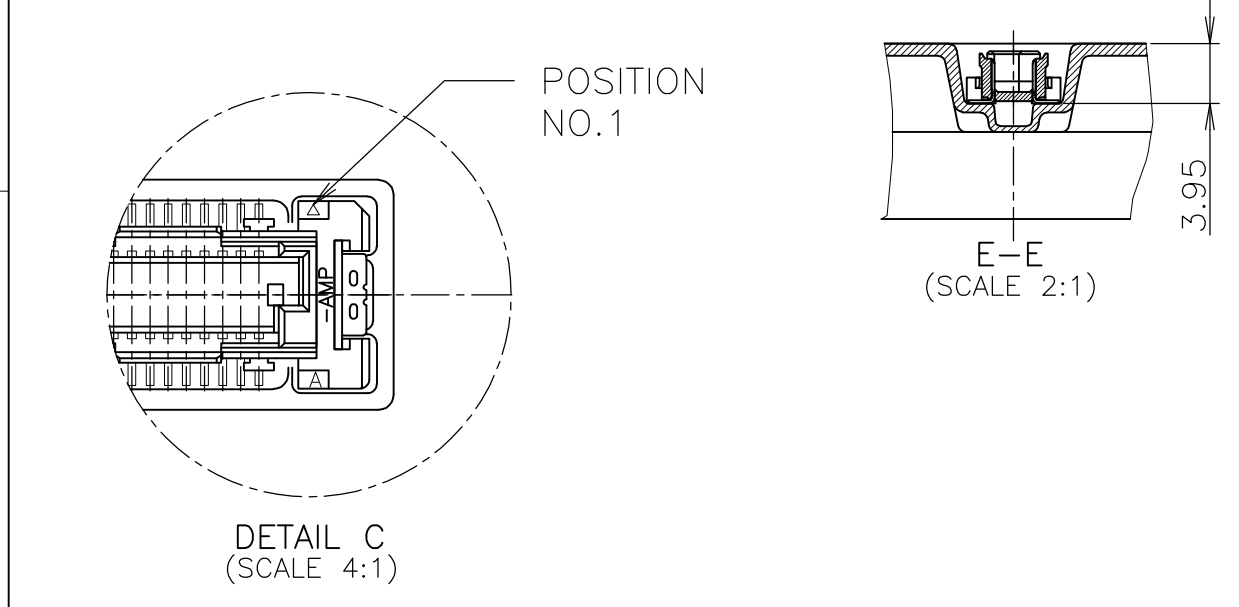
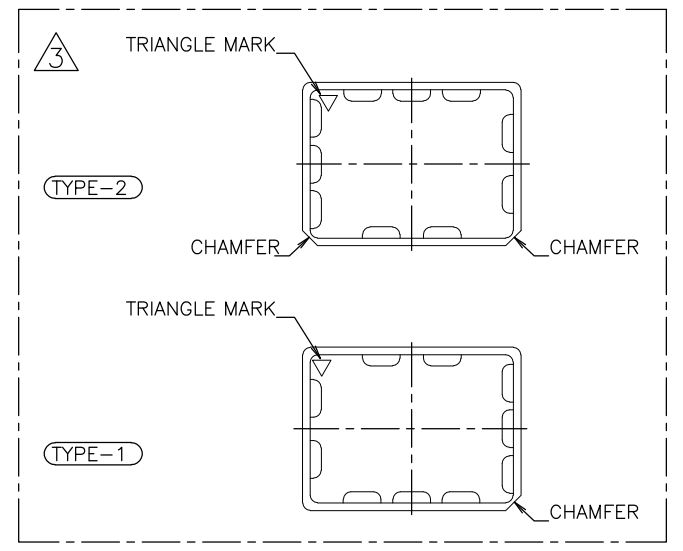


DETAIL C

⚠ TRAY TYPE-1 AND TYPE-2 MUST BE
 PILED UP BY TURNS.
 (REFER TO PACKING SPECIFICATIONS)



D-D
 (SCALE 2:1)

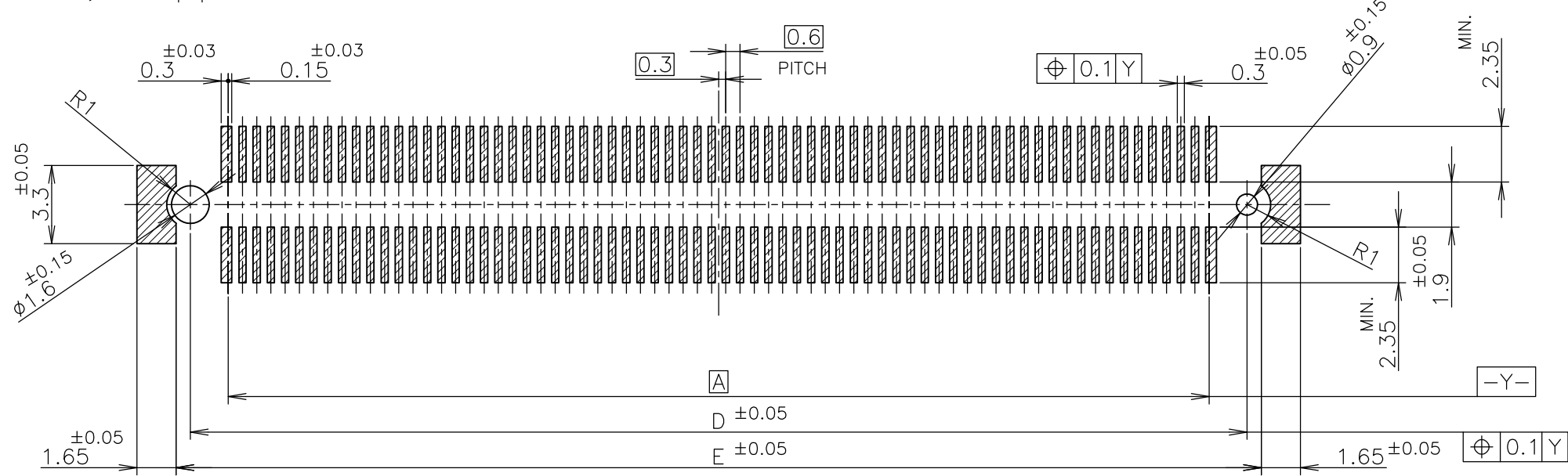
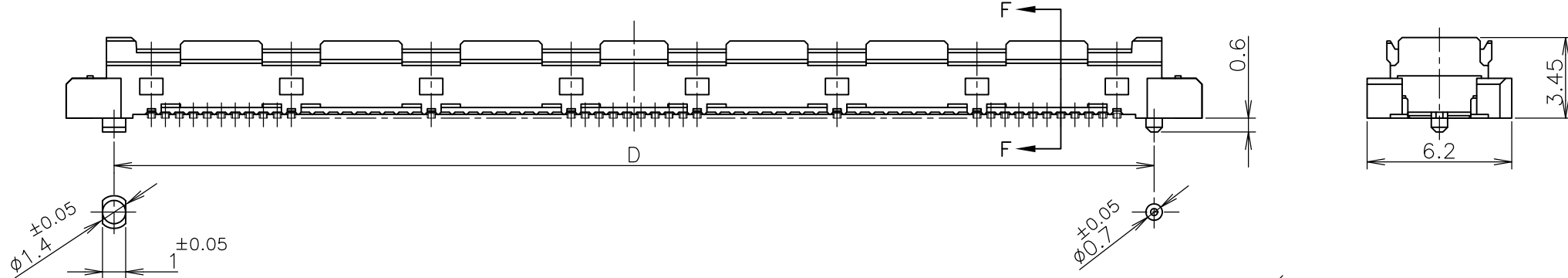
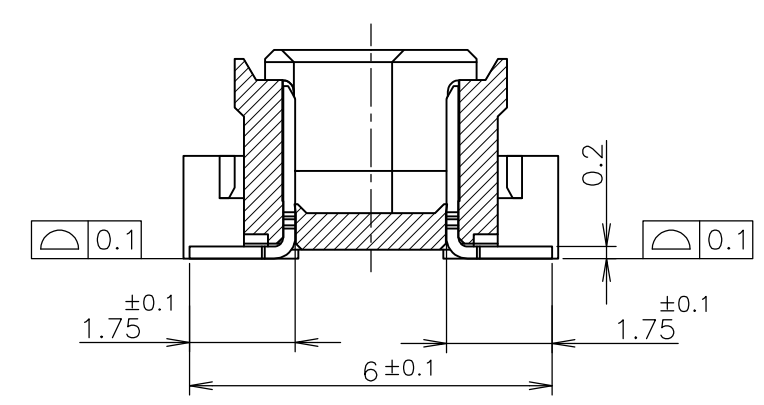
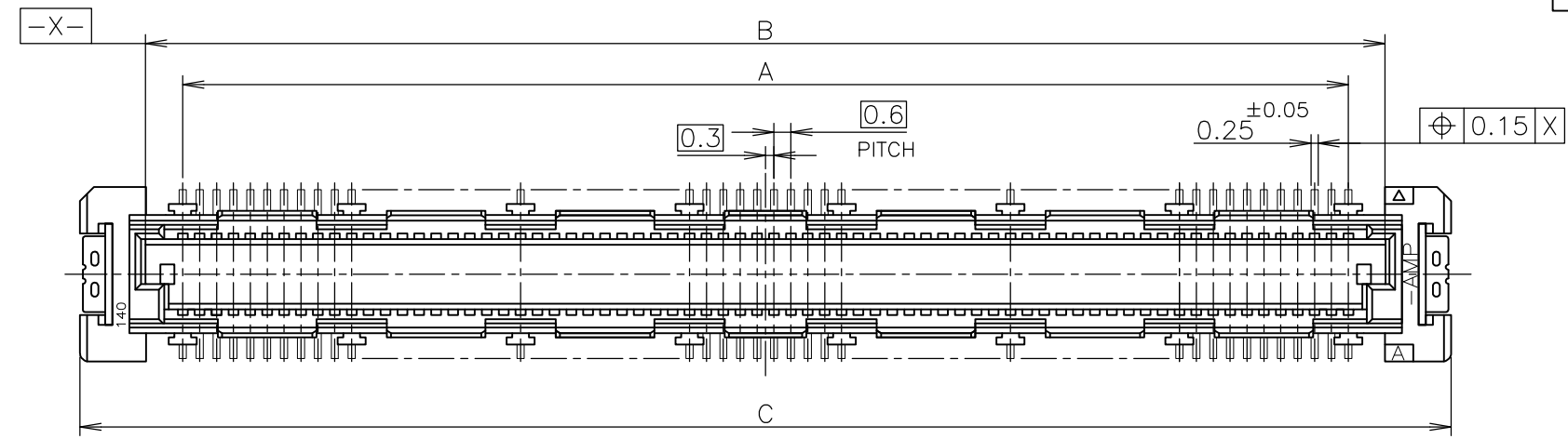


	SEALANT				NON SEALANT				SEALANT								
	NOT AVAILABLE	3	30	70	54.7	160	912063-9	6-5316135-1	NOT AVAILABLE	5	50	43	15.7	30	9-912066-3	5-5316135-1	
↑		↑	↑	↑	48.7	140	912063-8	6-	↑				42.7	120	4-912065-9	5-	↑
↓		↓	↓	↓	36.7	100	8-912066-2	5-					33.7	90	9-912066-6	5-	↑
		3	30	70	30.7	80	912067-3	5-					27.7	70	912063-1	5-	↑
		5	50	43	24.7	60	9-912066-5	5-					21.7	50	9-912062-9	5-	↑
					18.7	40	9-912066-4	5-	↓				15.7	30	9-912066-3	5-	↑
↑	NOT AVAILABLE	5	50	43	54.7	160	912063-9	1-5316135-1					48.7	140	912063-8	1-	↑
↓	AVAILABLE	↑	↑	↑	42.7	120	4-912065-9						36.7	100	8-912066-2		↑
	NOT AVAILABLE	↓	↓	↓	33.7	90	9-912066-6						30.7	80	912067-3		↑
	↑	3	30	70	27.7	70	912063-1						24.7	60	9-912066-5		↑
	NOT AVAILABLE	5	50	43	21.7	50	9-912062-9						18.7	40	9-912066-4		↑
	AVAILABLE	↑	↑	↑	15.7	30	9-912066-3						15.7	30	9-912066-3		↑
	NOT AVAILABLE				54.7	160	912063-9						48.7	140	912063-8		↑
	AVAILABLE	↑	↑	↑	42.7	120	4-912065-9						36.7	100	8-912066-2		↑
	NOT AVAILABLE	↓	↓	↓	33.7	90	9-912066-6						30.7	80	912067-3		↑
	↑	3	30	70	27.7	70	912063-1						24.7	60	9-912066-5		↑
	NOT AVAILABLE	5	50	43	21.7	50	9-912062-9						18.7	40	9-912066-4		↑
	AVAILABLE	↑	↑	↑	15.7	30	9-912066-3						15.7	30	9-912066-3		↑
	NOT AVAILABLE				54.7	160	912063-9						48.7	140	912063-8		↑
	AVAILABLE	↑	↑	↑	42.7	120	4-912065-9						36.7	100	8-912066-2		↑
	NOT AVAILABLE	↓	↓	↓	33.7	90	9-912066-6						30.7	80	912067-3		↑
	↑	3	30	70	27.7	70	912063-1						24.7	60	9-912066-5		↑
	NOT AVAILABLE	5	50	43	21.7	50	9-912062-9						18.7	40	9-912066-4		↑
	AVAILABLE	↑	↑	↑	15.7	30	9-912066-3						15.7	30	9-912066-3		↑

THIS DRAWING IS A CONTROLLED DOCUMENT.		DWN	HAWKING HE	21DEC04	Tyco Electronics Corporation Kawasaki, Japan		
DIMENSIONS: 单位: 耗 mm		CHK	STEVEN YAO	21DEC04			
TOLERANCES UNLESS OTHERWISE SPECIFIED: 一般公差		APVD	I.ENOMOTO	21DEC04	NAME 名称		
0 PLC ± 0.3		PRODUCT SPEC		SOFT TRAY ASSY			
1 PLC ± 0.3		製品規格		FH 0.6BTB CONNECTOR			
2 PLC ± 0.3		108-60047		PLUG 4H STD			
3 PLC ± 0.3		APPLICATION SPEC		SIZE	CAGE CODE	DRAWING NO	RESTRICTED TO
4 PLC ± 0.3		取付適用規格		A3	00779	G-5316135	
ANGLES ± 3'		FINISH 仕上		SCALE 尺度 1:2			
MATERIAL 材料		WEIGHT		SHEET 1 OF 2			
		CUSTOMER DRAWING		REV A			

THIS DRAWING IS UNPUBLISHED. RELEASED FOR PUBLICATION MAY, 1995.
 © COPYRIGHT 1995 BY TYCO ELECTRONICS CORPORATION. ALL RIGHTS RESERVED.

LOC	DIST	REVISIONS					
		P	LTR	DESCRIPTION	DATE	DWN	APVD
J		-		SEE SHEET 1	-	-	-



△ MATERIAL ; HOUSING : HIGH TEMP THERMO PLASTIC UL94V-0
 CONTACT : COPPER ALLOY
 △ FINISH ; UNDER PL Ni 0.0013mm MIN ALL OVER.
 CONTACTING AREA 0.0002 MIN Au PL.
 SOLDERING AREA 0.001 MIN TIN PL.

REFERENCE P.C.BOARD LAYOUT

AVAILABLE	51.8	50.6	54.7	50	47.4	160
AVAILABLE	45.8	44.6	48.7	44	41.4	140
NOT AVAILABLE	39.8	38.6	42.7	38	35.4	120
AVAILABLE	33.8	32.6	36.7	32	29.4	100
NOT AVAILABLE	30.8	29.6	33.7	29	26.4	90
NOT AVAILABLE	27.8	26.6	30.7	26	23.4	80
AVAILABLE	24.8	23.6	27.7	23	20.4	70
AVAILABLE	21.8	20.6	24.7	20	17.4	60
AVAILABLE	18.8	17.6	21.7	17	14.4	50
NOT AVAILABLE	15.8	14.6	18.7	14	11.4	40
NOT AVAILABLE	12.8	11.6	15.7	11	8.4	30
TOOLING STATUS	E	D	C	B	A	POS

THIS DRAWING IS A CONTROLLED DOCUMENT.		DWN	Tyco Electronics Corporation Kawasaki, Japan	
DIMENSIONS: 単位: 耗 mm		CHK	NAME 名称	
TOLERANCES UNLESS OTHERWISE SPECIFIED: 一般公差		APVD	SOFT TRAY ASSY FH 0.6BTB CONNECTOR PLUG 4H STD	
0 PLC ± 0.3		PRODUCT SPEC 製品規格	SIZE	CAGE CODE
1 PLC ± 0.3		APPLICATION SPEC 取付適用規格	A3	00779
2 PLC ± 0.3		WEIGHT	DRAWING NO 番号	RESTRICTED TO
3 PLC ± 0.3		CUSTOMER DRAWING	G-5316135	
4 PLC ± 0.3			SCALE 尺度 4:1	SHEET 2 OF 2
ANGLES ± 3'			REV A	
FINISH 仕上				