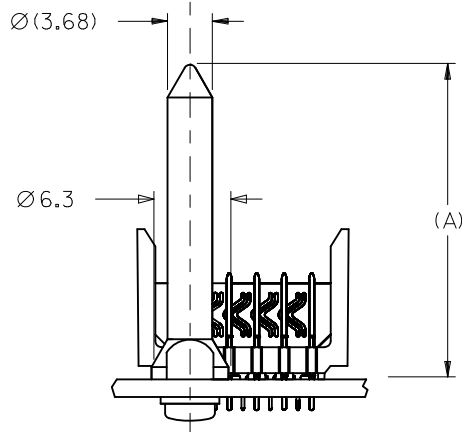


BACKPLANE HOLE PATTERN
FREE STAND GUIDE PIN

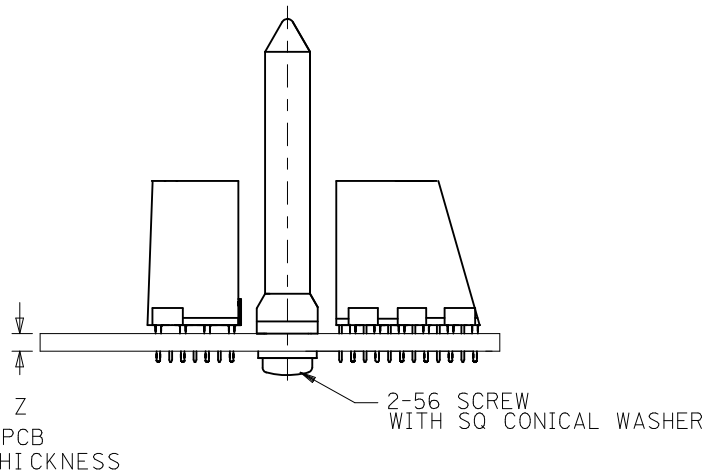
KIT NUMBER	DIM Z BOARD THICKNESS	DIM A
74076-0001	1.8-4.0	25.8
74076-0002	>4.0-9.00	25.8
74076-0005	1.8-4.0	19.9
74076-0006	>4.0-9.00	19.9
74076-0010	1.8-4.0	15.9

NOTES:

1. STANDARD BULK PACK, 500 PER BAG.
2. PACKAGE SCREWS AND GUIDE SEPARATE.
3. 74076-0010 STAND ALONE TO BE USED ONLY WITH GUIDE MODULE 74037-0036.

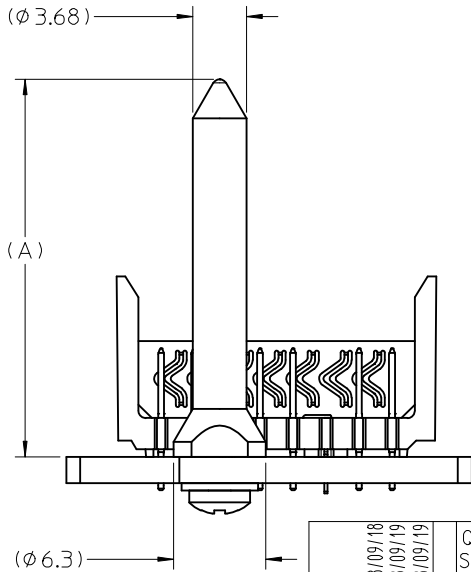
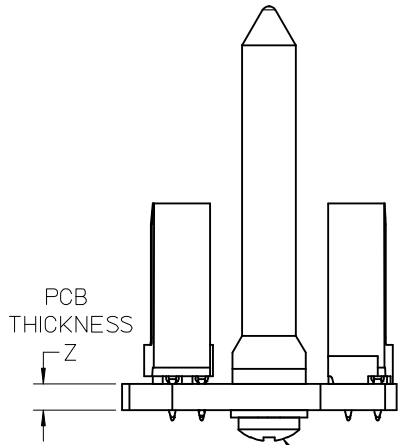
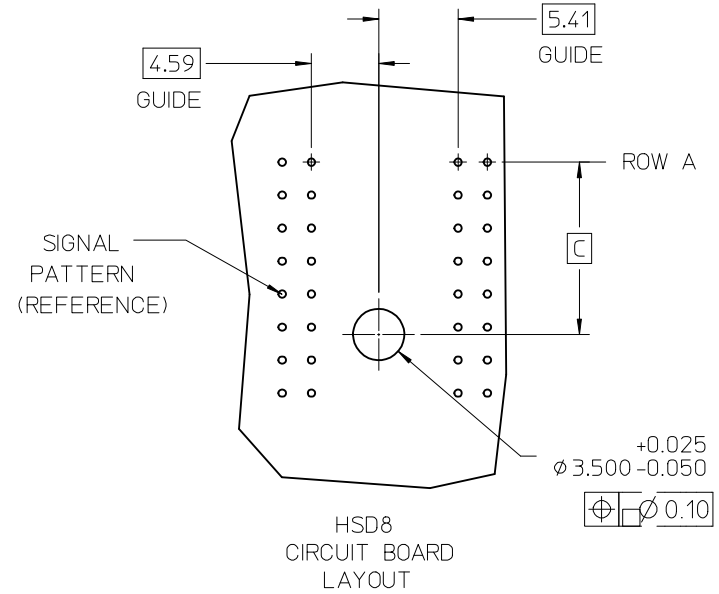
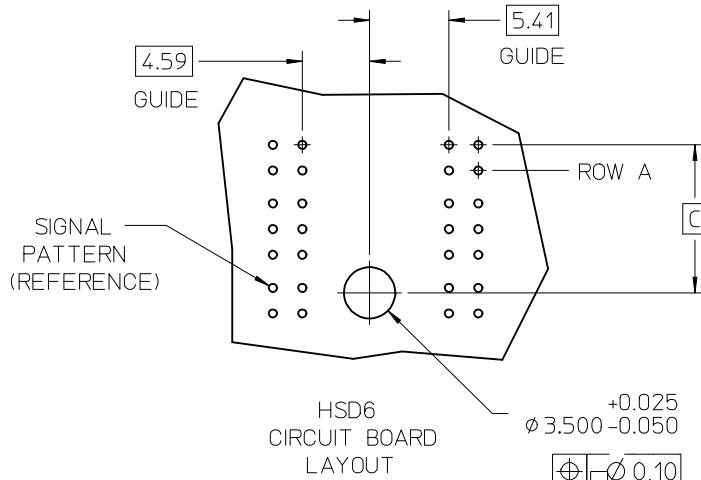
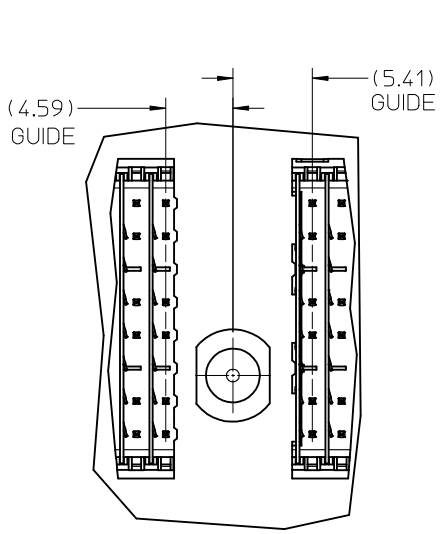


SEE NOTE 3



MATE WITH		DIM C
VHDM 6 ROW	GUIDE MODULE	9.96
	GROUND MODULE	9.26
	JOINER MODULE	9.26
VHDM 8 ROW	GUIDE MODULE	11.75
	GROUND MODULE	11.75
	JOINER MODULE	11.75

ADD -0010 P/N EC NO: UCP2011-1920 DRWN: JMELTON 2010/09/27 CHKD: SDANNELLEY 2010/09/27 APPR: SMILLER 2011/04/29 REV	QUALITY SYMBOLS $\nabla Z=0$ $\nabla E=0$ $\nabla F=0$	GENERAL TOLERANCES (UNLESS SPECIFIED) mm INCH 4 PLACES \pm --- \pm --- 3 PLACES \pm --- \pm --- 2 PLACES \pm 0.10 \pm --- 1 PLACE \pm 0.15 \pm --- ANGULAR \pm 3°	DIMENSION STYLE MM ONLY DRAWN BY DATE JMELTON 2010/09/27 CHECKED BY DATE JLAURX 2000/03/20 APPROVED BY DATE SMILLER 2011/04/29	SCALE DESIGN UNITS METRIC THIRD ANGLE PROJECTION	TITLE VHDM BACKPLANE FREE STANDING GUIDE PIN OPEN ENDS SALES DRAWING molex MOLEX INCORPORATED DOCUMENT NO. SD-74076-002 SHEET NO. 1 OF 1		
		DRAFT WHERE APPLICABLE MUST REMAIN WITHIN DIMENSIONS		MATERIAL NO. SEE TABLE			
				SIZE B	THIS DRAWING CONTAINS INFORMATION THAT IS PROPRIETARY TO MOLEX INCORPORATED AND SHOULD NOT BE USED WITHOUT WRITTEN PERMISSION		



KIT NUMBER	DIM Z BOARD THICKNESS	DIM A
74076-0001	1.8 - 4.0	25.8
74076-0002	>4.0 - 9.0	25.8
74076-0005	1.8 - 4.0	19.9
74076-0006	>4.0 - 9.0	19.9

MATE WITH		DIM C
HSD 6	GUIDE MODULE	10.09
	GROUND MODULE	9.39
	JOINER MODUEL	9.39
HSD 8	GUIDE MODULE	11.75
	GROUND MODULE	11.75
	JOINER MODULE	11.75

- NOTES:
1. PARTS TO BE BULK PACKED, 500 PER BAG.
2. SCREWS & GUIDE PINS PACKAGED SEPARATELY.

ADD PARTS	DESCRIPTION
EC NO: UCP2009-0672	
DRWN: JBINGHAM	
CHKD: 2008/09/19	
APPR: JLAURX	
2008/09/19	
REV B	

QUALITY SYMBOLS	$\nabla=0$
	$\nabla=0$

GENERAL TOLERANCES (UNLESS SPECIFIED)	
mm	INCH
4 PLACES \pm ---	\pm ---
3 PLACES \pm ---	\pm ---
2 PLACES \pm 0.10	\pm ---
1 PLACE \pm 0.15	\pm ---
ANGULAR \pm ---	
DRAFT WHERE APPLICABLE MUST REMAIN WITHIN DIMENSIONS	

DIMENSION STYLE	
MM ONLY	
DRAWN BY	DATE
JBINGHAM	2007/03/28
CHECKED BY	DATE
SREED	2007/03/28
APPROVED BY	DATE
SREED	2007/03/28
MATERIAL NO.	
SEE CHART	
SIZE B	

SCALE 3:1	DESIGN UNITS METRIC	THIRD ANGLE PROJECTION
TITLE		
HSD BACKPLANE FREE STANDING GUIDE PIN SALES DRAWING		
MOLEX INCORPORATED		SHEET NO. 1 OF 1
DOCUMENT NO. SD-74076-005		
THIS DRAWING CONTAINS INFORMATION THAT IS PROPRIETARY TO MOLEX INCORPORATED AND SHOULD NOT BE USED WITHOUT WRITTEN PERMISSION		