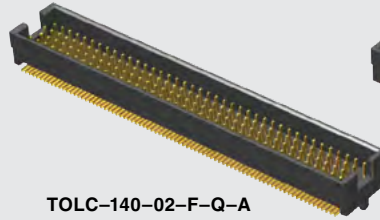




TOLC-120-12-F-Q-LC



TOLC-140-02-F-Q-A



TOLC-120-02-L-Q-LC



**TOLC SERIES**

(1.27 mm) .050"

# QUAD ROW SMT TERMINAL

## SPECIFICATIONS

For complete specifications and recommended PCB layouts see [www.samtec.com?TOLC](http://www.samtec.com?TOLC)

- Insulator Material:** Black Liquid Crystal Polymer
- Terminal Material:** Phosphor Bronze
- Plating:** Au over 50 μ" (1.27 μm) Ni
- Current Rating:** 2.4 A per pin (6 adjacent pins powered)
- Operating Temp Range:** -55 °C to +125 °C
- RoHS Compliant:** Yes

Mates with:  
**SOLC**

## PROCESSING

- Lead-Free Solderable:** Yes
- SMT Lead Coplanarity:** (0.10 mm) .004" max (05-30) (0.15 mm) .006" max (35-50)

## RECOGNITIONS

For complete scope of recognitions see [www.samtec.com/quality](http://www.samtec.com/quality)

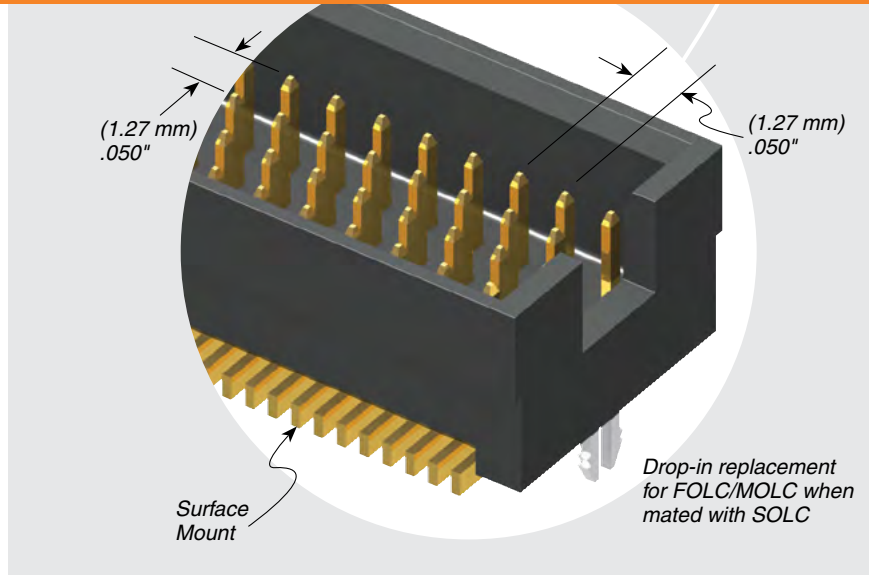


## OTHER SOLUTIONS

- For Micro Rugged, see the MOLC/FOLC pages located in the Tiger Eye™ section.

## ALSO AVAILABLE (MOQ Required)

- Other sizes
  - Other platings
- Contact Samtec.



05, 10, 15, 20, 25, 30, 35, 40, 45, 50  
(Standard sizes)

Specify LEAD STYLE from chart

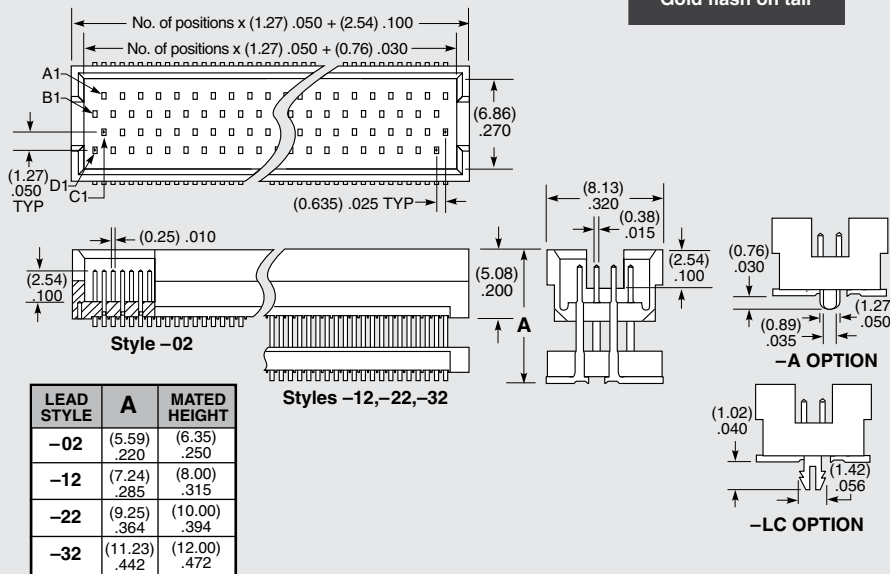
- F = Gold flash on post, Gold flash on tail
- L = 10 μ" (0.25 μm) Gold on post, Gold flash on tail

-A = Alignment Pin (Not available with -LC)

-LC = Locking Clip (Not available with -A) (Manual placement required)

-K = (9.00 mm) .354" DIA Polyimide film Pick & Place Pad

-TR = Tape & Reel



Note: Some sizes, styles and options are non-standard, non-returnable.