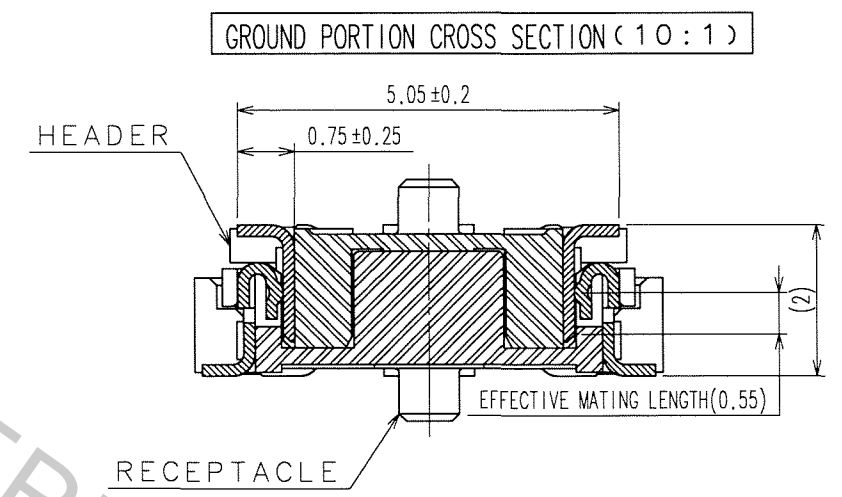
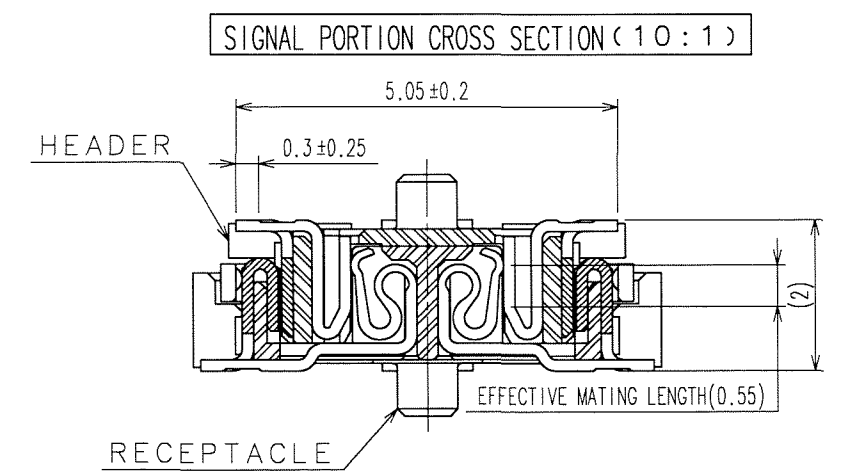
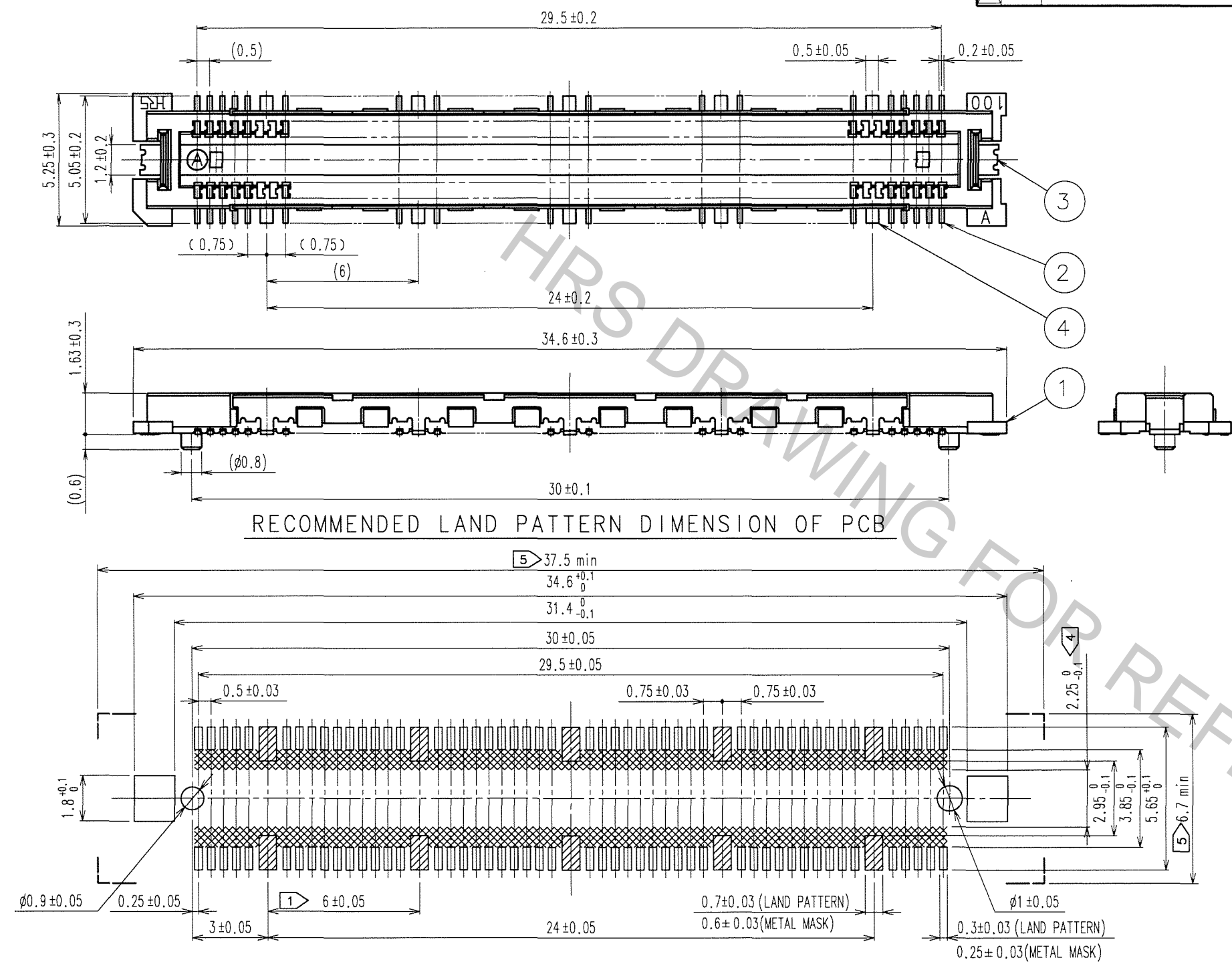


Apr.1.2017 Copyright 2017 HIROSE ELECTRIC CO., LTD. All Rights Reserved.

COUNT	DESCRIPTION OF REVISIONS	BY	CHKD	DATE	COUNT	DESCRIPTION OF REVISIONS	BY	CHKD	DATE



RECOMMENDED LAND PATTERN DIMENSION OF PCB

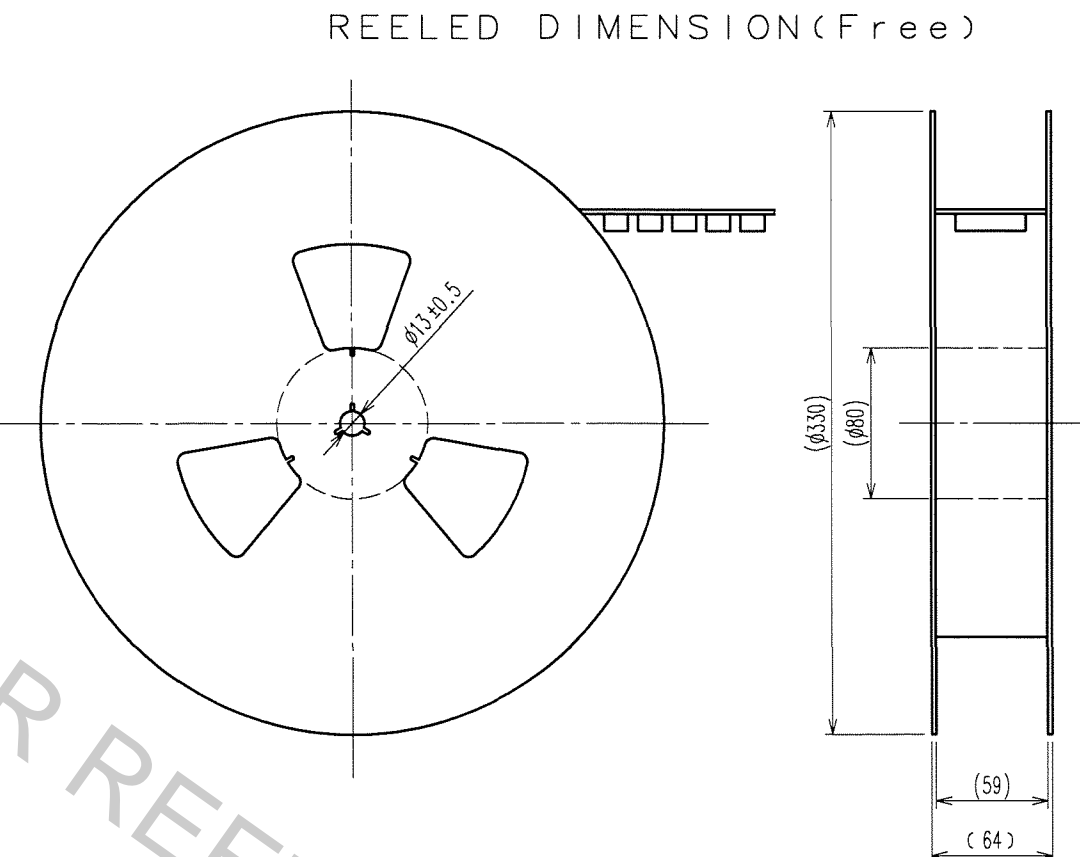
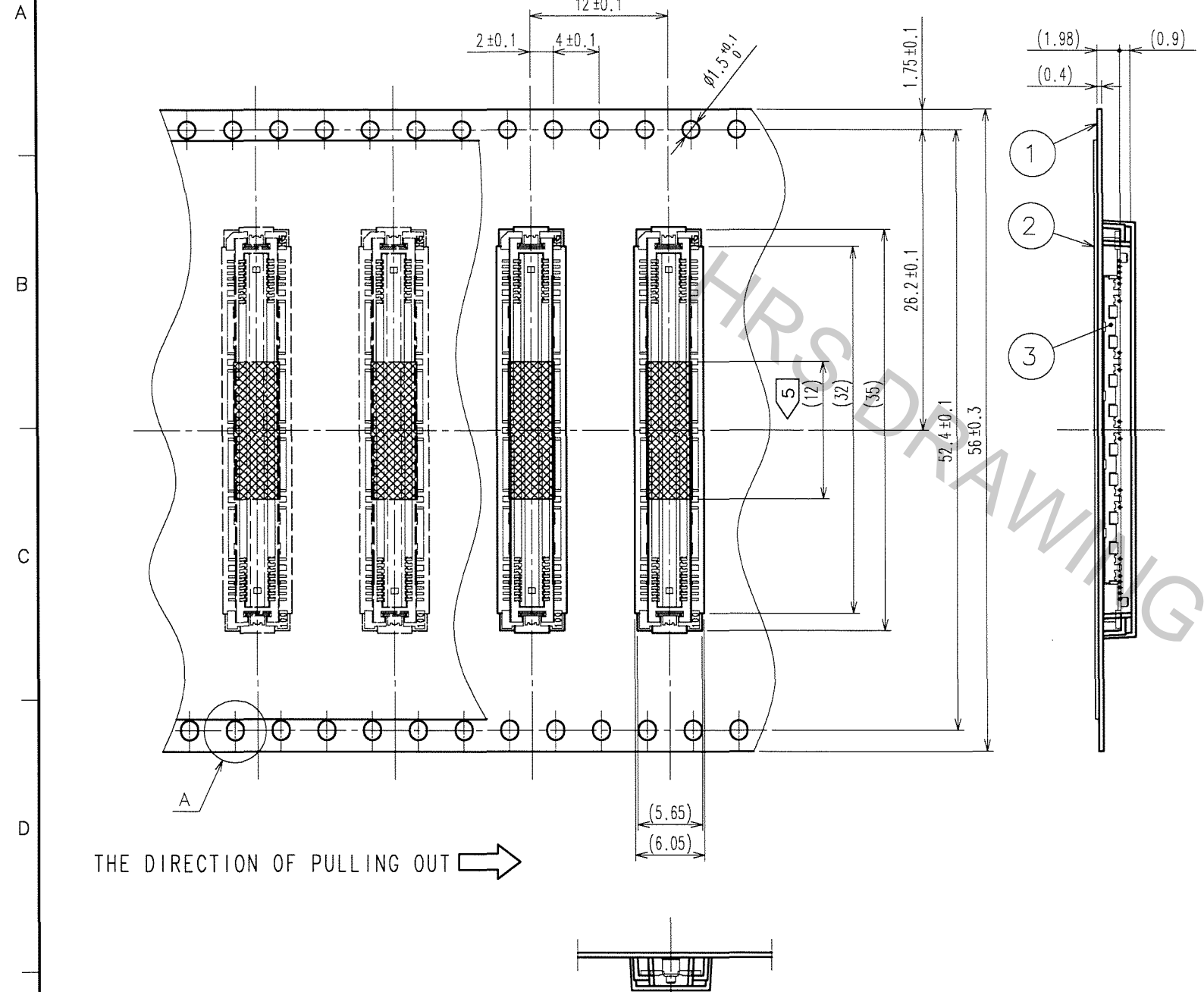
- NOTES
- 10 HATCHED PARTS:GROUND CIRCUIT.
 - SMT LEAD-COPLANARITY:0.1 MAX.
 - THIS PRODUCT HAS NO POLARITY TO PATTERN FOR MOUNTING.
 - MAKE SURE WIDTH OF PATTERN IS WITHIN THAT OF LAND ,OR LEAD MAY TOUCH PATTERN.(THIS APPLIES TO HATCHED AREA.)
 - DO NOT MOUNT OTHER DEVICES ONTO AREA ,OR MATING PAIR CANNOT BE MATED.
 - TO BE EMBOSSED CARRIER TAPED AS SPECIFIED IN SHEET 2.
 - THE DIMENSIONS IN PARENTHESES ARE FOR REFERENCE.

TO
PCK

1	LCP	BEIGE	UL94V-0	4	PHOSPHOR BRONZE	TIN PLATING
NO.	MATERIAL	FINISH, REMARKS	NO.	MATERIAL	FINISH, REMARKS	
CODE NO.(OLD)	CL		NO.	MATERIAL	FINISH, REMARKS	
			2	COPPER ALLOY	CONTACT AREA : GOLD 0.1μm min. LEAD AREA : GOLD FLASH UNDER PLATING : NICKEL 1μm min.	
DRAWN	DESIGNED	CHECKED	APPROVED	RELEASED		
S.KAMIGA	<i>H. Nakamura</i>	<i>M. Ozawa</i>	<i>H. Kawa</i>			
06.09.25	06.09.25	06.09.26	06.09.26			
DRAWING NO.	EDC3-152094-22	PART NO.	FX11LA-100P/10-SV(92)			
SCALE	5:1	CODE NO.	CL573-0004-2-92			
UNITS	mm					1/2

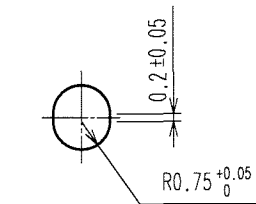
Apr.1.2017 Copyright 2017 HIROSE ELECTRIC CO., LTD. All Rights Reserved.

COUNT	DESCRIPTION OF REVISIONS	BY	CHKD	DATE	COUNT	DESCRIPTION OF REVISIONS	BY	CHKD	DATE

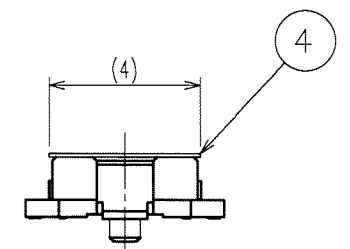


THE DIRECTION OF PULLING OUT →

A (5:1)



DETAIL FOR VACUUM PICKUP (5:1)



- NOTES
- 1 REEL:1000 CONNECTORS.
 - 2 MINIMUM 10 COMPARTMENTS FROM BOTH REEL ENDS REMAIN EMPTY.
 - 3 THIS PRODUCT HAS NO POLARITY TO TAPE AND REEL PACKAGING.
 - 4 THE DIMENSIONS IN PARENTHESES ARE FOR REFERENCE.
 - 5 REMOVE THE VACUUM PICKUP TAPE AFTER MOUNTING THE CONNECTOR.

2	PET	(TOP COVER TAPE)	4	POLYIMIDE	(TAPE FOR VACUUM PICKUP)
1	PS	(EMBOSSED CARRIER TAPE)	3		(CONNECTOR)
NO.	MATERIAL	FINISH, REMARKS	NO.	MATERIAL	FINISH, REMARKS

CODE NO. (OLD) CL	DRAWN S.KAMIGA 06.09.25	DESIGNED <i>K. Nakamura</i> 06.09.25	CHECKED <i>K. Ogawa</i> 06.09.26	APPROVED <i>H. Okawa</i> 06.09.26	RELEASED
----------------------	-------------------------------	--	--	---	----------

SCALE 2 : 1	DRAWING NO. EDC3-152094-22	PART NO. FX11LA-100P/10-SV(92)
UNITS mm	HRS HIROSE ELECTRIC CO., LTD.	CODE NO. CL573-0004-2-92

TO
PCK